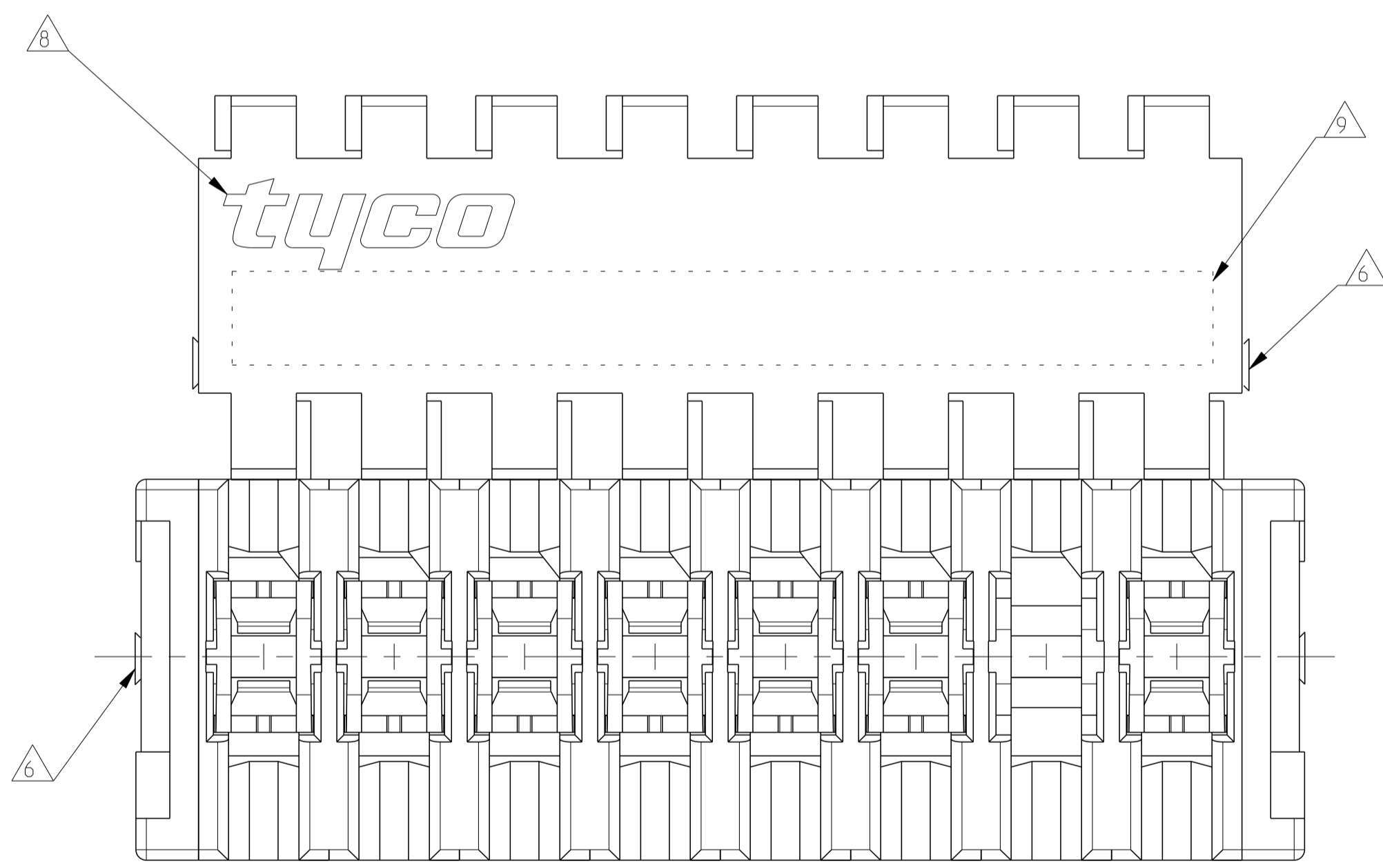
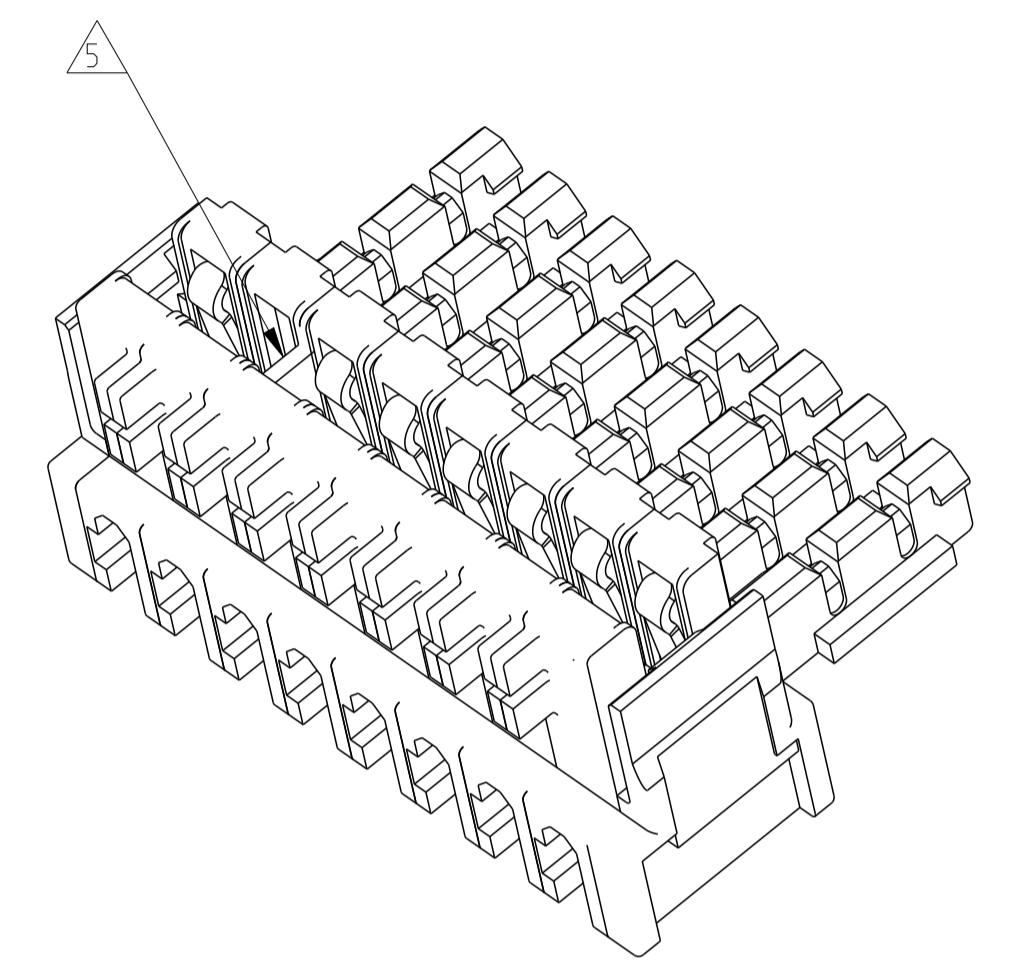
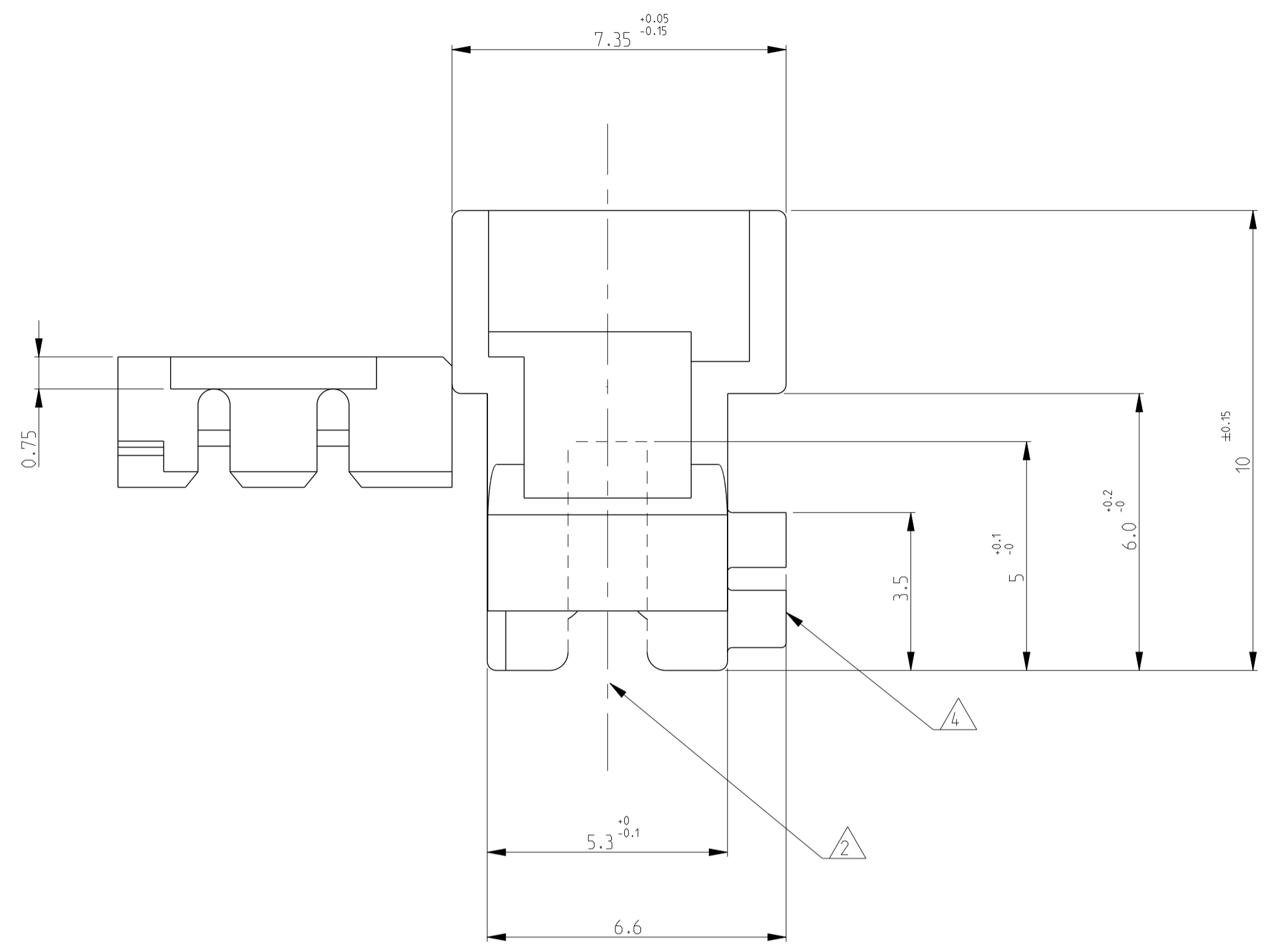
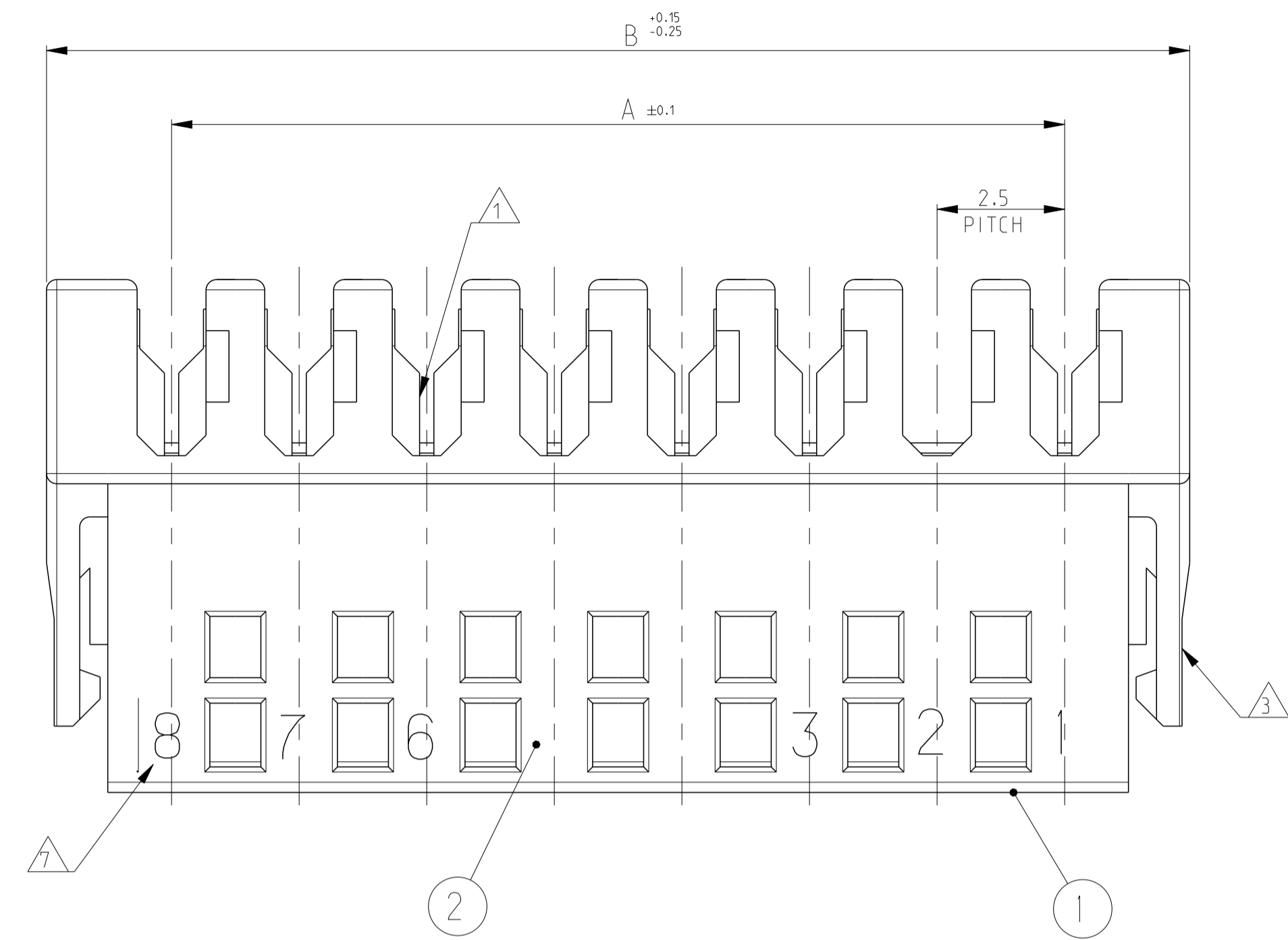


REVISIONS					
P.	LTA	DESCRIPTION	DATE	OWN	APVD
B13		ECR-18-003301	15MAR2018	KD	RR
B14		ECR-18-005521	12APR2018	LZ	RR



- ① WIRE RANGE : STRANDED 0.22-0.35 mm<sup>2</sup> (INS. DIA. 1.30±0.1)
- ② MATING PART: P.C.B. EDGE, DOUBLE SIDE, THK 1.5 (COPPER CLADDING INCLUDED)
- ③ SIDE LOCKING DEVICE
- ④ KEYING RIBS TO BE REMOVED BY TERMINATION MACHINE
- ⑤ POLARIZATION RIBS BETWEEN CAVITIES
- ⑥ CUT OFF DIMENSION DUE TO PRODUCTION PROCESS
- ⑦ CIRCUIT No. IDENTIFICATION
- ⑧ TE TRADEMARK (OPTIONAL POSITION)
- ⑨ TAMPOGRAPHIC COLOUR CODE AREA (P/Ns IDENTIFICATION BEFORE CRIMPING AREA)
- ⑩ FOR PCB LAYOUT, SEE SHEET 2  
FOR CONNECTION VIEW LAYOUT, SEE SHEET 2
- ⑪ PRELIMINARY NOT YET RELEASED FOR PRODUCTION
- ⑫ PBT GF
- ⑬ PBT GF, UL94-V0 & GWEPT 750 NO-FLAME, NATURAL

COLOUR CODE	POLARIZ. RIB POS.	CONTACT LOADING	HSG POS.	DIM.A	DIM.B	TE P/N	TE P/N
GREEN	13/14	SELECTIVELY 1.3,4,6,8,9,10,11,12,13,14	14	32.5	37.4	5-284866-4	1-2311508-4
BLUE		SELECTIVELY 1.3,4,6,11,12,13,14				1-284866-4	2311508-4
BLUE	2/3	SELECTIVELY 1.3,4,6,7,9,11,12	12	27.5	32.4	1-284866-2	2311508-2
OBSOLETE	2/3	SELECTIVELY 1.2,3,4,5,6,7,8,10	10	22.5	27.4	1-284866-0	-
GRAY	3/4	SELECTIVELY 1.3,4,6,8,9				7-284866-9	8-2311507-9
RED	4/5	SELECTIVELY 1-2,4-6-8-9				8-284866-9	7-2311507-9
-		SELECTIVELY 1,2,4,6,8,9				9-284866-9	/
GREEN		SELECTIVELY 1,2,4,6,7,9	9	20.0	24.9	1-284866-9	6-2311507-9
BLACK		SELECTIVELY 1,3,5,7,8,9				6-284866-9	5-2311507-9
ORANGE	2/3	SELECTIVELY 1,2,3,5,7,9				5-284866-9	4-2311507-9
BROWN		SELECTIVELY 1,3,4,6,8,9				4-284866-9	3-2311507-9
RED		SELECTIVELY 1,3,5,6,7,9				3-284866-9	2-2311507-9
GREEN		SELECTIVELY 1,3,4,5,6,7,8,9				2-284866-9	1-2311507-9
BLUE		SELECTIVELY 1,3,4,6,7,9				0-284866-9	2311507-9
BROWN		SELECTIVELY 1,2,3,4,6,8				4-284866-8	3-2311507-8
RED	2/3	SELECTIVELY 1,3,5,6,7,8	8	17.5	22.4	3-284866-8	2-2311507-8
GREEN		SELECTIVELY 1,3,4,5,6,7,8				2-284866-8	1-2311507-8
BLUE		SELECTIVELY 1,3,4,6,7,8				0-284866-8	2311507-8
BLUE		SELECTIVELY 1,3,5,7				1-284866-7	1-2311507-7
BLUE	2/3	SELECTIVELY 1,3,5,6,7	7	15.0	19.9	0-284866-7	2311507-7
BLACK	2/3	SELECTIVELY 1,3,4,6				4-284866-6	2-2311507-6
GREEN	4/5	SELECTIVELY 1,2,4,6	6	12.5	17.4	2-284866-6	1-2311507-6
BLUE	2/3	SELECTIVELY 1,3,5,6				0-284866-6	2311507-6
ORANGE	1/2	SELECTIVELY 3,4,5				4-284866-5	3-2311507-5
GREEN		SELECTIVELY 1,2,3,5				3-284866-5	2-2311507-5
BLUE	3/4	SELECTIVELY 1,3,4,5	5	10.0	14.9	2-284866-5	1-2311507-5
RED	2/3	SELECTIVELY 2,4				0-284866-5	2311507-5
GREEN	N/A	SELECTIVELY 1,2,4	4	7.5	12.4	2-284866-4	2311507-4
GREEN	1/2	SELECTIVELY 1,3	3	5.0	9.9	2-284866-3	1-2311507-3
BLUE	2/3	SELECTIVELY 1,3				0-284866-3	2311507-3

P/N 2-284866-8 AS SHOWN

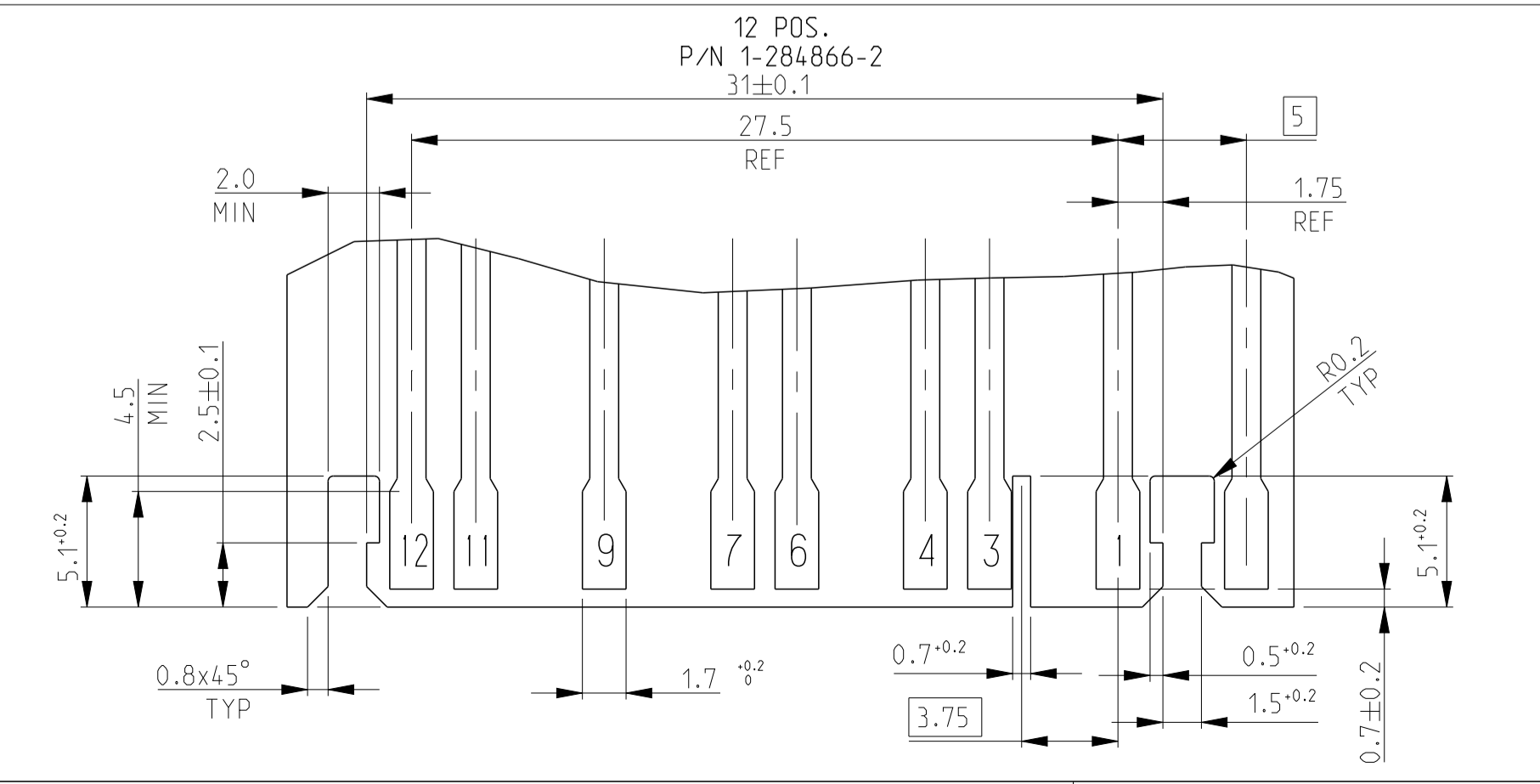
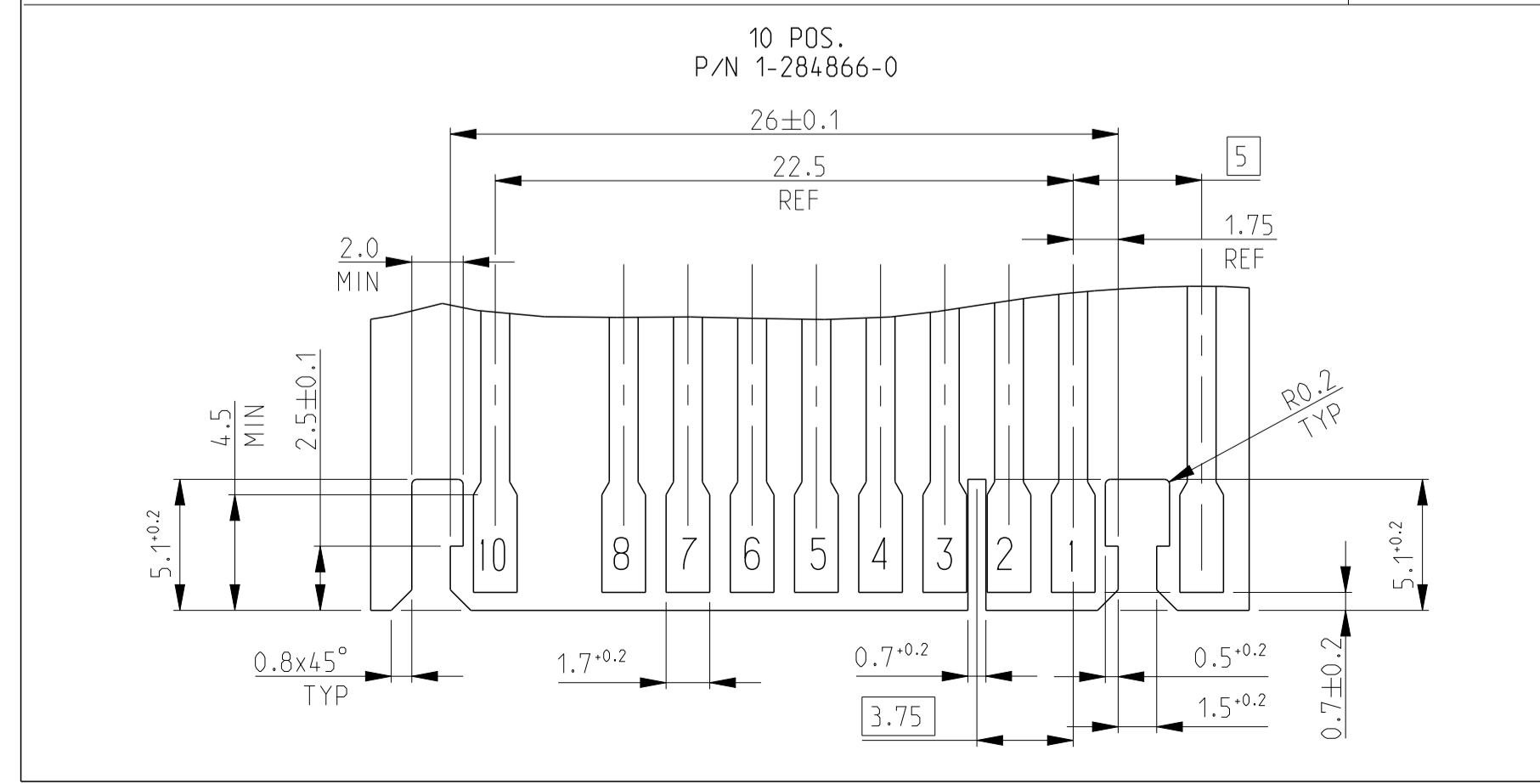
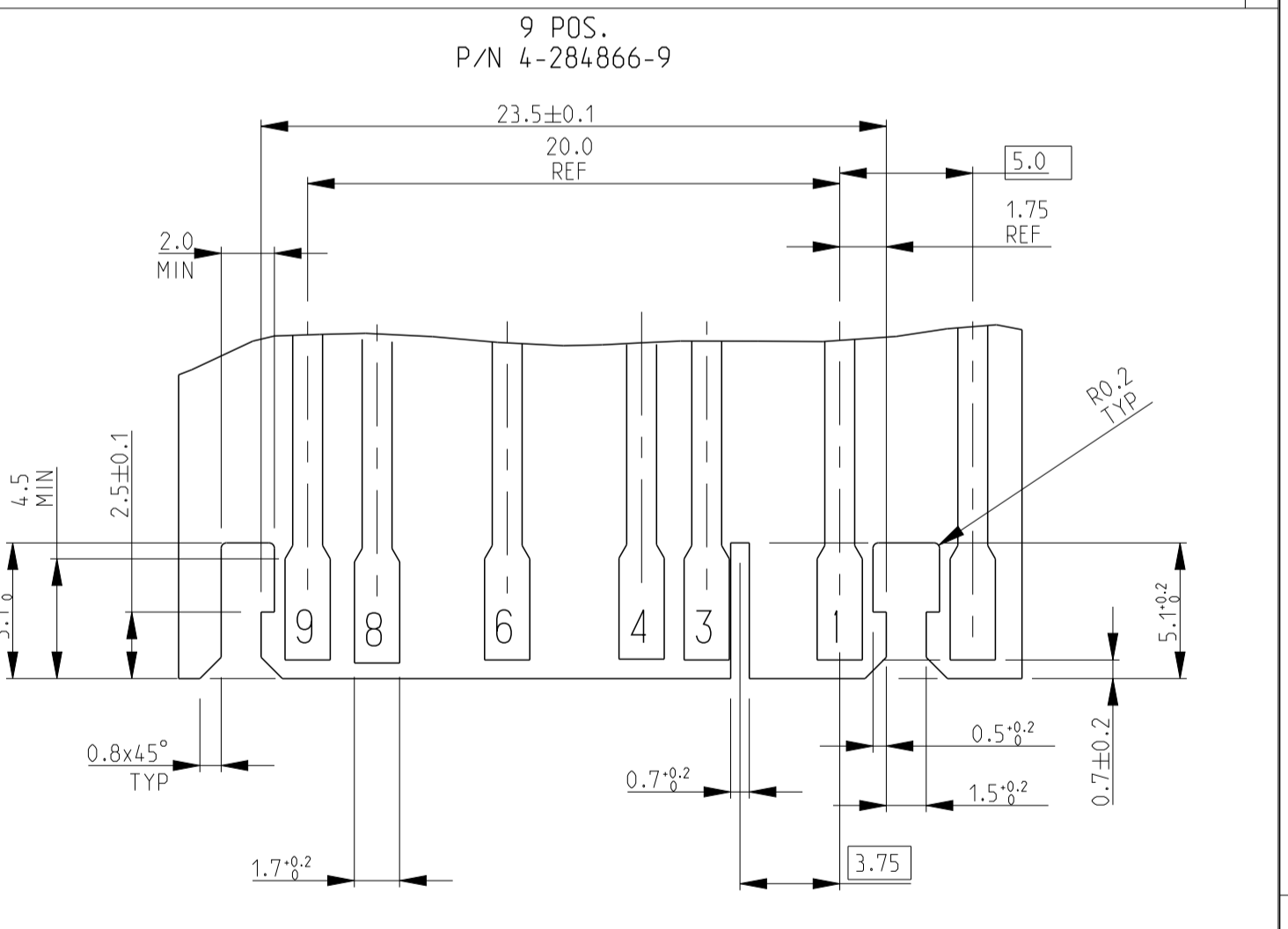
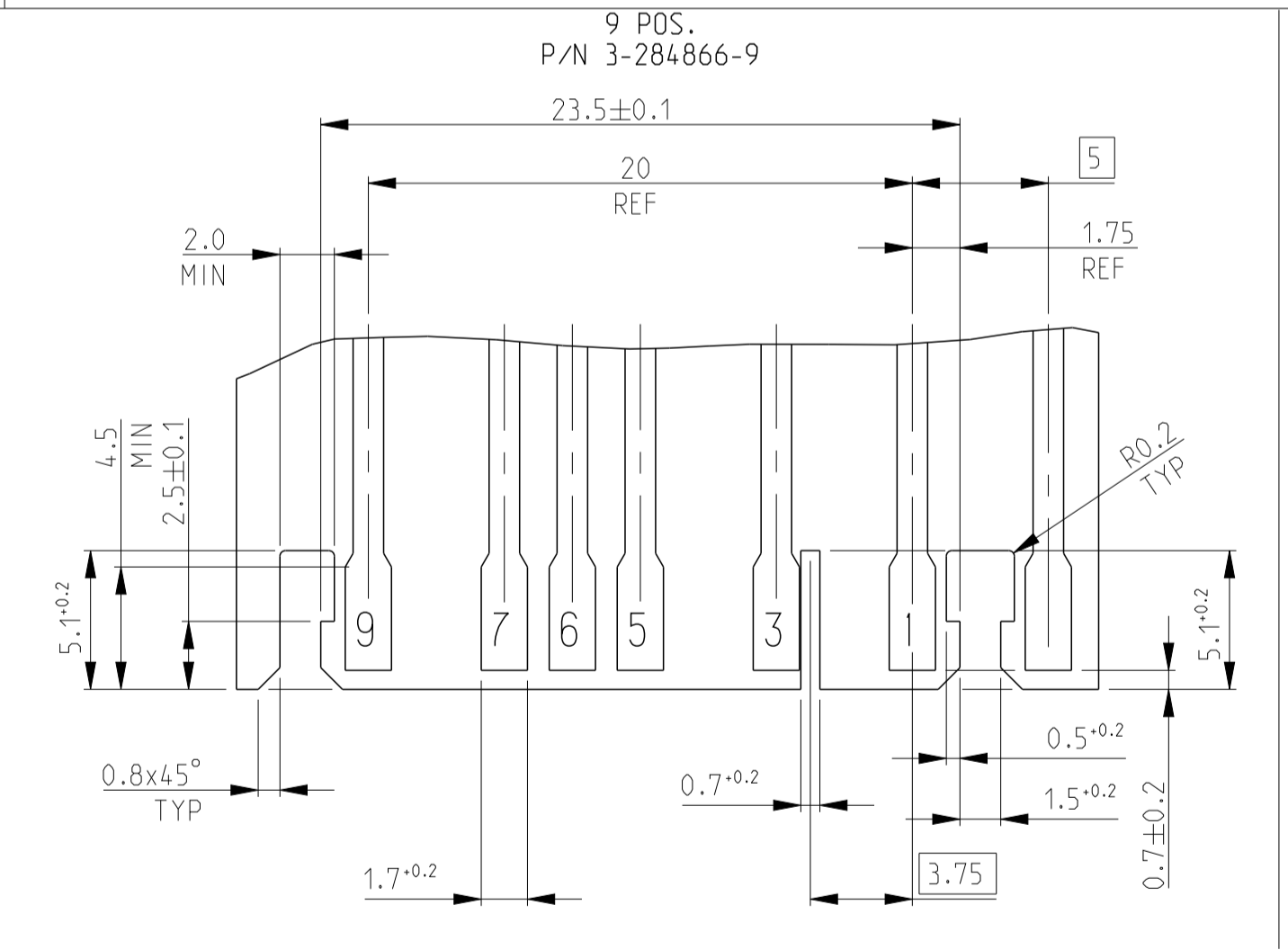
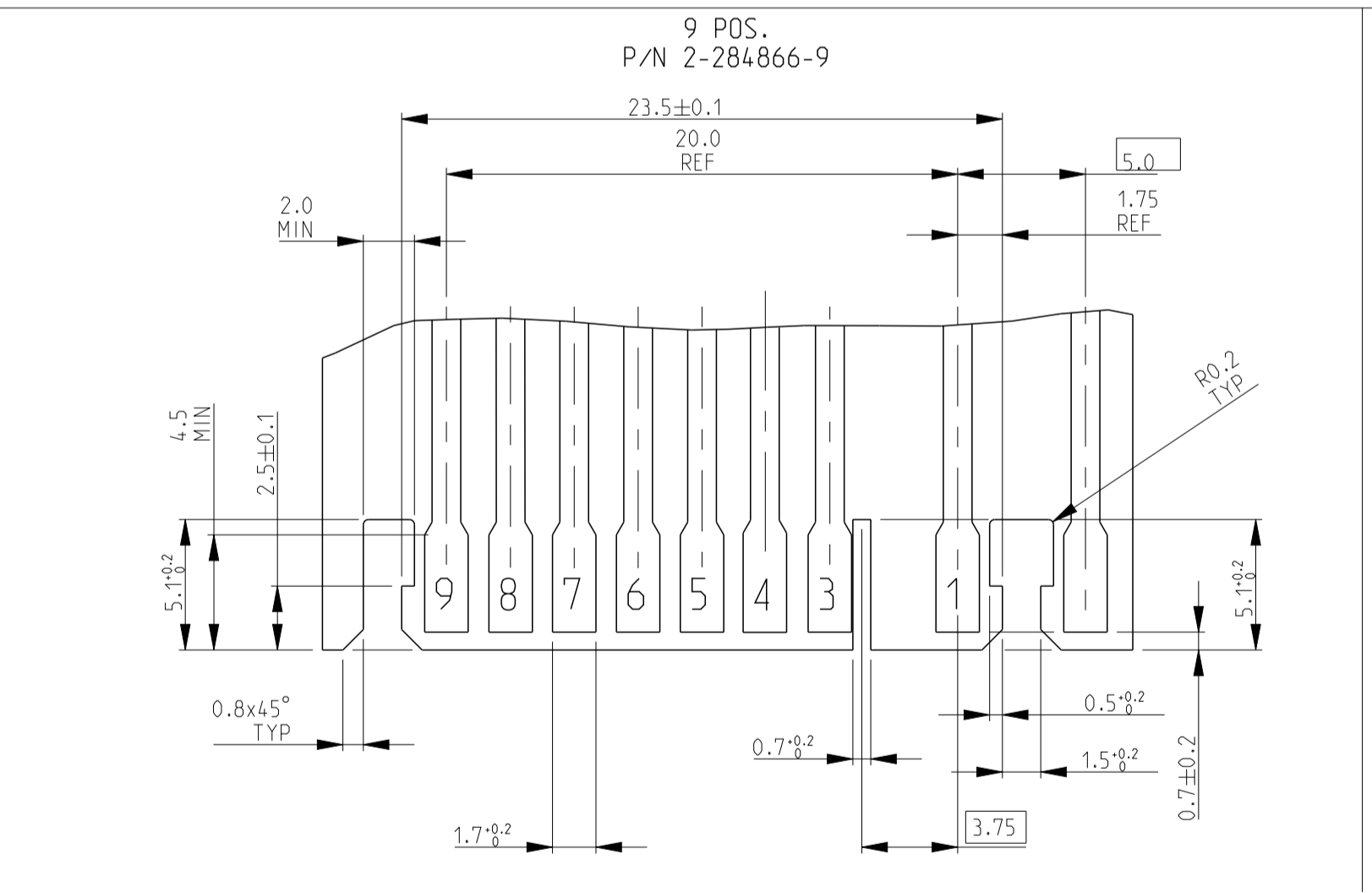
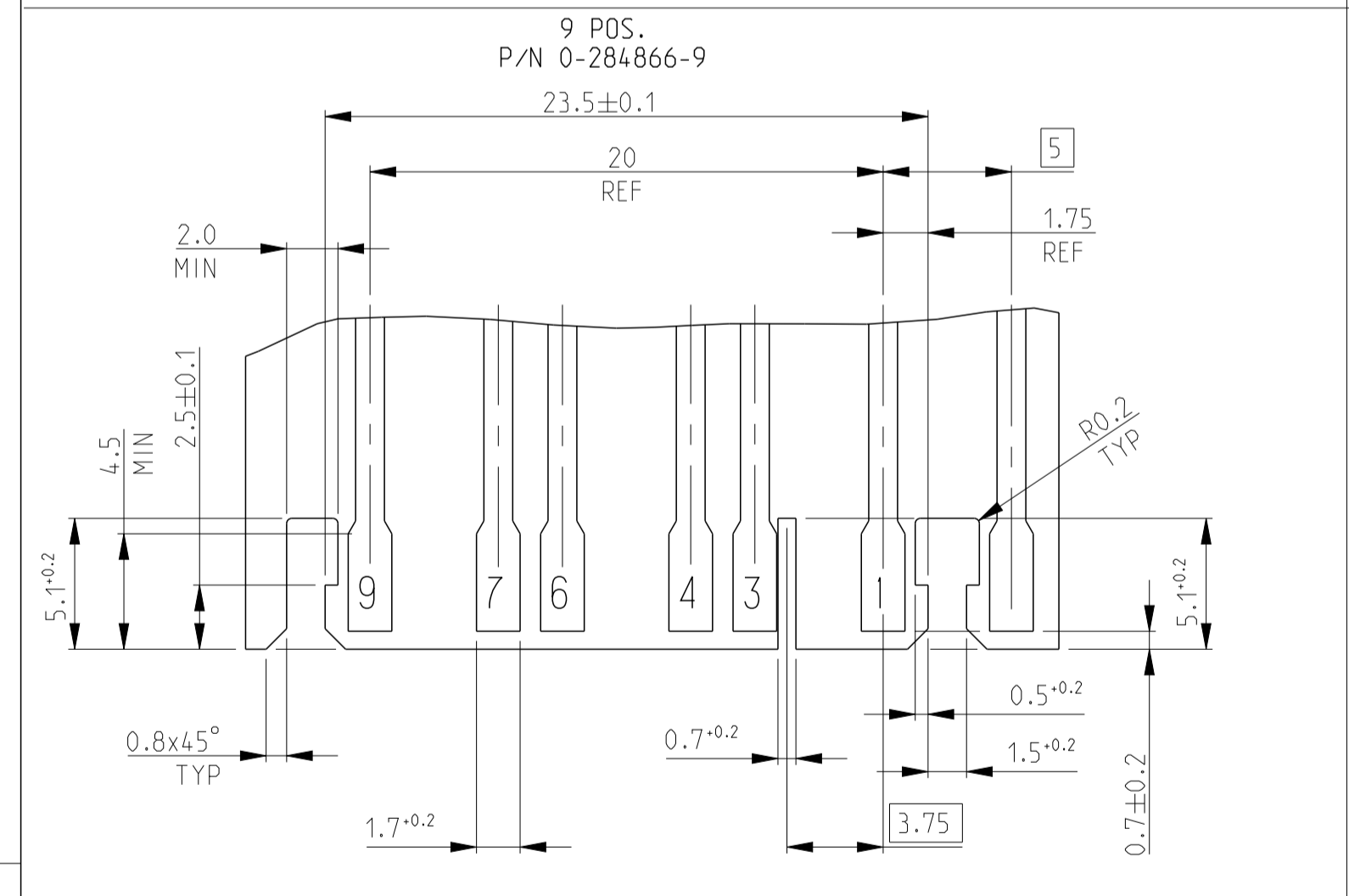
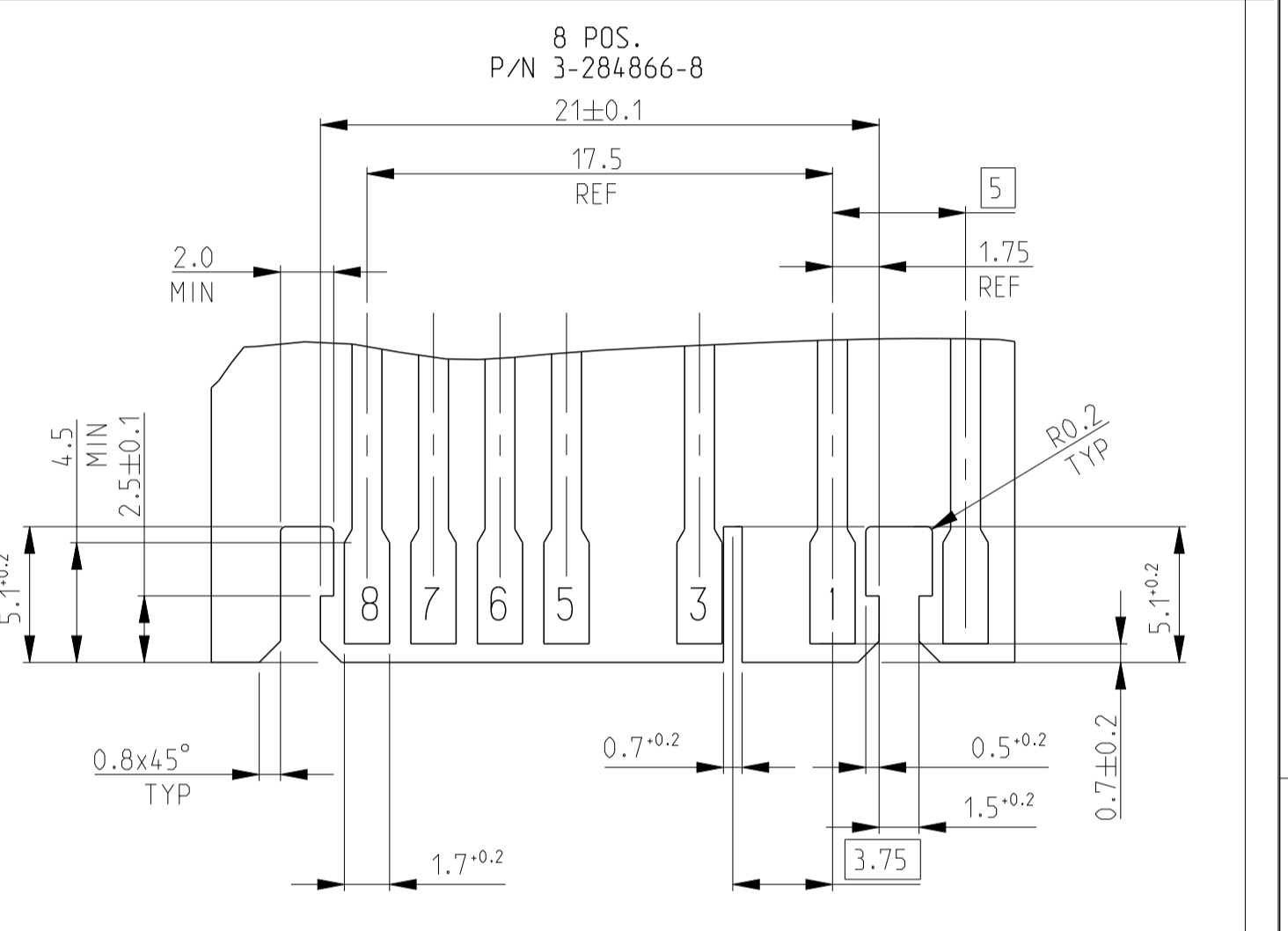
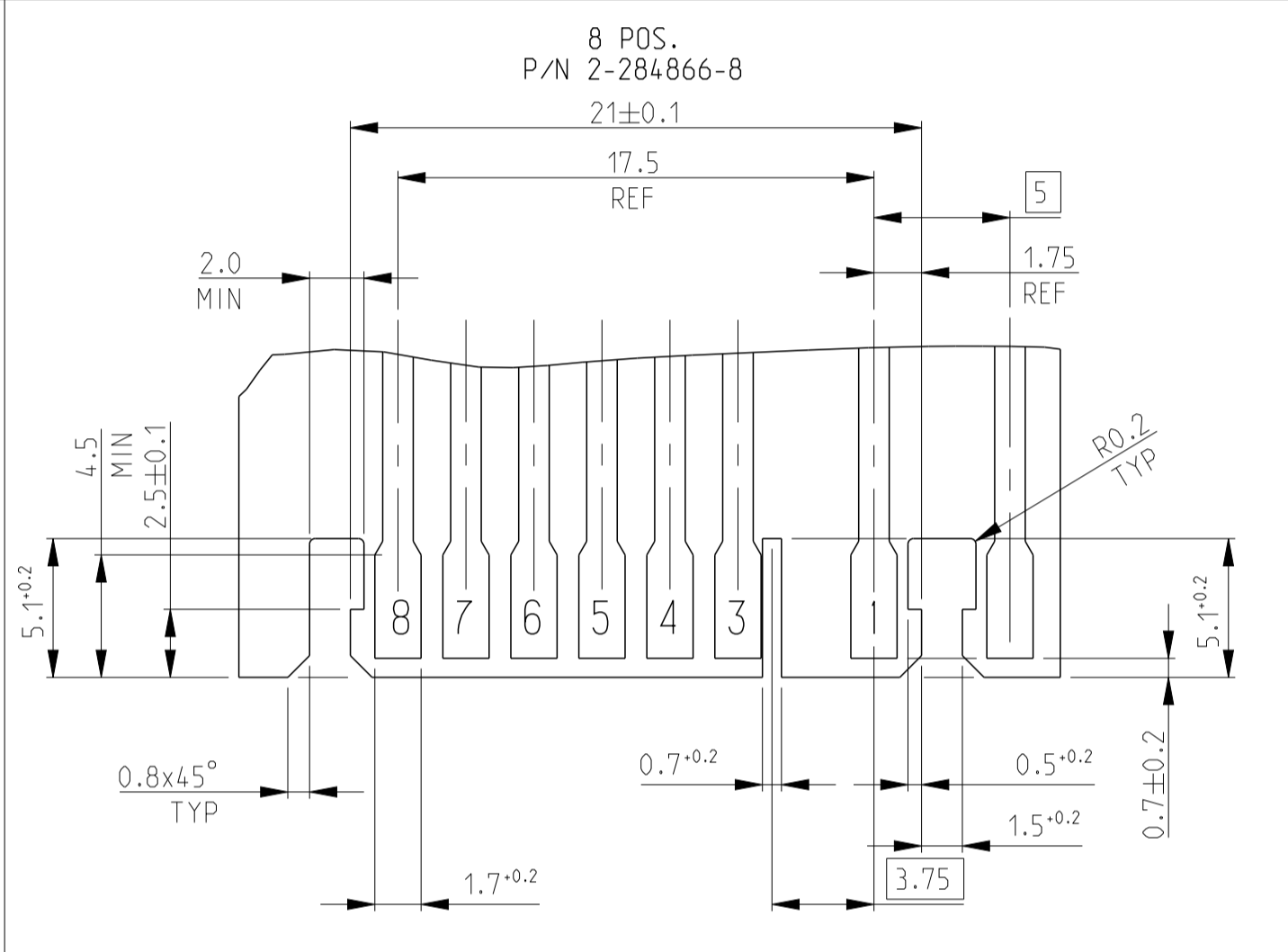
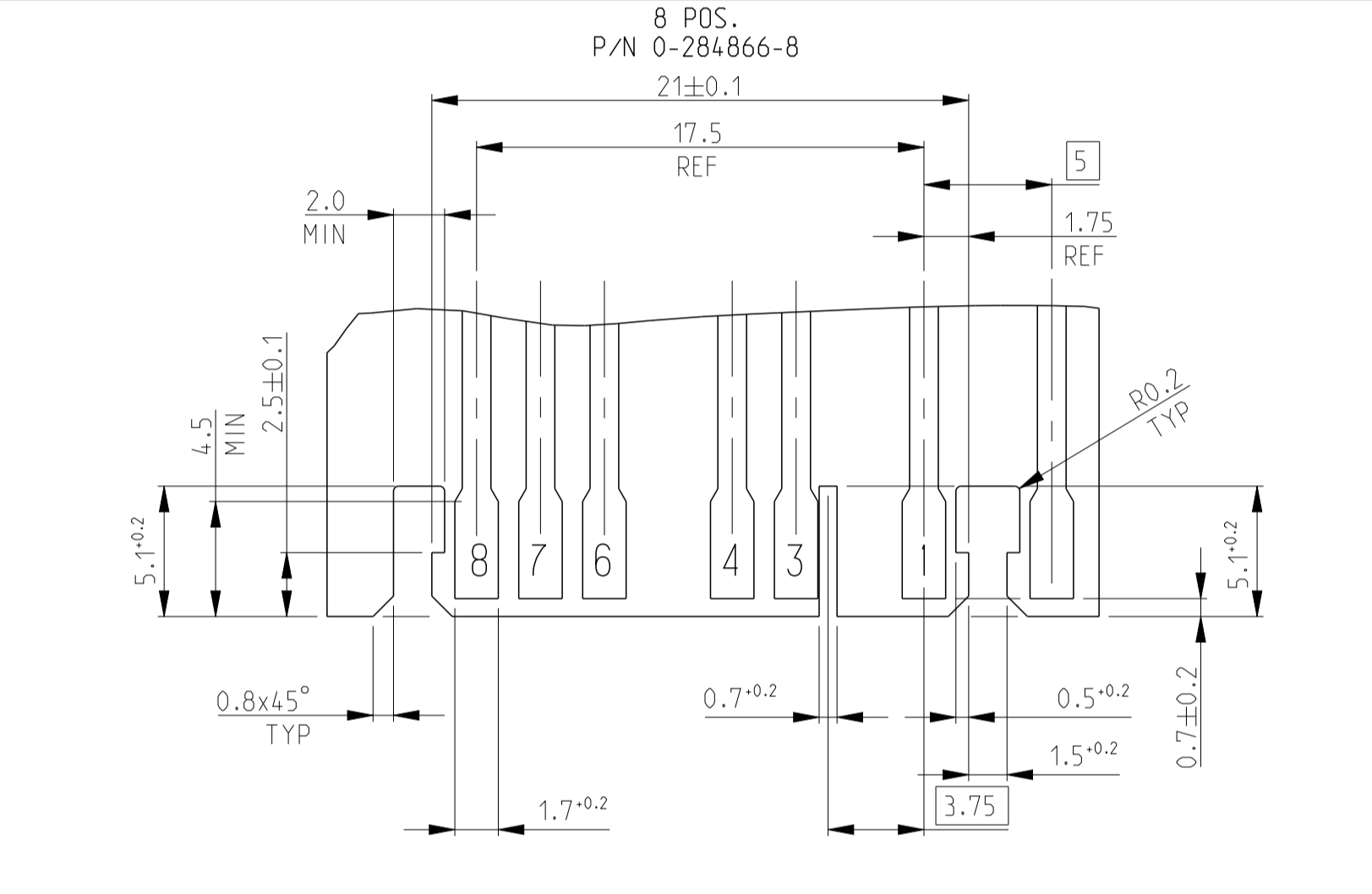
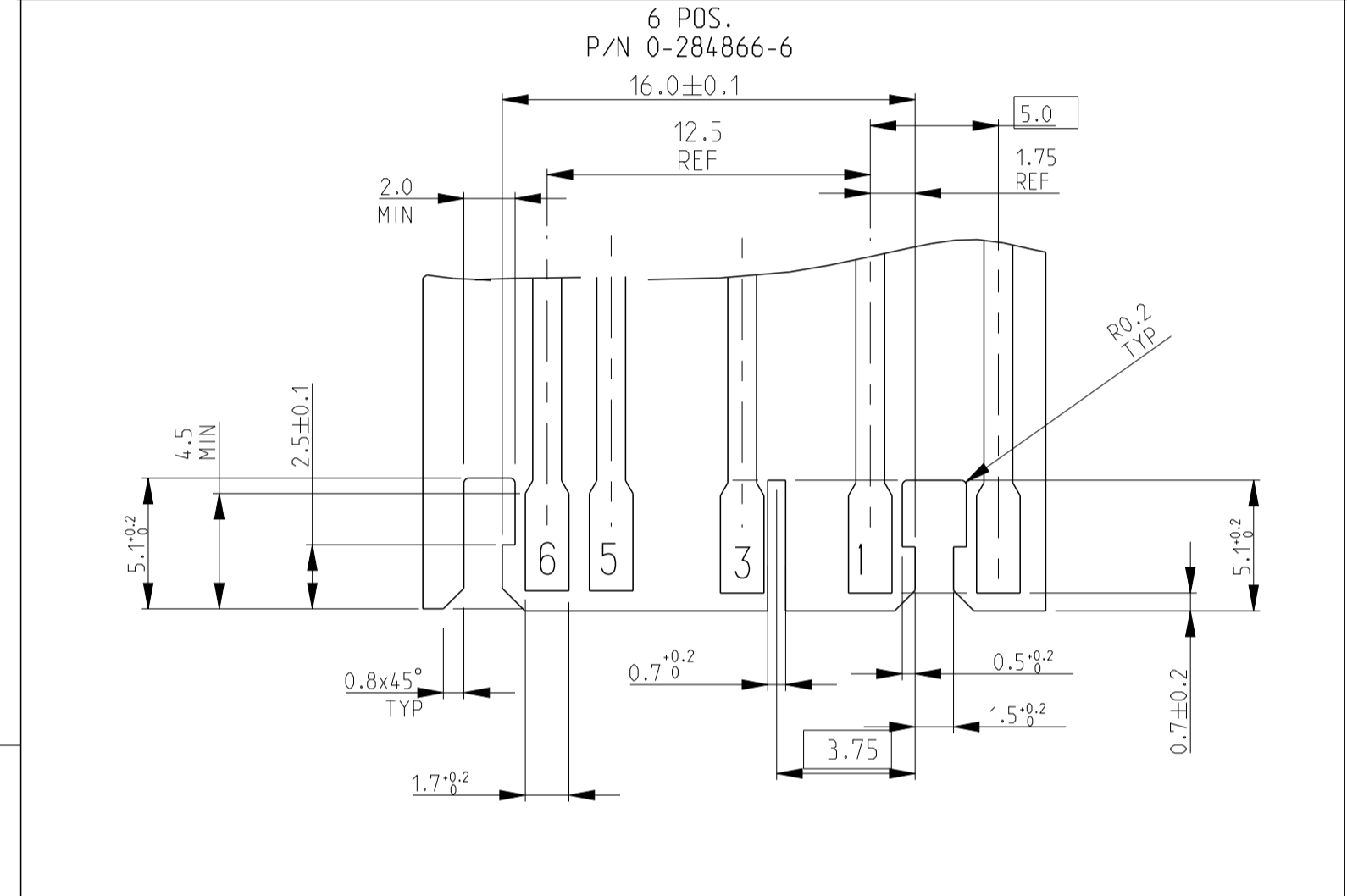
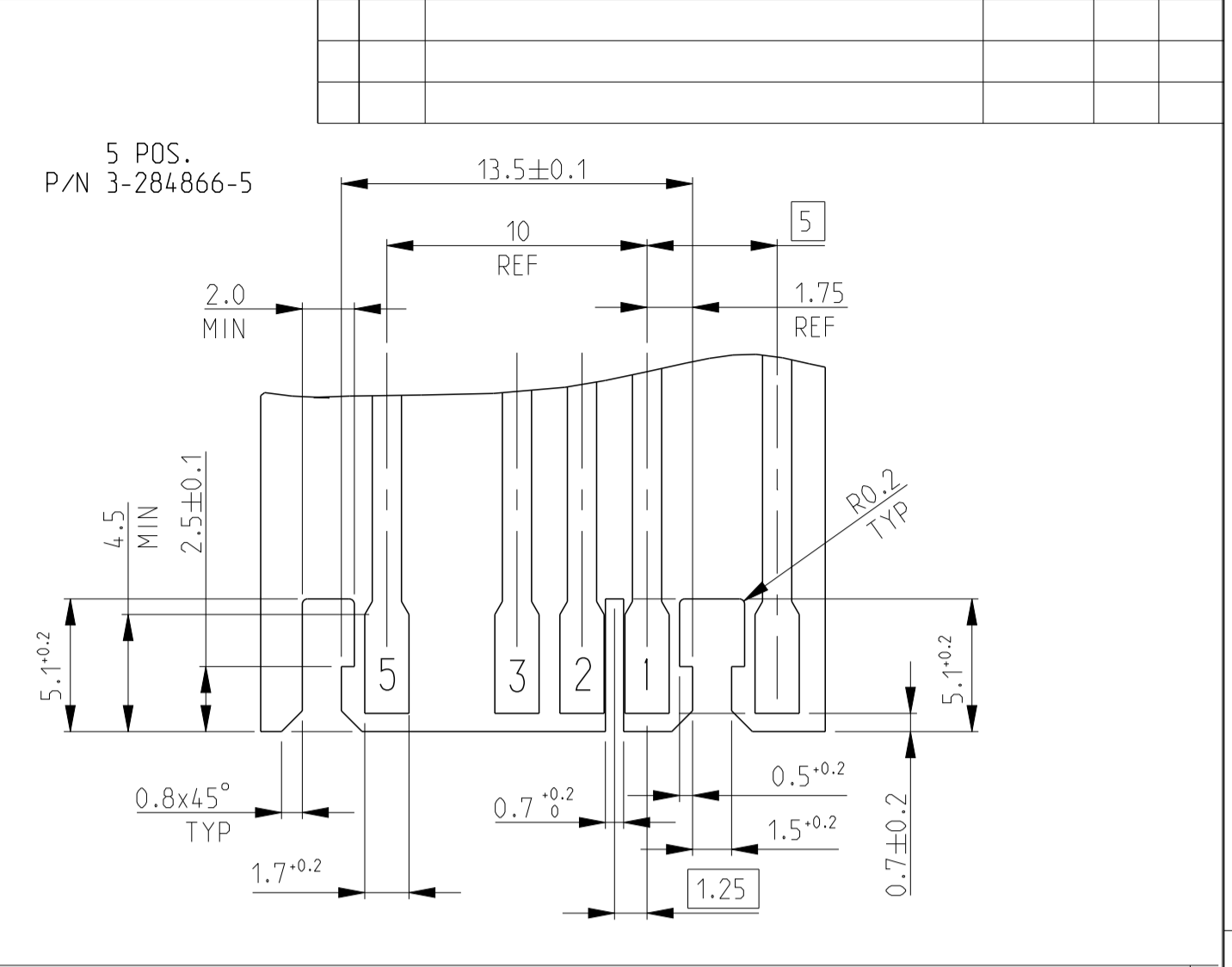
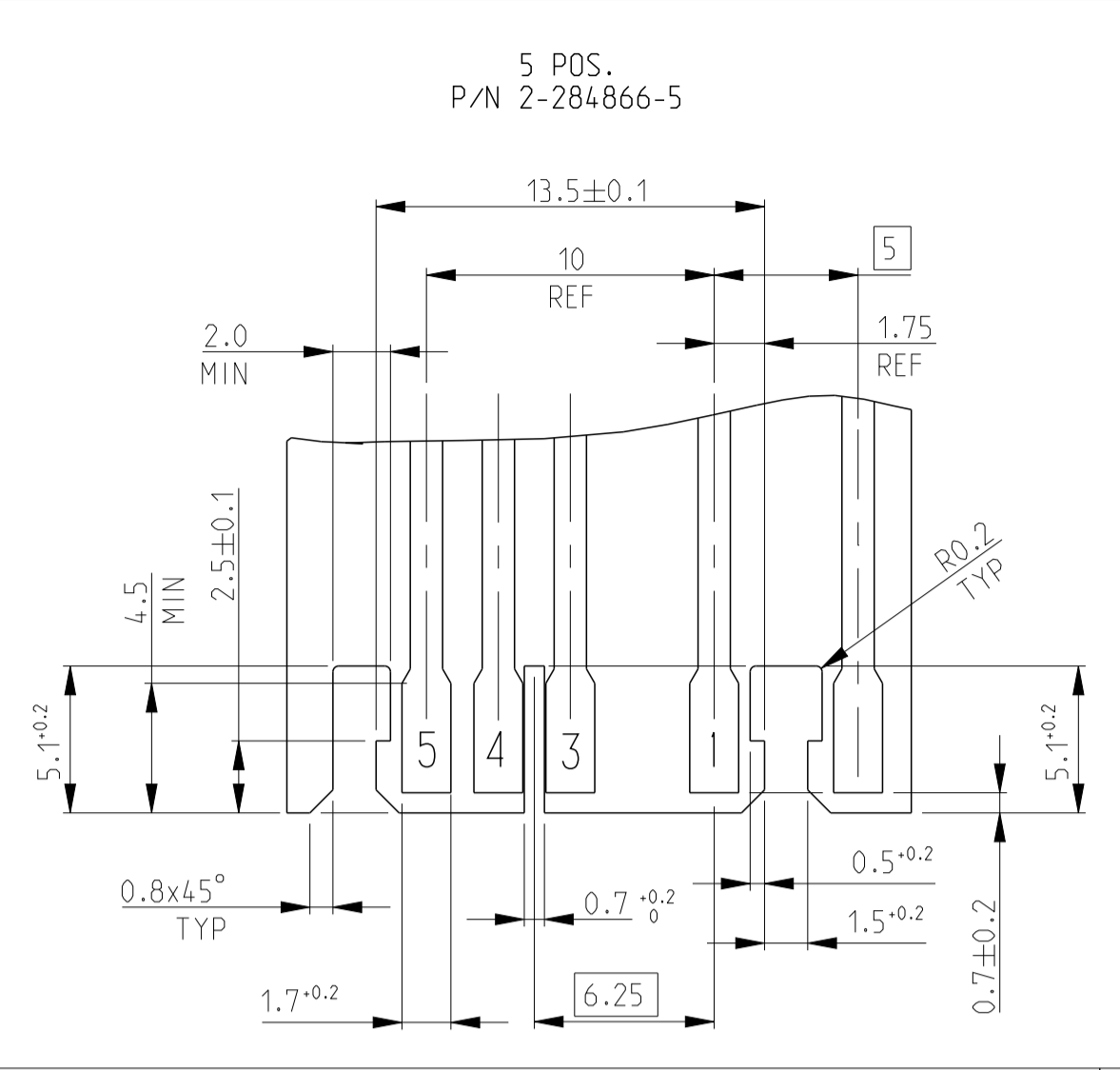
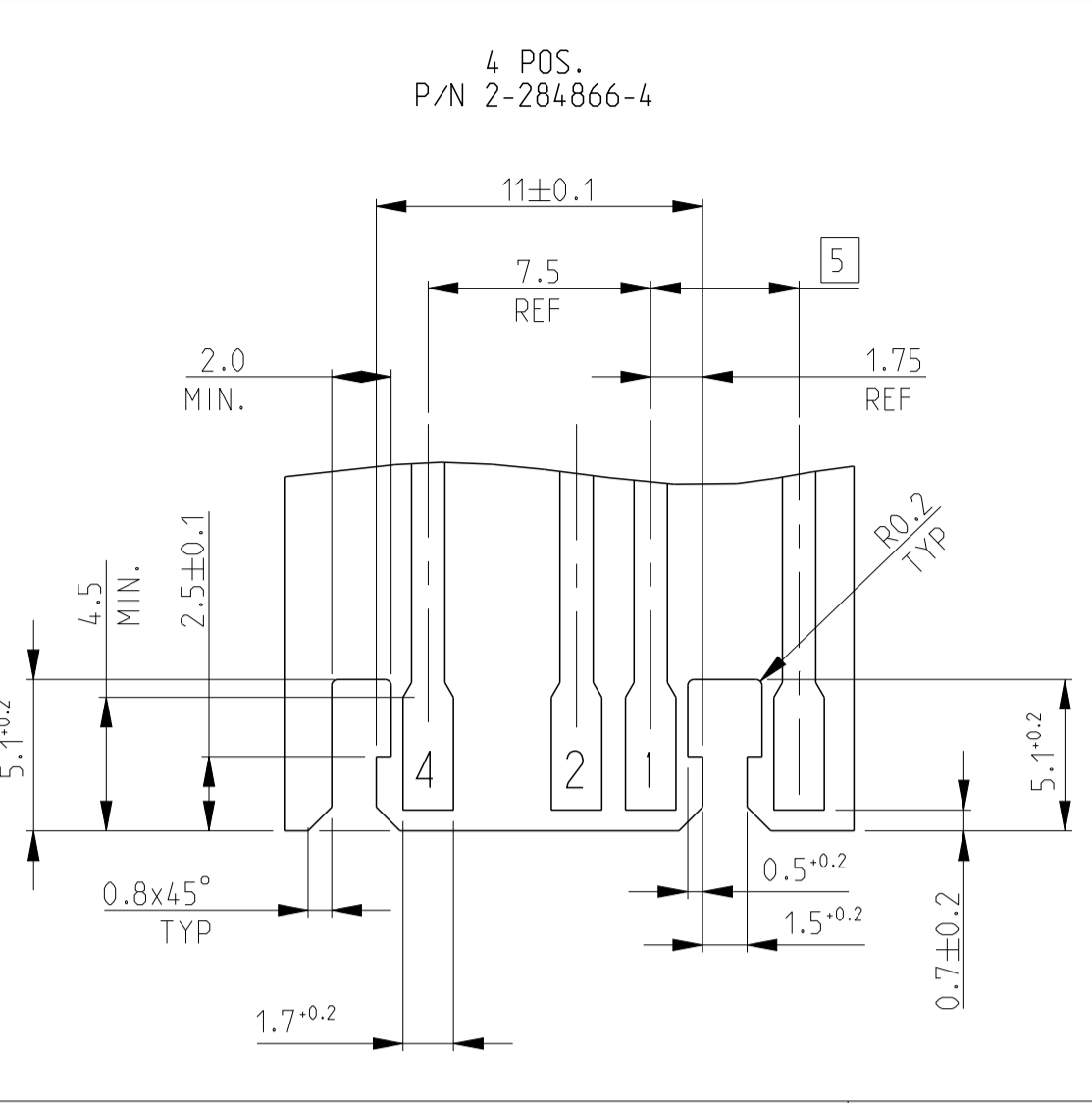
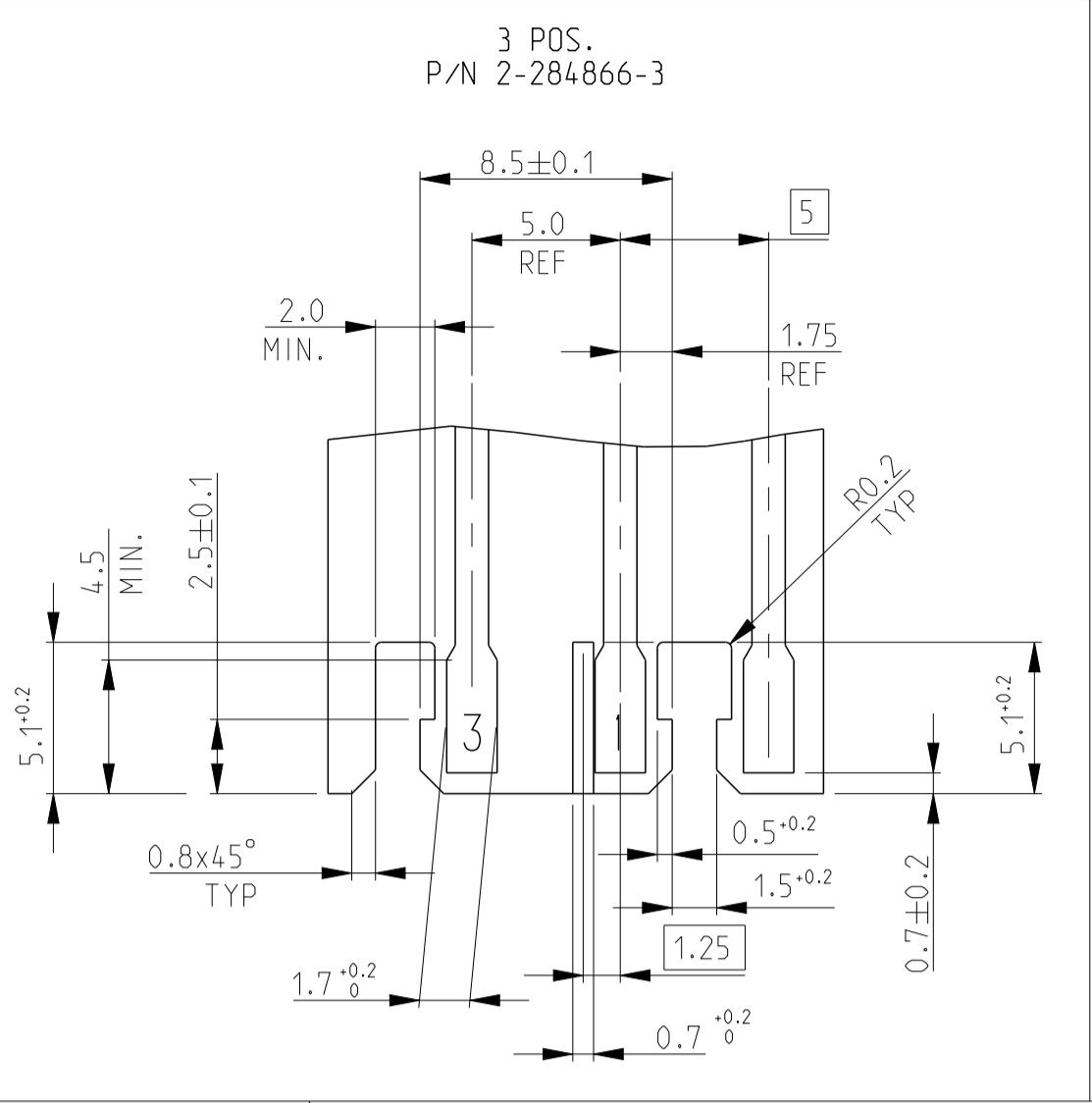
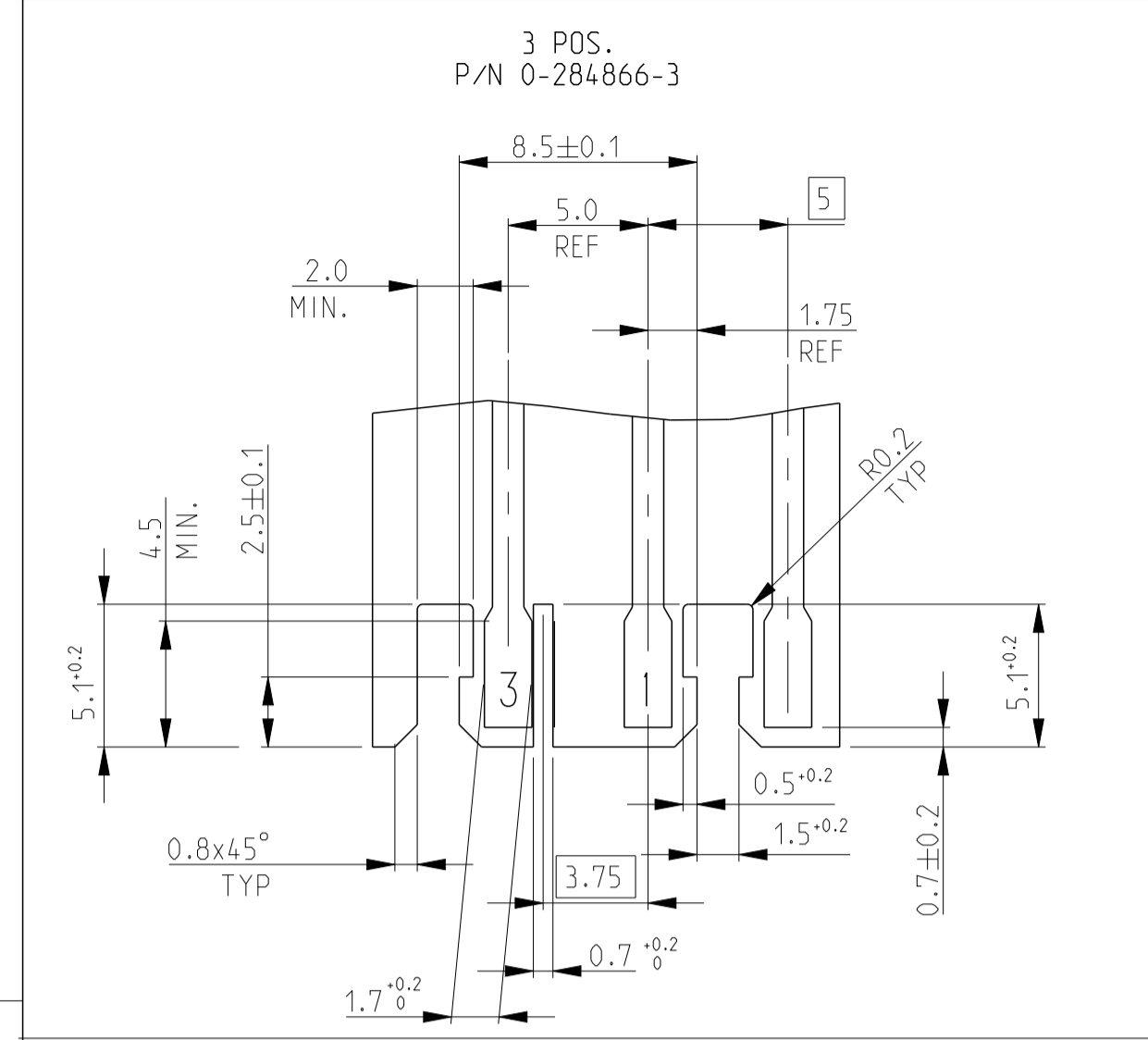
SEE TABLE	PH. BRONZE, TIN PLATED	IDC RECEPTACLE CONTACT	2		DIMENSIONS: mm TOLERANCES UNLESS OTHERWISE SPECIFIED: 0 PLC ±0.2 1 PLC ±0.1 2 PLC ±0.1 3 PLC ±0.1 4 PLC ±0.1 ANGLES ±1° FINISH
Q.TY	MATERIAL	DESCRIPTION	ITEM		
1		REVISIONE DELL'ASSEMBLATO (REVISION OF EACH ASSY NO)		MATERIAL	SEE TABLE
0.1A1 PER ASSEMBLATO 01Y REV 0 PER ASSY		ELENCO DEI COMPONENTI (PARTS LIST)		SEE TABLE	SEE TABLE

TE Connectivity  
 NAME: DUOPLUG 2.5 FEMALE CONN., SIDE LOCKING, KEYED (SELECTIVELY LOADED CONTACTS)  
 PRODUCT SPEC: 108-20238  
 APPLICATION SPEC: 114-18049-1  
 WEIGHT: -  
 CUSTOMER DRAWING: A1 00779 ©=284866  
 SCALE: 10:1 SHEET 1 OF 4

# PCB LAYOUT -Soldering side-

(SCALE 4:1)

REVISIONS				
P.	LTN.	DESCRIPTION	DATE	APPV.
-	-	SEE SHEET 1	-	-



THIS DRAWING IS A CONTROLLED DOCUMENT.		OWN: R. FABRIS	03JUL2002
DIMENSIONS: mm		CHK: -	
TOLERANCES UNLESS OTHERWISE SPECIFIED:		APVD: -	
0 PLC		PRODUCT SPEC	
1 PLC		108-20238	
2 PLC		APPLICATION SPEC	
3 PLC		116-18049-1	
4 PLC		WEIGHT	
ANGLES		FINISH	
MATERIAL: SEE TABLE		SEE TABLE	
CUSTOMER DRAWING		SCALE: 6:1	SHEET 2 OF 4

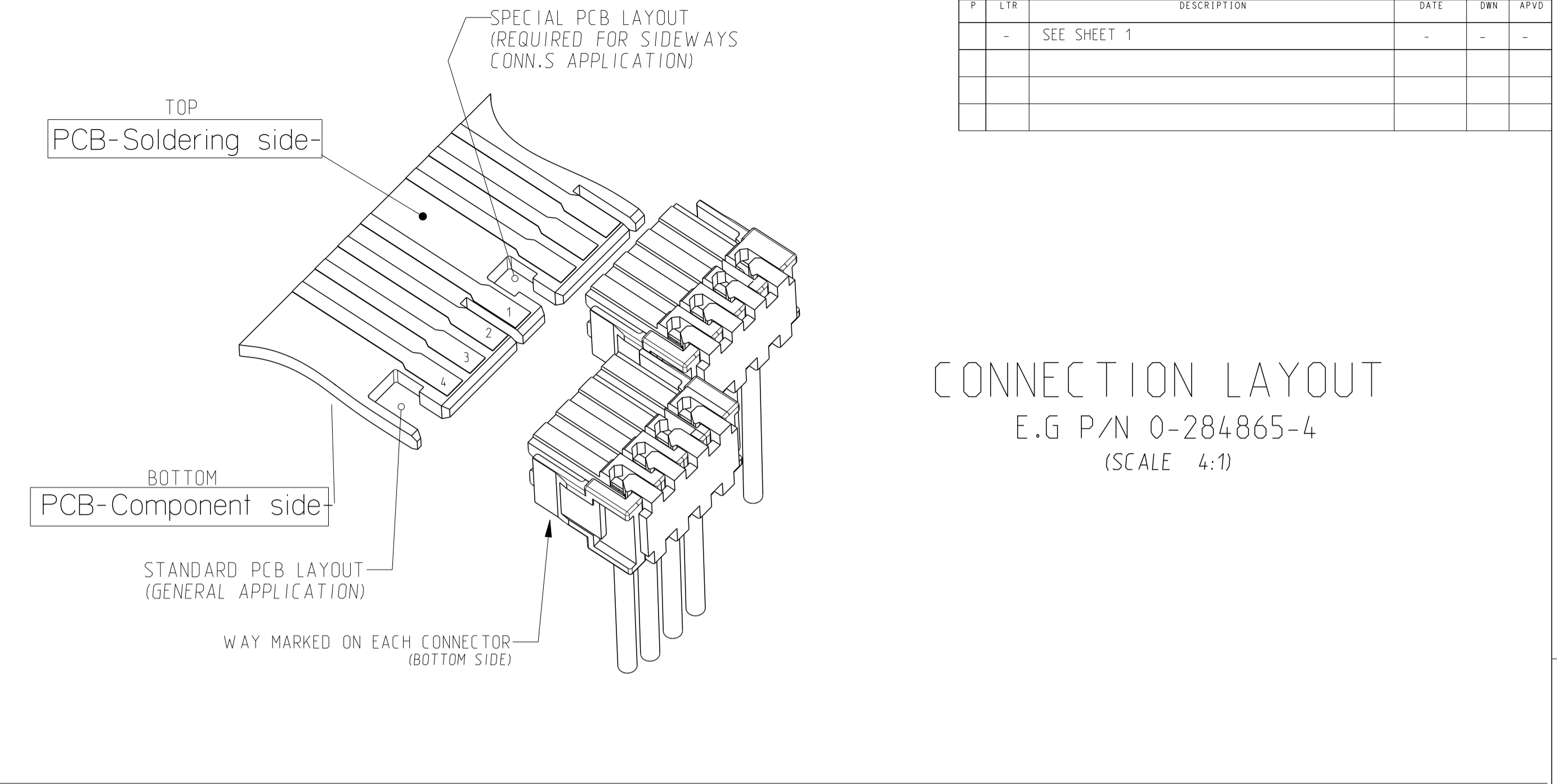
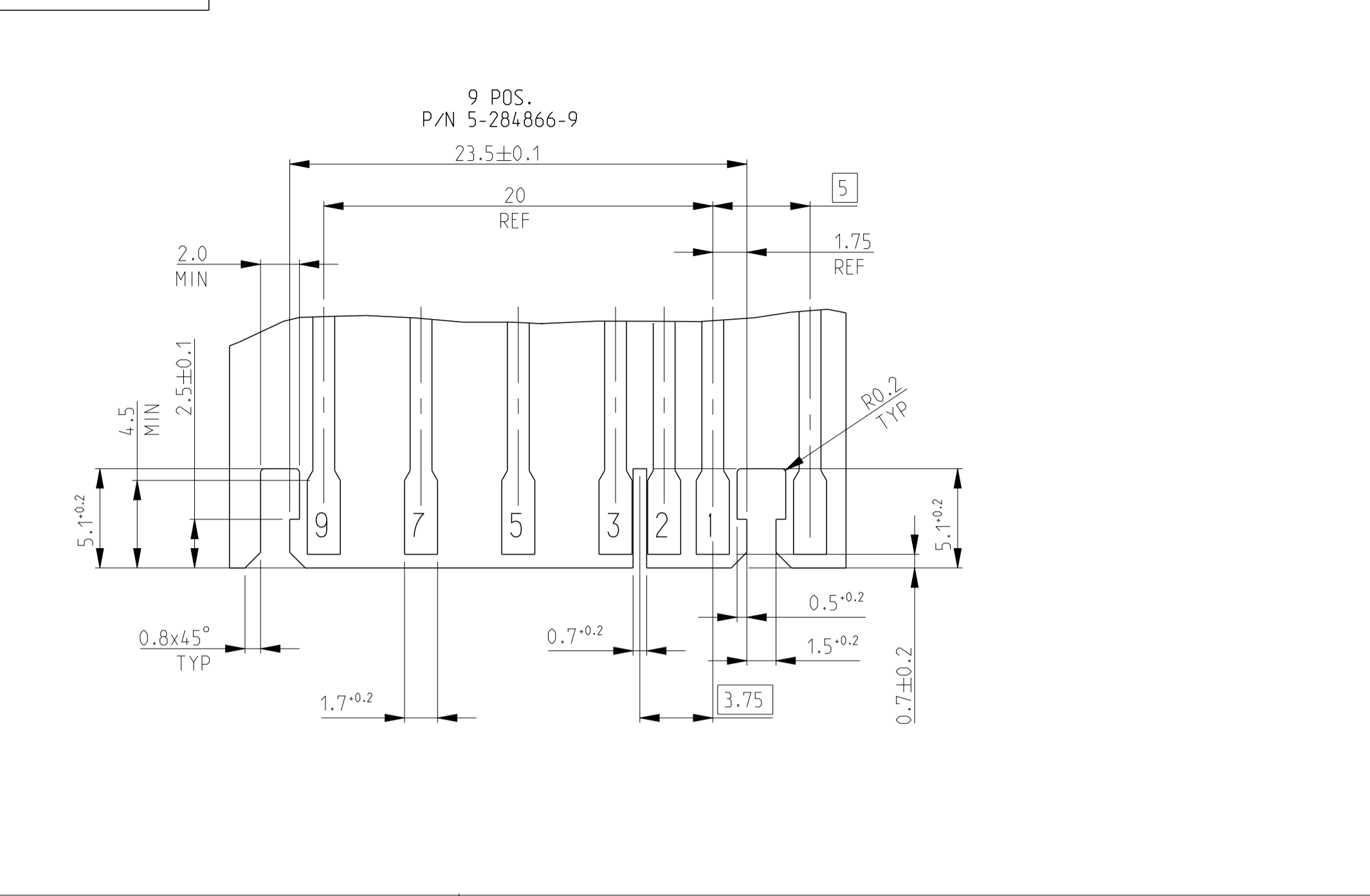
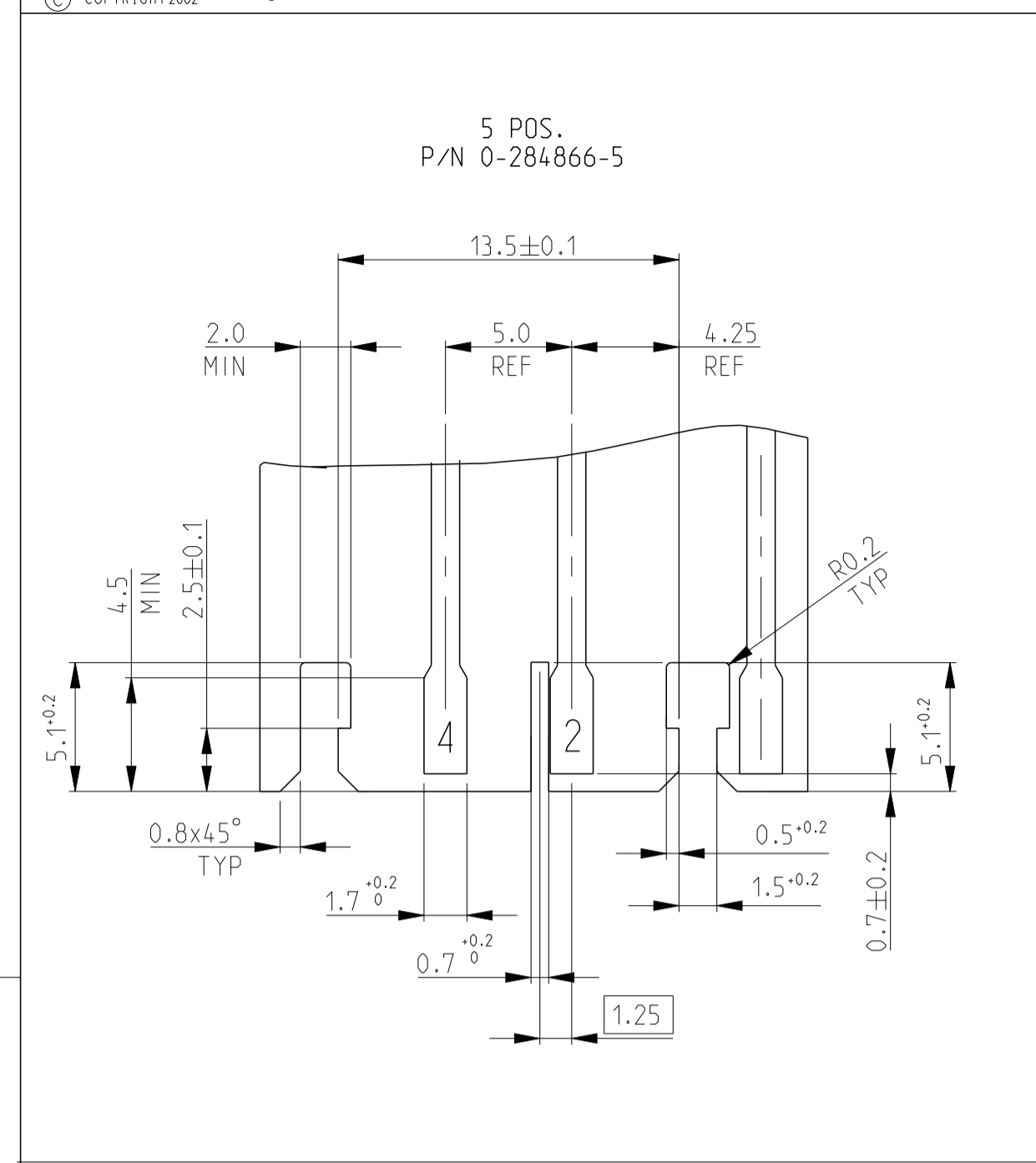
**STE** TE Connectivity

NAME: DUOPLUG 2.5 FEMALE CONN., SIDE LOCKING, KEYED (SELECTIVELY LOADED CONTACTS)

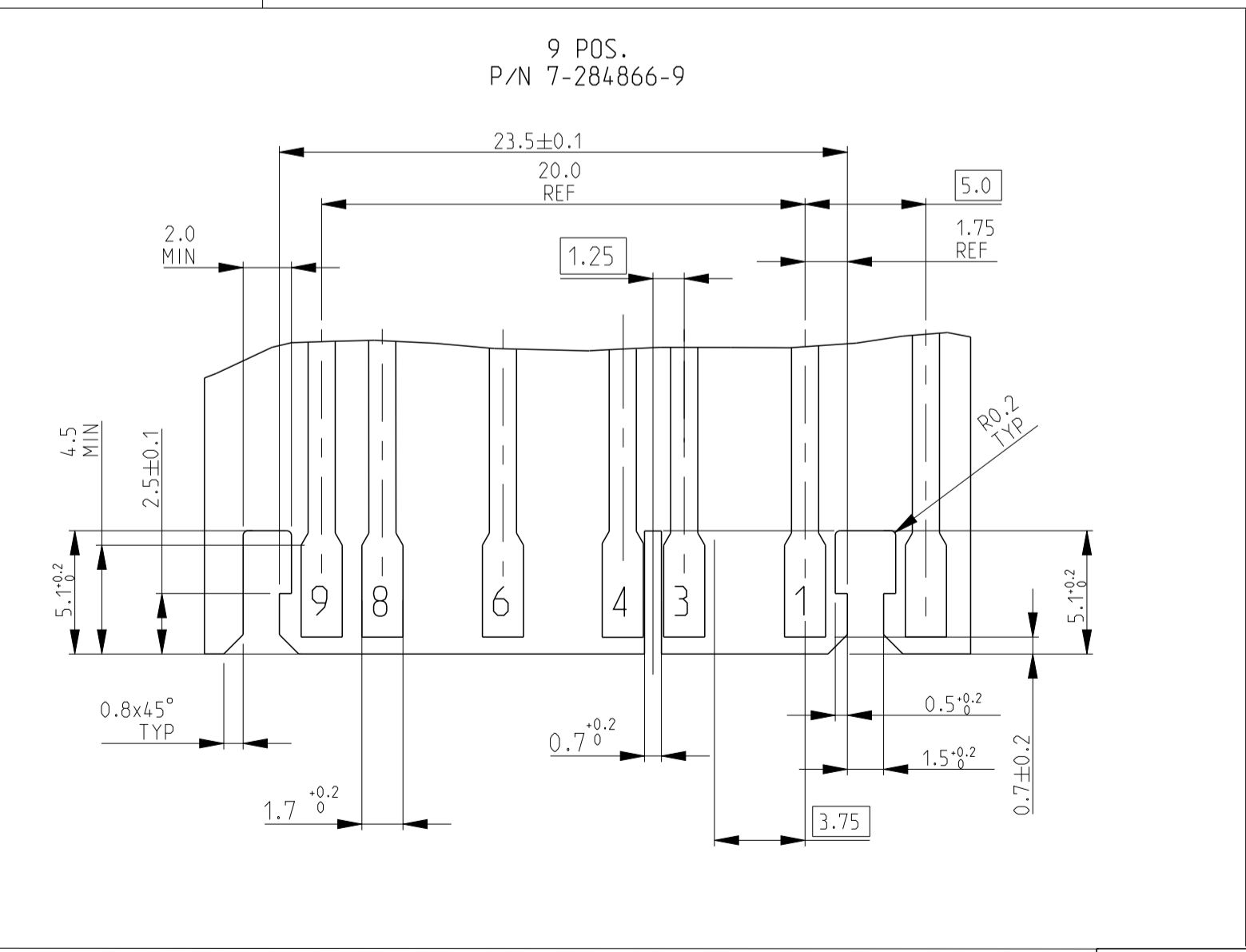
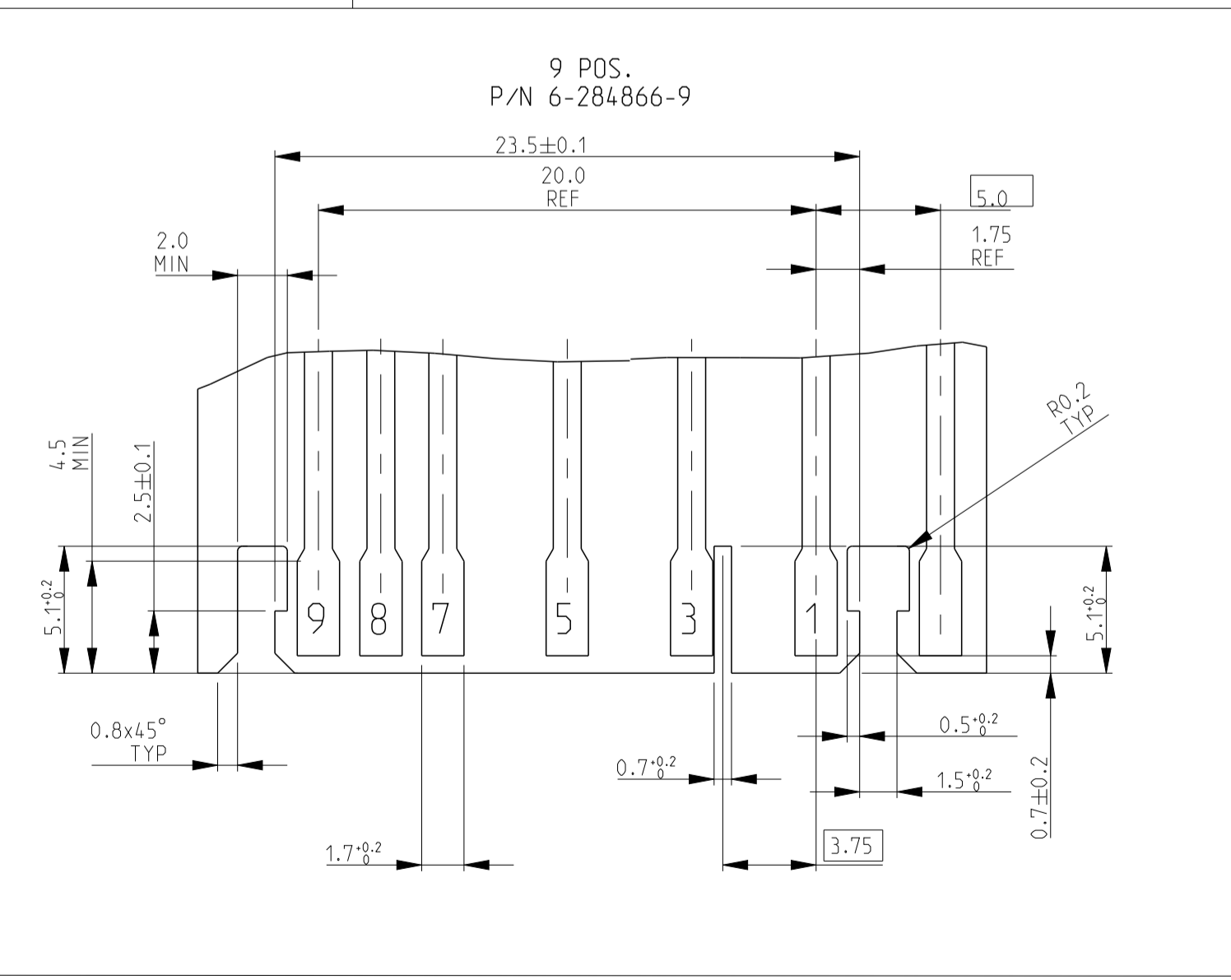
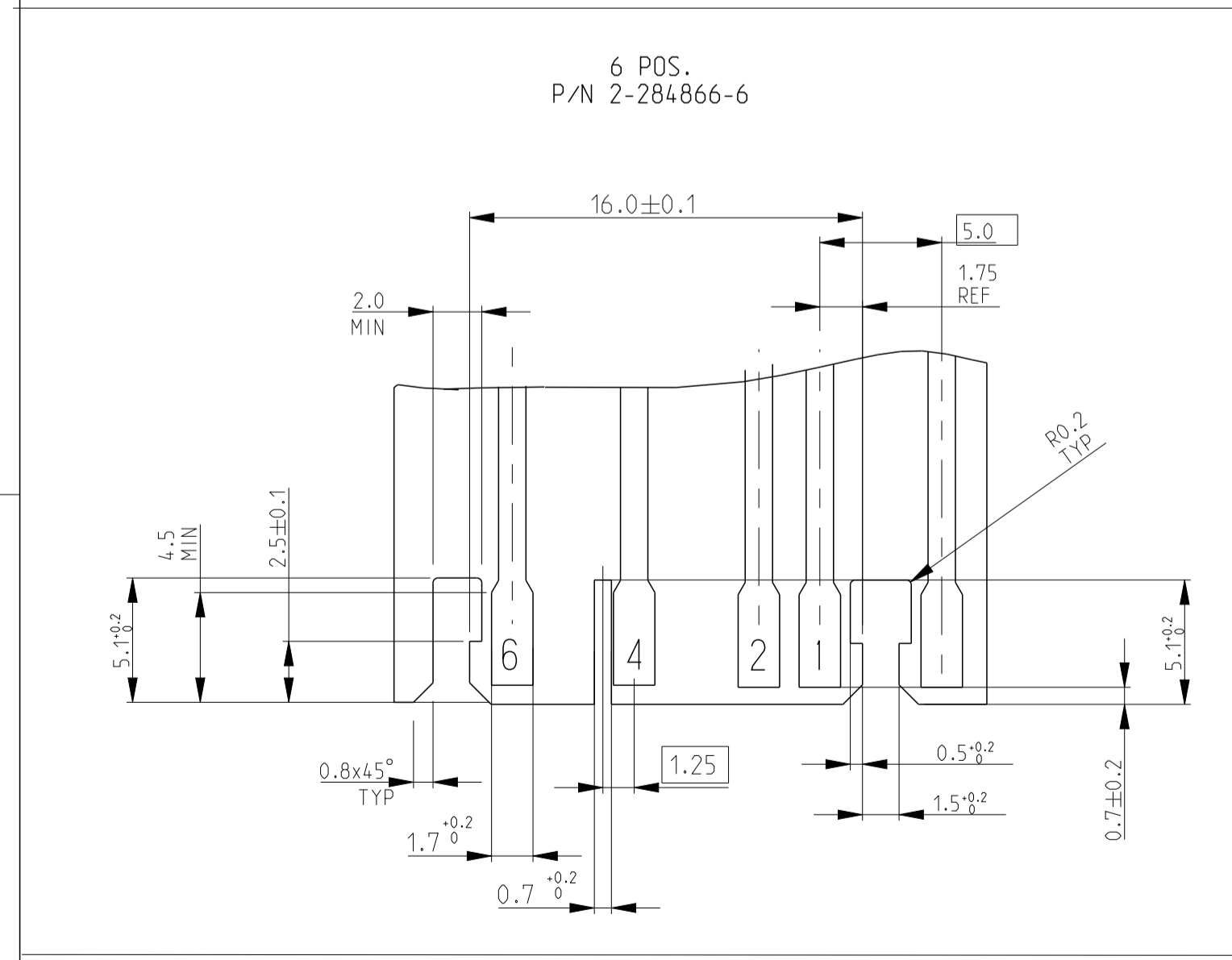
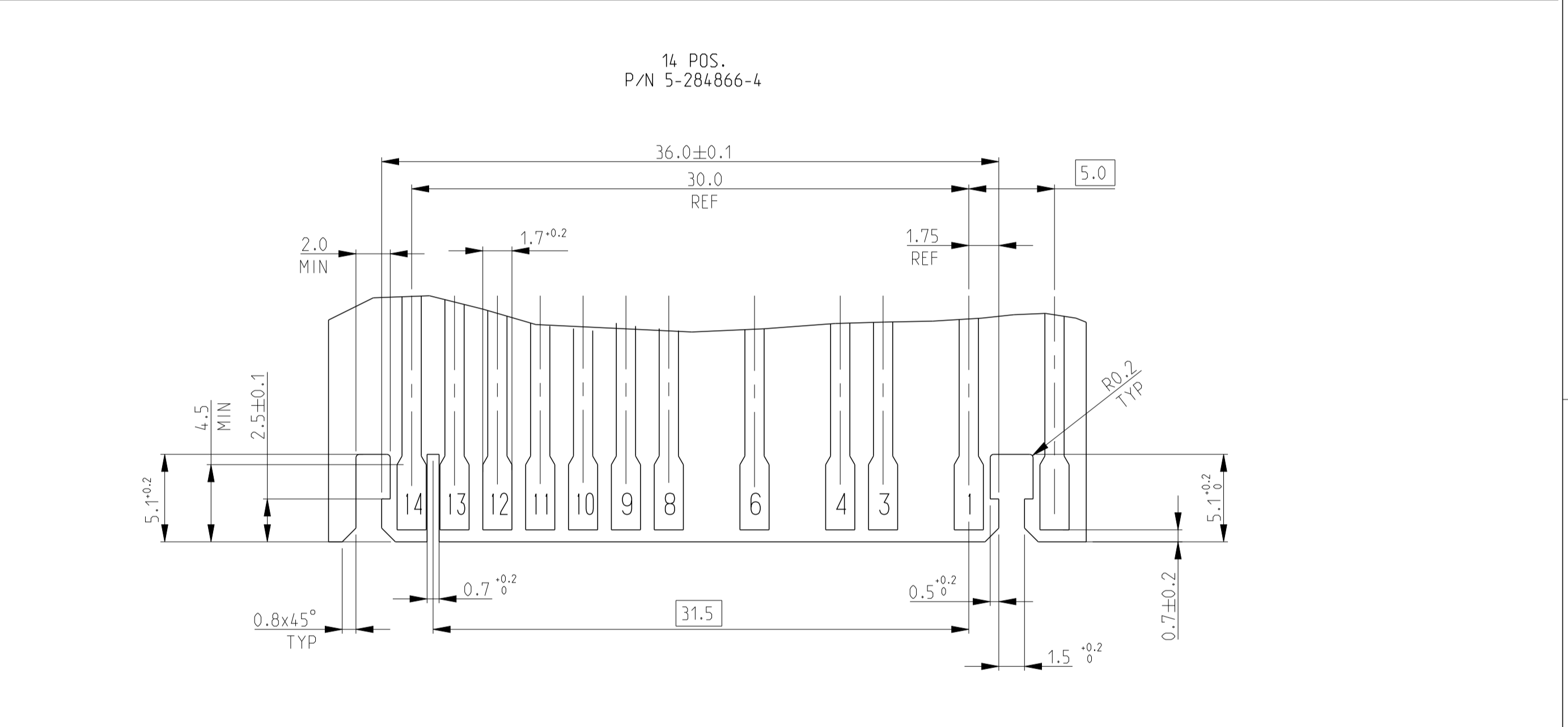
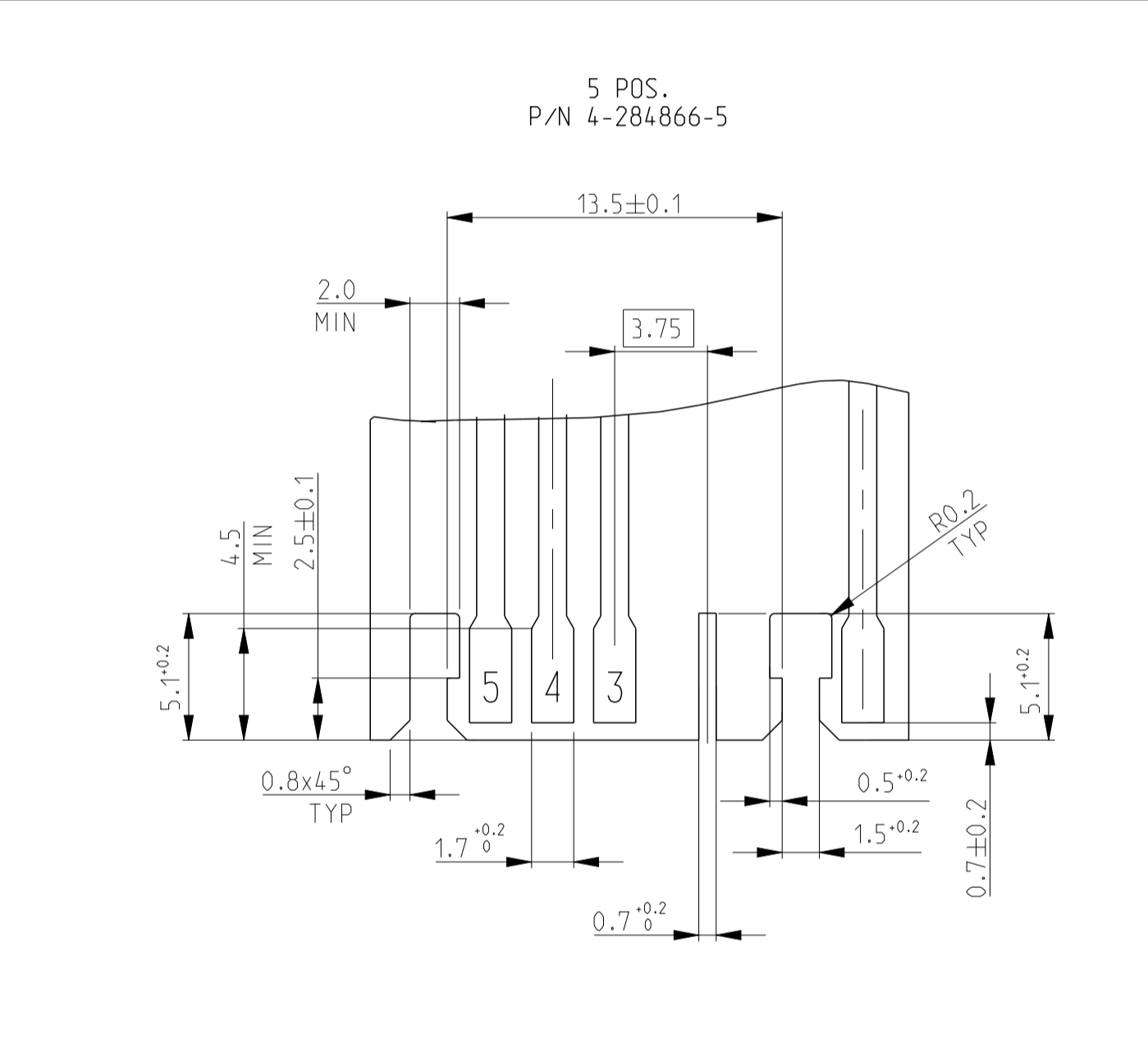
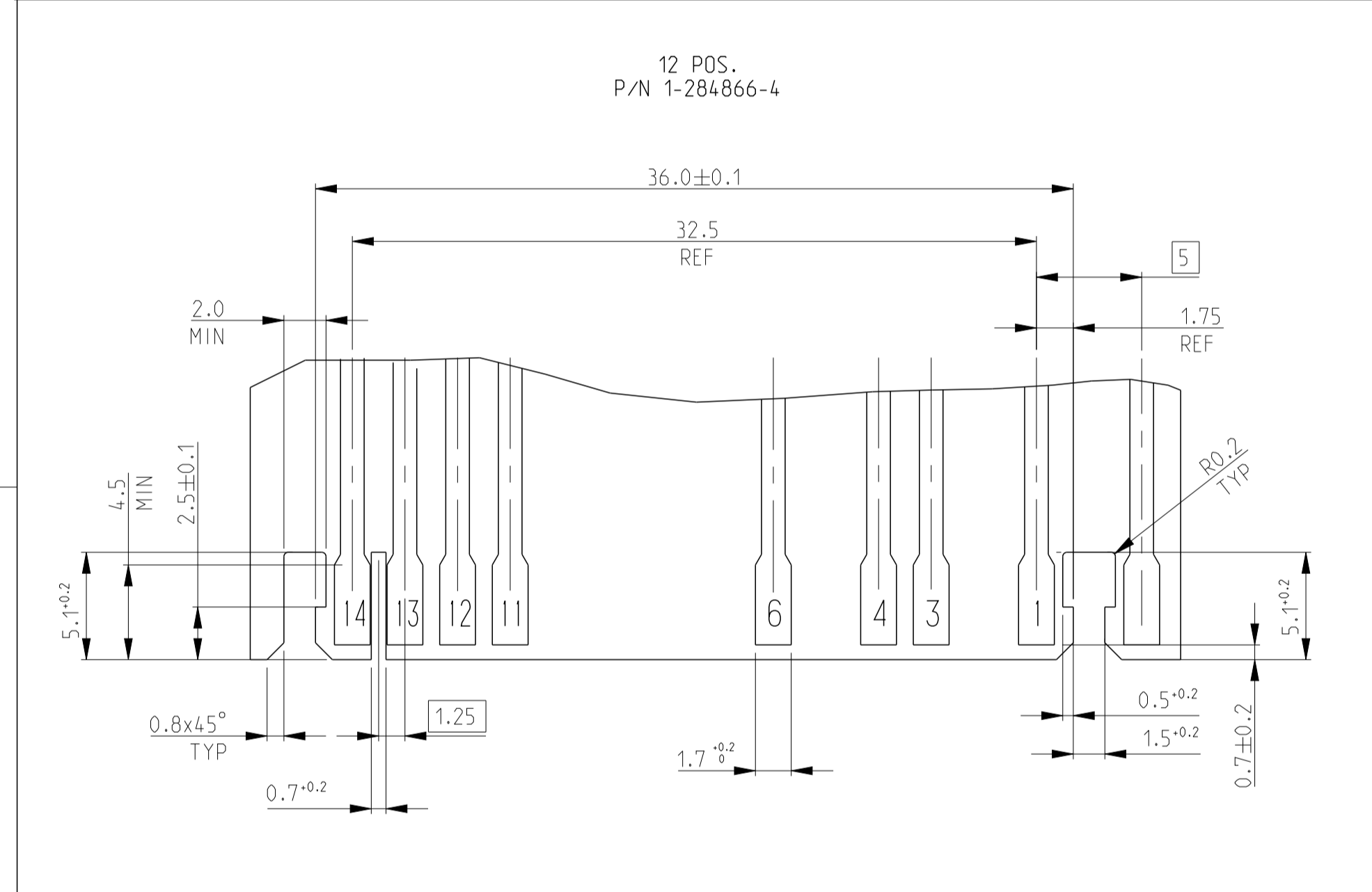
SIZE: A1 00779 C=284866

RESTRICTED TO: 14

REVISIONS				
P.	LTN.	DESCRIPTION	DATE	APPV.
-	-	SEE SHEET 1	-	-



CONNECTION LAYOUT  
 E.G P/N 0-284865-4  
 (SCALE 4:1)



THIS DRAWING IS A CONTROLLED DOCUMENT. DWN: R. FABRIS 03JUL2002  
 CHK: -  
 DIMENSIONS: mm  
 TOLERANCES UNLESS OTHERWISE SPECIFIED:  
 0 PLC #  
 1 PLC #  
 2 PLC #  
 3 PLC #  
 4 PLC #  
 ANGLES #°  
 MATERIAL: SEE TABLE  
 FINISH: SEE TABLE

NAME: DUOPLUG 2.5 FEMALE CONN., SIDE LOCKING, KEYED (SELECTIVELY LOADED CONTACTS)  
 PRODUCT SPEC: 108-20238  
 APPLICATION SPEC: 116-18049-1  
 WEIGHT: -  
 CUSTOMER DRAWING

SIZE: A1  
 CAGE CODE: 00779  
 DRAWING NO: 284866

RESTRICTED TO: -  
 SCALE: 6:1  
 SHEET: 3 OF 4  
 REV: 14

STE TE Connectivity



# Mouser Electronics

Authorized Distributor

Click to View Pricing, Inventory, Delivery & Lifecycle Information:

[TE Connectivity:](#)

[4-284866-9](#)