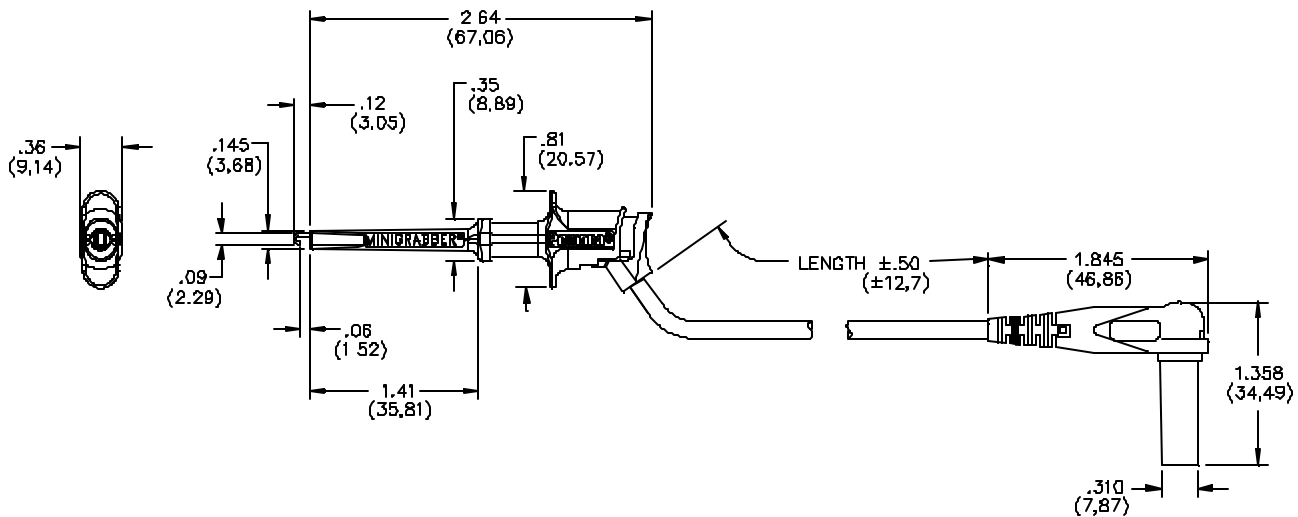


Model 6244 Minigrabber® Test Clip To Right Angle Sheathed Banana Plug Test Lead – IEC1010 Compliant



FEATURES:

- Newly designed Minigrabber® Test Clip Patch Cord complies with IEC1010-2-31, which is the latest international safety standard for test accessories.
- Grabber width is a slim .36" (9,14 mm) for easier side by side stacking.
- Grabber hook is gold plated beryllium copper to ensure signal integrity & attaches onto component leads up to .060" (1,5 mm) O.D.
- Grabber patch cord interfaces directly into the most popular multimeters configured with 4 mm sheathed safety jacks, including Amprobe, Fluke, H-P, Tektronix and Wavetek.
- For added safety, the grabber and banana plug body insulation material is fire retardant Nylon 6, UL94V-0 rated.
- Plug is molded directly to the cable in an integral one-piece design and the wire is double crimped for a long lasting connection.
- Multi-leaf banana spring material is nickel plated beryllium copper for extended insertion life & low contact resistance.
- High strand count silicone insulated wire offers excellent flexibility and high temperature resistance.

MATERIALS:

Grabber: Body: Nylon 6 – Fire Retardant – UL94 V-O Rated, Color per part number

Hook: Beryllium Copper, Gold Plated, Compression Spring: Music Wire

Wire: 18 AWG, 65 x 36 Tinned Copper, Insulation – Silicone, .144" (3,66 mm) O.D., Color per P/N

Banana Plug: Body - Brass, Nickel Plated, Spring – Beryllium Copper, Nickel Plated

Insulation - Polypropylene, Fire Retardant UL94 V-2 Rated, Color per part number

RATINGS:

IEC 1010-2-031, Category II, P2 Compliant

Operating Voltage: 300 VRMS/DC Max.

Current: 5 Amperes Max.

ORDERING INFORMATION: Model 6244-XX-*

XX = Length in Inches, Standard Length: 48" (122 cm) *= Color Code, -0 Black and -2 Red

All dimensions are in inches. Tolerances (except noted): .xx = ±.02" (.51 mm), .xxx = ±.005" (.127 mm).

All specifications are to the latest revisions. Specifications are subject to change without notice.

Registered trademarks are the property of their respective companies. Made in USA

Mouser Electronics

Authorized Distributor

Click to View Pricing, Inventory, Delivery & Lifecycle Information:

Pomona:

[6244-48-2](#) [6244-48-0](#)