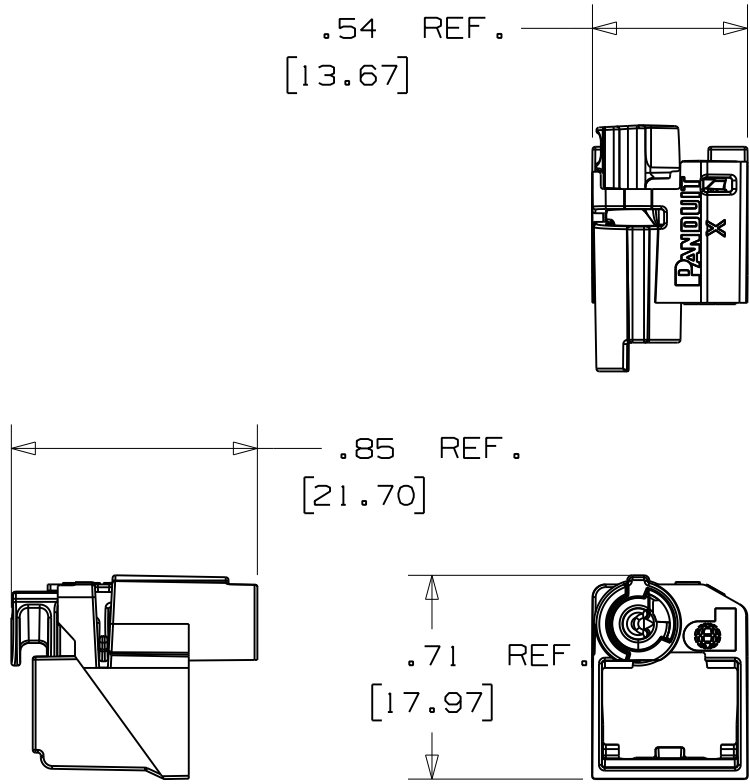
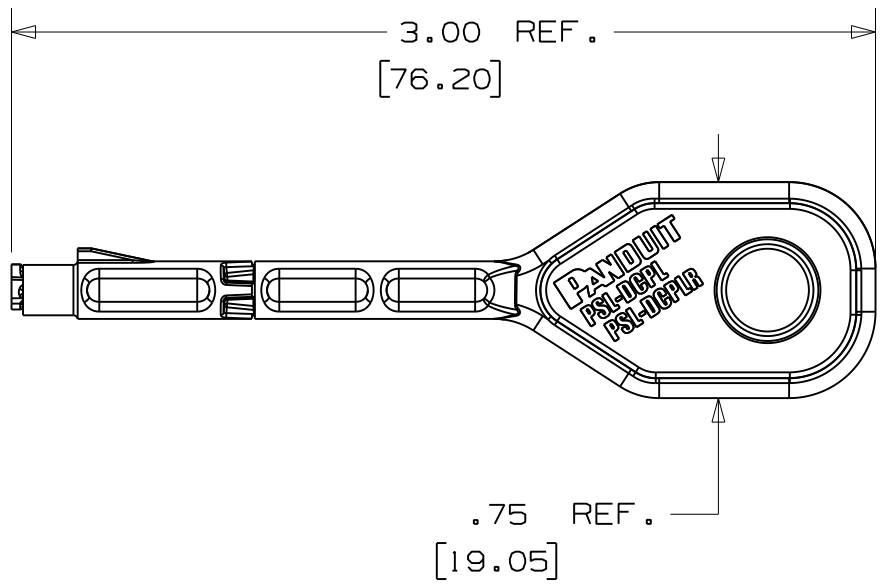


THIS COPY IS PROVIDED ON A RESTRICTED BASIS AND IS NOT TO BE USED IN ANY WAY DETRIMENTAL TO THE INTERESTS OF PANDUIT CORP.



PSL - DCPLX



KEY

										CAD FILENAME/LAYERS		100186AB_DC_C10841/05A	
										PANDUIT CORP. TINLEY PARK, ILLINOIS			
										PSL - DCPLX - ** CUSTOMER DRAWING			
										UNLESS OTHERWISE SPECIFIED, DIMENSIONAL TOLERANCES ARE: (.X) ± .05    (.XXX) ± .01 (.XX) ± .02    ANGLES ± 2°		UNLESS OTHERWISE SPECIFIED, ALL DIMENSIONS ARE GIVEN IN INCHES, THIRD ANGLE PROJECTION.	
										DRAWN BY MROB		MAT'L: N/A	
										DATE 07/29/10		SCALE 1.5 : 1	
										CHK'D		DRAWING NO. C10841	
0	07/29/10	MROB	DRAWING RELEASED				6097	R			DWG A		
REV	DATE	BY	CHK	DESCRIPTION			ECN	R	CUST	SUP	SIZE		

# Mouser Electronics

Authorized Distributor

Click to View Pricing, Inventory, Delivery & Lifecycle Information:

[Panduit:](#)

[PSL-DCPLX-BL-C](#) [PSL-DCPLX-BL](#) [PSL-DCPLX](#) [PSL-DCPLX-C](#) [PSL-DCPLX-IW-C](#)