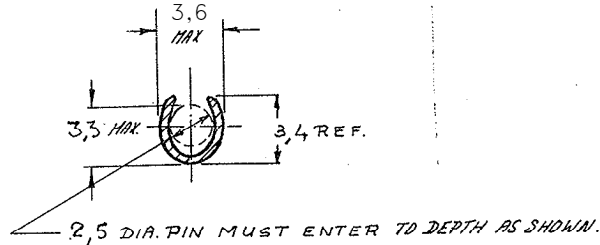
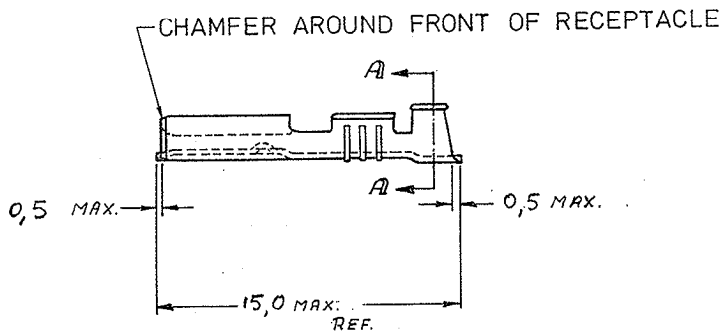


LOC	DIST
IR	-

REVISIONS

P	LTR	DESCRIPTION	DATE	DWN	APVD
J		FIRST ISSUE	02MAY2007	HY	GT
J1		ADDED WIRE & INSULATION RANGE 0,2-1,0 mm ²		HY	GT
J2		REVISED PER ECO-09-026346	25NOV09	KK	AEG
J3		INSULATION BARREL WIDTH CORRECTED	20MAR12	PKS	RRP
J4		REVISED PER ECR-15-016344	09NOV15	L.F	T.D



1 OBSOLETE PARTS: OBSOLETE CIS STREAMLINING PER D.RENAUD/D.SINISI

1	6-160555-0	TIN LEAD	PHOSPH. BRONZE	5-160556-5	0	
	5-160555-4	PLAIN	PHOSPH. BRONZE	5-160556-4	0	
OBSOLETE	5-160555-3	SILVER PLATED	BRASS	5-160556-3	0	
	5-160555-2	TIN PLATED	BRASS	5-160556-2	0	
1	OBSOLETE	5-160555-1	PLAIN	BRASS	5-160556-1	0
	0-160484-8	TIN LEAD	BRASS	0-160539-7	-	
	0-160484-7	PRE-TIN PLATED	PHOSPH. BRONZE	0-160539-6	-	
	0-160484-6	TIN PLATED	PHOSPH. BRONZE	0-160539-5	-	
1	OBSOLETE	0-160484-3	SILVER PLATED	BRASS	0-160539-3	J
	0-160484-4	TIN PLATED	BRASS	0-160539-2	J	
OBSOLETE	0-160484-1	PLAIN	BRASS	0-160539-1	J	
	STRIP FORM	FINISH	MATERIAL	P/N	REV	

WIRE RANGE 0,5-1,0 mm².
INSULATION RANGE 2,0-2,5 mm.

<small>THIS DRAWING IS A CONTROLLED DOCUMENT FOR TYCO ELECTRONICS CORPORATION. IT IS SUBJECT TO CHANGE AND THE CONTROLLING ENGINEERING ORGANIZATION SHOULD BE CONTACTED FOR THE LATEST REVISION.</small>		DWN H. Yeali	02MAY2007	
DIMENSIONS: mm		CHK -	APVD G. Turco	
TOLERANCES UNLESS OTHERWISE SPECIFIED: 0 PLC ± 1 PLC ±0.3 2 PLC ± 3 PLC ± 4 PLC ± ANGLES ±1° FINISH -		PRODUCT SPEC -	APPLICATION SPEC -	RESTRICTED TO -
MATERIAL SEE TABLE		WEIGHT -	SIZE A300779	CAGE CODE C-160539
CUSTOMER DRAWING			SCALE 4:1	SHEET 1 OF 1 REV J4

Mouser Electronics

Authorized Distributor

Click to View Pricing, Inventory, Delivery & Lifecycle Information:

[TE Connectivity:](#)

[5-160556-2](#)