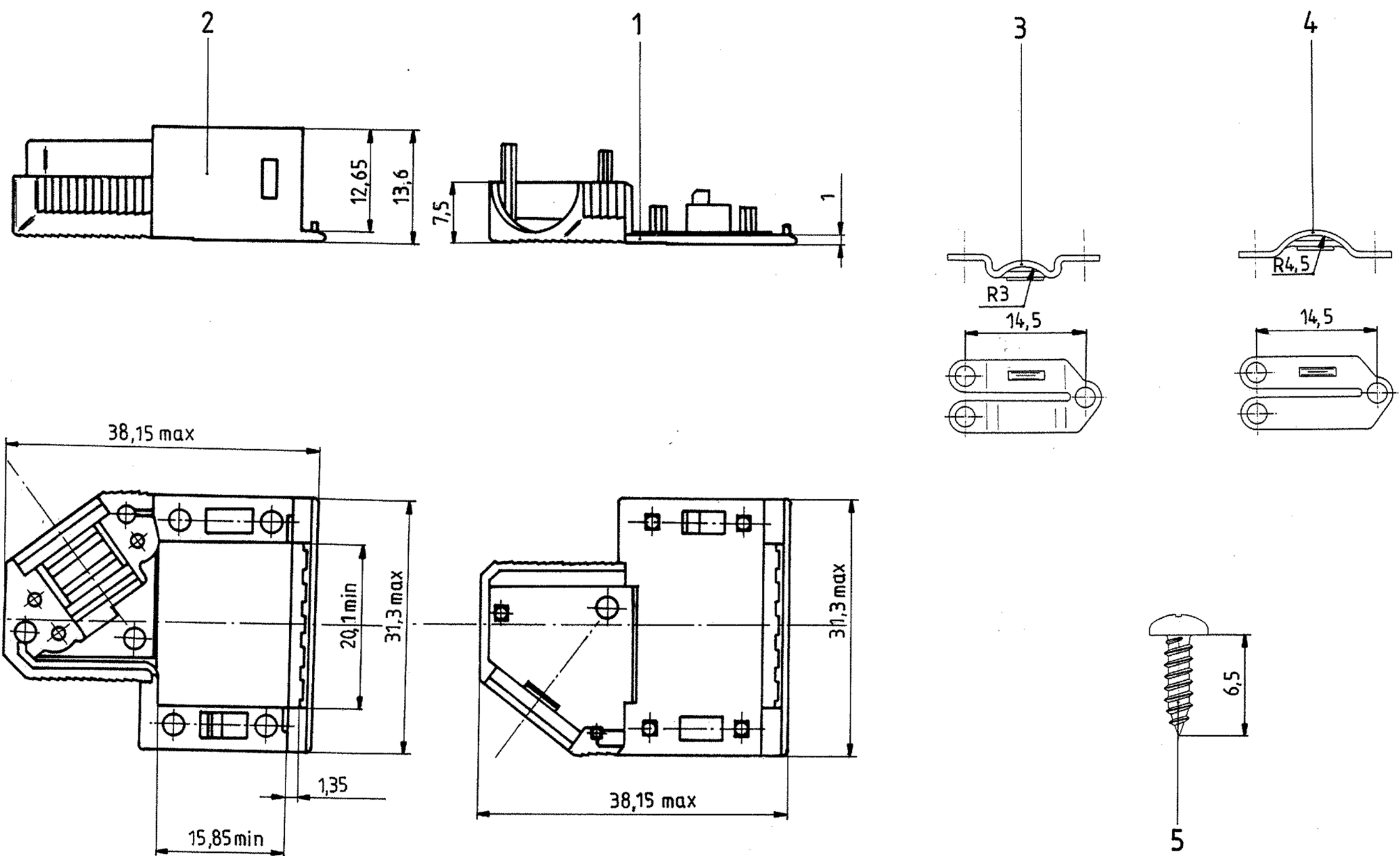


Sin nuestra expresa autorización, queda terminantemente prohibida la reproducción total o parcial de este documento, así como su uso indebido y/o su exhibición o comunicación a terceros. De los infractores se exigirá el correspondiente resarcimiento de daños y perjuicios. Se reserva todos los derechos para el caso de la concesión de patente de invención o el registro de Modelo Industrial.

Weitergabe sowie Vervielfältigung dieser Unterlage, Verwertung und Mitteilung ihres Inhalts nicht gestattet, soweit nicht ausdrücklich zugelassen. Zuwiderhandlungen verpflichten zu Schadenersatz. Alle Rechte für den Fall der Patenterteilung oder GM-Eintragung vorbehalten.

Copying of this document, and giving it to others and the use or communication of the contents thereof, are forbidden without express authority. Offenders are liable to the payment of damages. All rights are reserved in the event of the grant of a patent or the registration of a utility model or design.



P/N 9 contacts version: V42254-A6000-K\*09

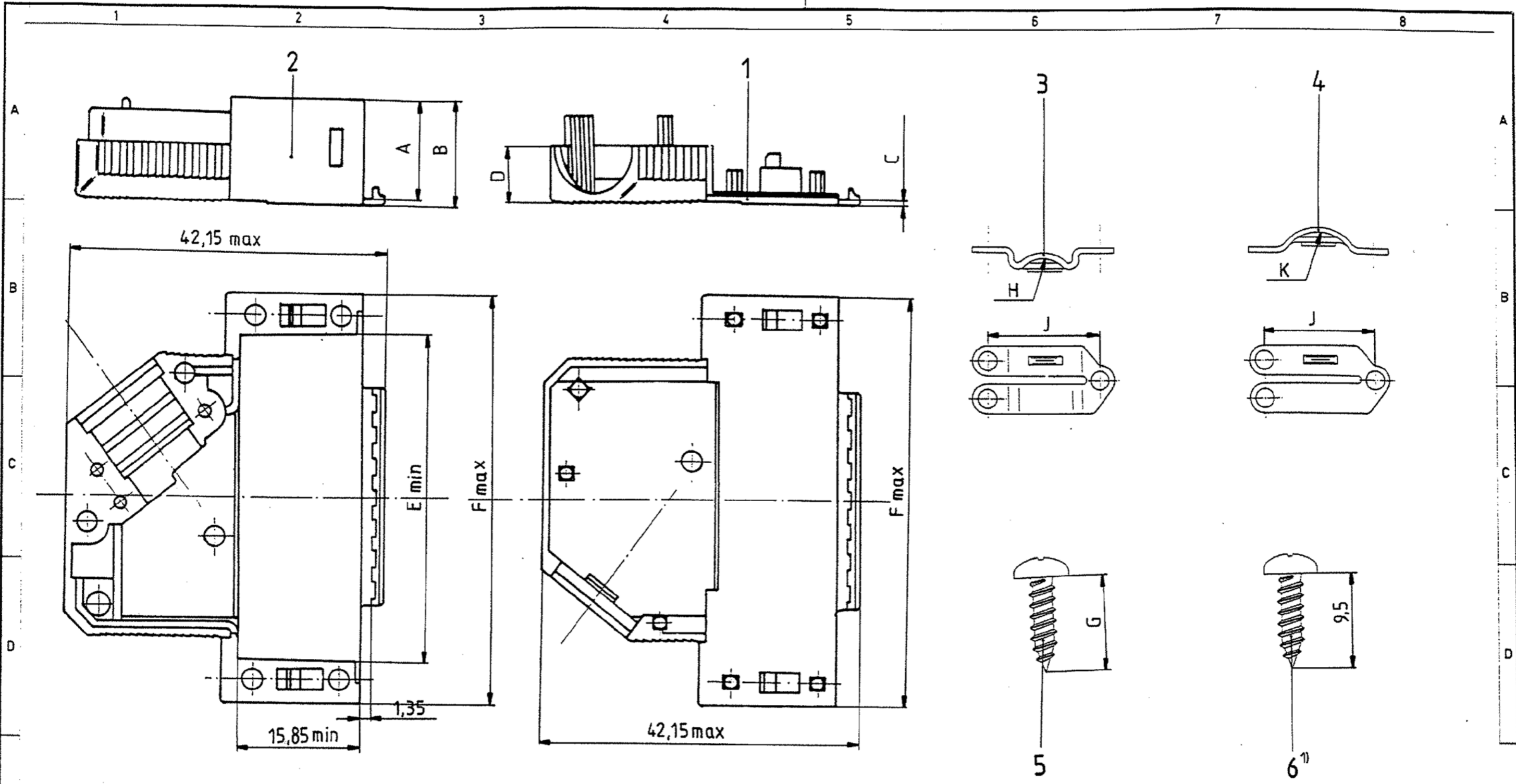
1 FOR PLASTIC PARTS (POS. 1 AND 2):  
 - LENGTHS: DIN 16901/130,  
 - ANGLES, FORMS: DIN 7168-m, R,  
 FOR METAL PARTS (POS. 3 AND 4): DIN 7168-m,  
 FOR SCREWS (POS. 5 AND 6): DIN 7981 F-H.

						Maßstab	
						Tyco Electronics Corporation Oostkamp - Belgium	
B	ECO-12-008266	24AUG12	CV	DATE	26.03.87	D-Sub Housing unshielded 9 contacts	
A2	ECR-10-017904	09DEC10	RK	NAME	De Petter		
A1	ECR-09-024033	16-02-10	RK	APP.	PD Com P&SE		
A	WO00/7013	03.07.00	KV				
03	WB89/176	27.06.89	VH	TOLERANCES UNLESS OTHERWISE SPECIFIED:		V42254-A6000-K***-*-27	
02	WB88/166	15.09.88					
01		02.05.88					
Zust	Mitteilung	Datum	Name			SHT. 1+ OF 4	
						customer drawing number: C 1-1393738-0	

da la reproducción total o parcial de este documento, así como su uso indebido y/o su exhibición o comunicación a terceros. De las infracciones se exigirá el correspondiente resarcimiento de daños y perjuicios. Se reserva todos los derechos para el caso de la existencia de patente de invención o el registro de Modelo Industrial.

Wiedergabe sowie Vervielfältigung dieses Urteils, Verbreitung und Mitteilung, Druck, Nachdruck, Verleihe, sowie sonstiger Ausbeutung, ist ohne schriftliche Genehmigung der Tyco Electronics Corporation untersagt. Alle Rechte vorbehalten. Falls ein Patentschutz besteht, ist die Verletzung vorbehalten.

Copying of this document, and giving it to others and the use or communication of the contents thereof, are forbidden without express authority. Offenders are liable to the payment of damages. All rights are reserved in the event of the grant of a patent or the registration of a utility model or design.



housing		dimension									
P/N	No. of contacts	A	B	C	D	E	F	G	H	J	K
V42254-A6000-											
K × 15	15					28,4	39,62		R3	14,5	R4,5
K × 25	25	13	14	1	7,5	42,2	53,52	6,5	R4	16	R5,5
K × 37	37					58,65	69,8				
K × 50	50	16	17,5	1,5	9,5	56,18	67,41	9,5	R5,5	20,6	R7

1) only for the 37 contacts version  
drawn is the 25 contacts version



		Tyco Electronics Corporation Oostkamp - Belgium	
		D-Sub Housing unshielded 15 to 50 contacts	
DATE 26.03.87		NAME De Petter	
APP. PD Com P&SE			
TOLERANCES UNLESS OTHERWISE SPECIFIED:			
B	SEE SHEET 1.		
Zust	Mittelung	Datum	Name
V42254-A6000-K***-*-27		SHT. 2-	
customer drawing number: C 1-1393738-0			



Active part numbers. Contact  
Tyco Electronics for  
other configuration availability

Old Part Number	TE Part Number	
V42254-A6000-K109	1-1393738-0	
V42254-A6000-K115	1-1393738-1	
V42254-A6000-K125	1-1393738-2	
V42254-A6000-K137	1-1393738-3	
V42254-A6000-K150	1-1393738-4	OBSOLETE
V42254-A6000-K315	1-1393738-6	
V42254-A6001-K125	4-1393738-7	SUPERSEDED BY 1-1393738-2
V42254-A6004-K109	7-1393738-3	OBSOLETE
V42254-A6004-K115	7-1393738-4	OBSOLETE
V42254-A6004-K137	7-1393738-6	OBSOLETE
V42254-A6004-K150	7-1393738-7	
V42254-A6004-K309	1-1393739-5	SUPERSEDED BY 1-1393738-0, 5-1393738-3
V42254-A6004-K315	7-1393738-8	OBSOLETE
V42254-A6004-K325	1-1393739-6	OBSOLETE
V42254-A6004-K337	1-1393739-7	SUPERSEDED BY 1-1393738-3
V42254-A6004-K350	1-1393739-8	SUPERSEDED BY 1-1393738-4
V42254-A6004-K409	7-1393738-9	OBSOLETE
V42254-A6004-K415	8-1393738-0	OBSOLETE
V42254-A6004-K425	8-1393738-1	OBSOLETE
V42254-A6004-K450	8-1393738-2	OBSOLETE

THIS INFORMATION IS CONFIDENTIAL AND PROPRIETARY TO TYCO ELECTRONICS CORPORATION AND ITS WORLDWIDE SUBSIDIARIES AND AFFILIATES. IT MAY NOT BE DISCLOSED TO ANYONE, OTHER THAN TYCO ELECTRONICS PERSONNEL, WITHOUT WRITTEN AUTHORIZATION FROM TYCO ELECTRONICS CORPORATION, HARRISBURG, PENNSYLVANIA USA.

		Tyco Electronics Corporation Oostkamp - Belgium			SCALE	WEIGHT
		LOC DIMENSIONS GW IN MM		MATERIAL		
		DATE 26.03.87 NAME De Petter DEP. PD Com P&SE EC		PART NAME		
		TOLERANCE UNLESS SPECIFIED OTHERWISE		D-Sub Housing unshielded		
B SEE SHEET 1				PART NO.		SHT. 4-
REV. CHANGE ORDER		DATE		APP. customer drawing number: C 1-1393738-0		OF 4

PROPRIETARY:

# Mouser Electronics

Authorized Distributor

Click to View Pricing, Inventory, Delivery & Lifecycle Information:

[TE Connectivity:](#)

[1-1393738-2](#)