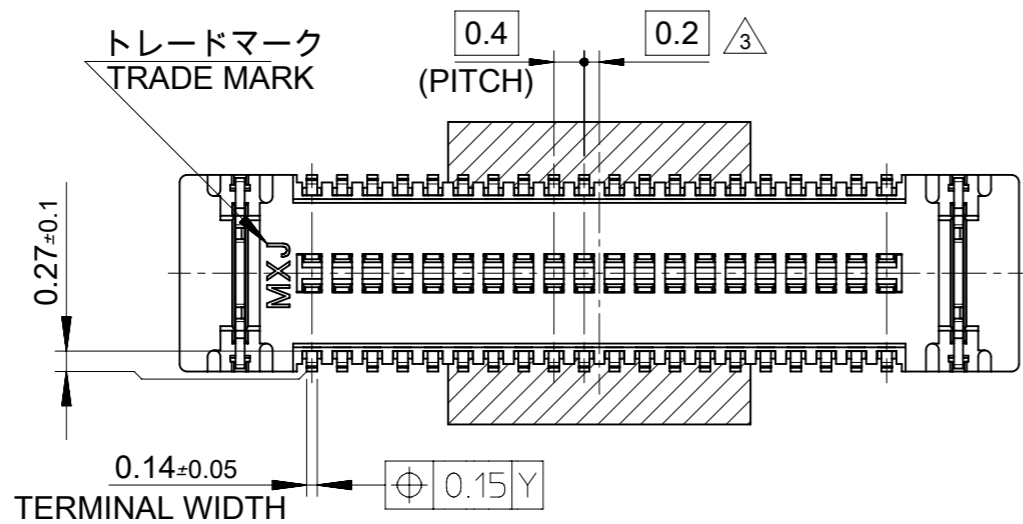
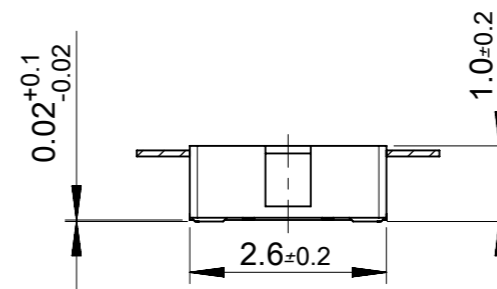
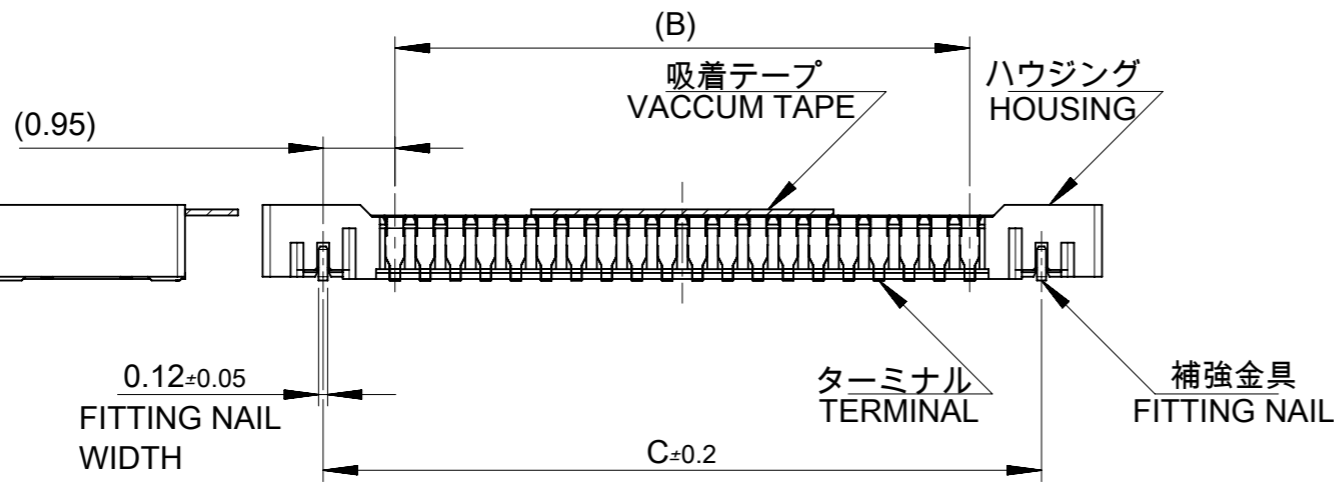
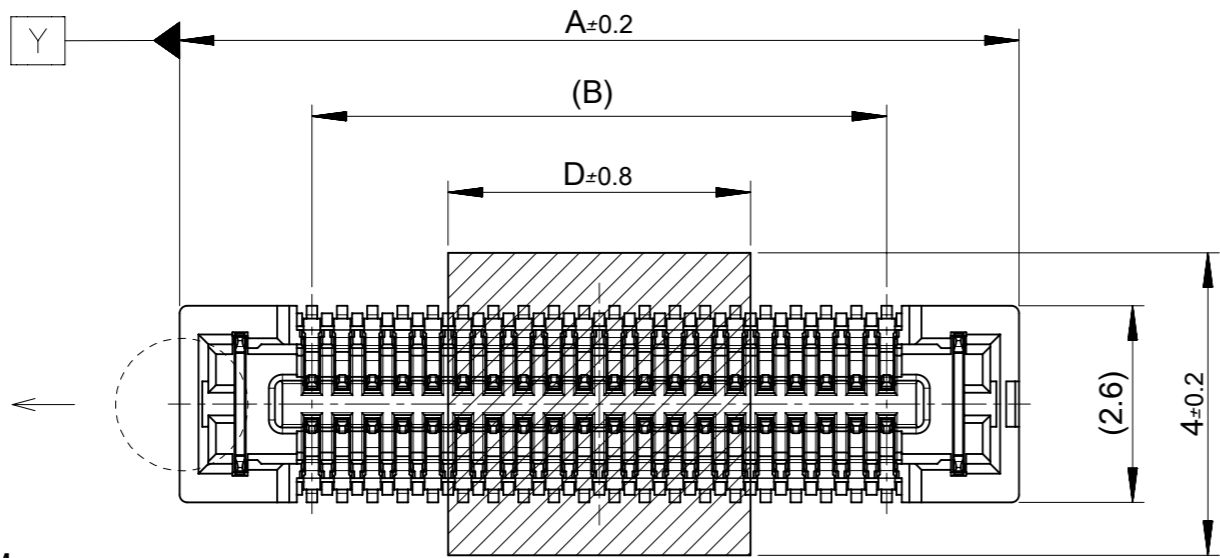


80極品に適用  
For 80Pin ITEM

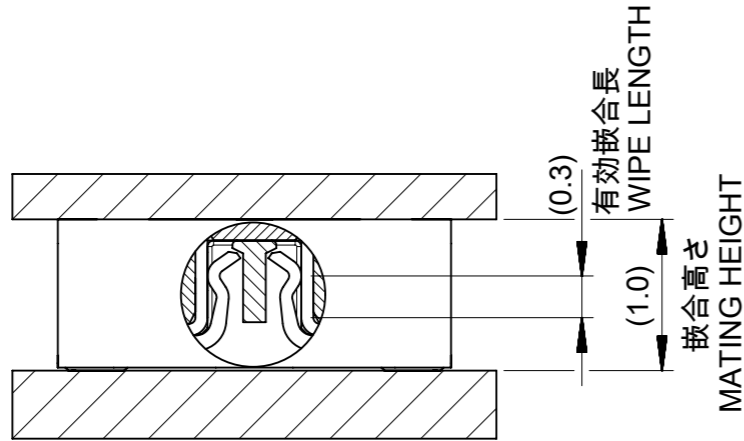
80極品に適用  
For 80Pin ITEM



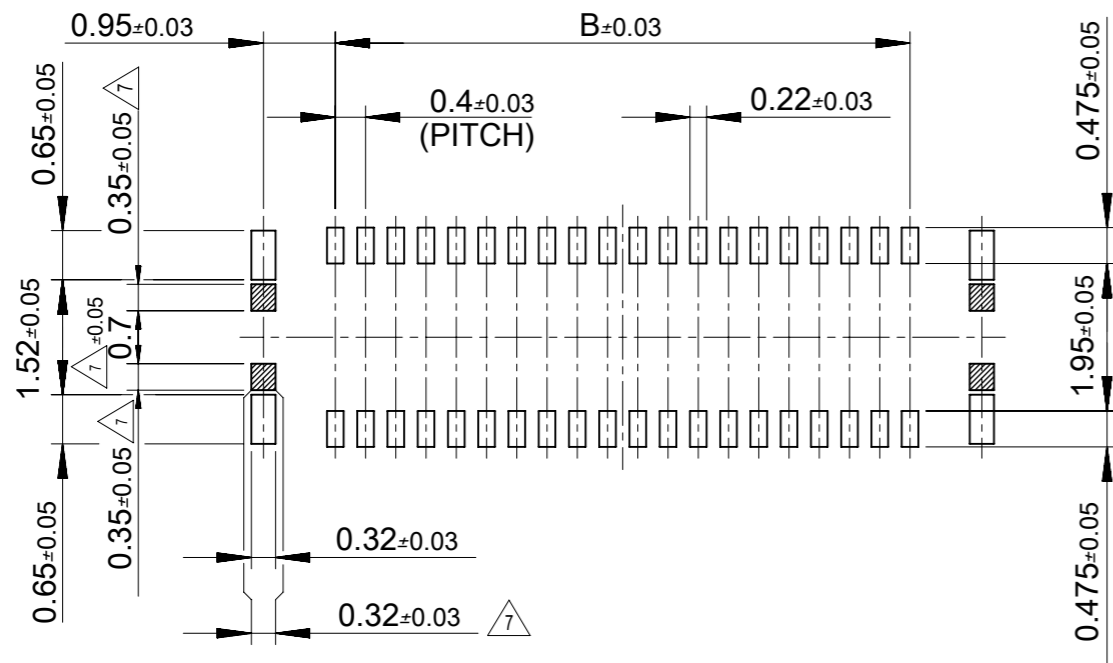
10.0	17.5	15.6	19.1	502426-8030	80
	15.5	13.6	17.1	502426-7030	70
7.0	13.5	11.6	15.1	502426-6030	60
	11.5	9.6	13.1	502426-5030	50
4.0	9.5	7.6	11.1	502426-4030	40
	7.9	6.0	9.5	502426-3230	32
3.4	7.5	5.6	9.1	502426-3030	30
	6.7	4.8	8.3	502426-2630	26
	6.3	4.4	7.9	502426-2430	24
2.4	5.9	4.0	7.5	502426-2230	22
	5.5	3.6	7.1	502426-2030	20
D	C	B	A	502426-1430	14
				EMBOSSED TAPE PACKAGE	CKT.
				ORDER No.	

CONNECTOR SERIES No. : 502426-\*\*39

DIMENSION UNITS		SCALE	CURRENT REV DESC: REVISED		molex		
mm		10:1			0.4 B-TO-B CONN. HGT=1.0 W=2.6 REC ASSY WITH TAPE		
GENERAL TOLERANCES (UNLESS SPECIFIED)				PRODUCT CUSTOMER DRAWING			
ANGULAR TOL	±			DOCUMENT NUMBER			
4 PLACES	±			DOC TYPE			
3 PLACES	±			DOC PART			
2 PLACES	±			REVISION			
1 PLACE	±			SD-502426-003			
0 PLACES	±			PSD 001 F			
DRAFT WHERE APPLICABLE MUST REMAIN WITHIN DIMENSIONS		THIRD ANGLE PROJECTION		DRAWING		SERIES	
		A3-SIZE		502426		MATERIAL NUMBER	
				SEE TABLE		CUSTOMER	
				GENERAL		SHEET NUMBER	
				1 OF 2			



嵌合断面図 (参考)  
MATED DRAWING (REFERENCE)



P.C.BOARD PATTERN LAYOUT  
(REFERENCE)

注記 NOTE

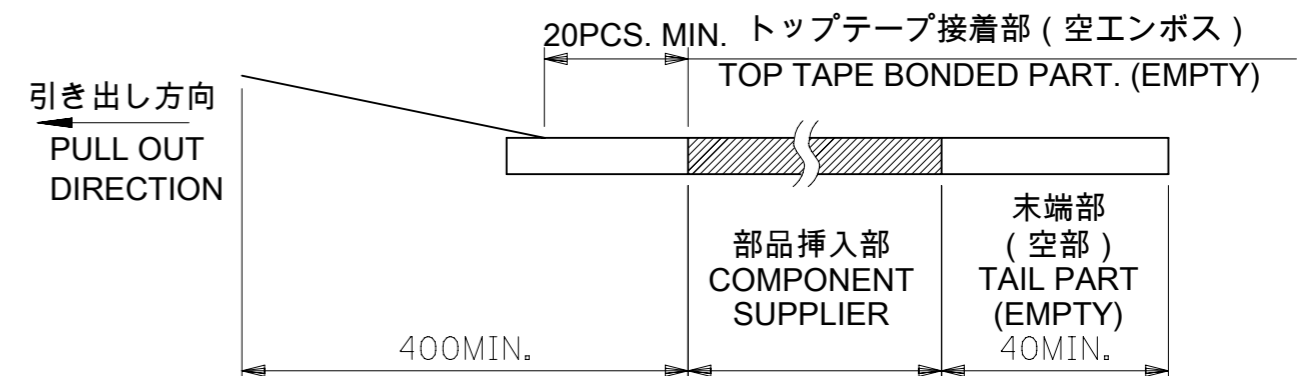
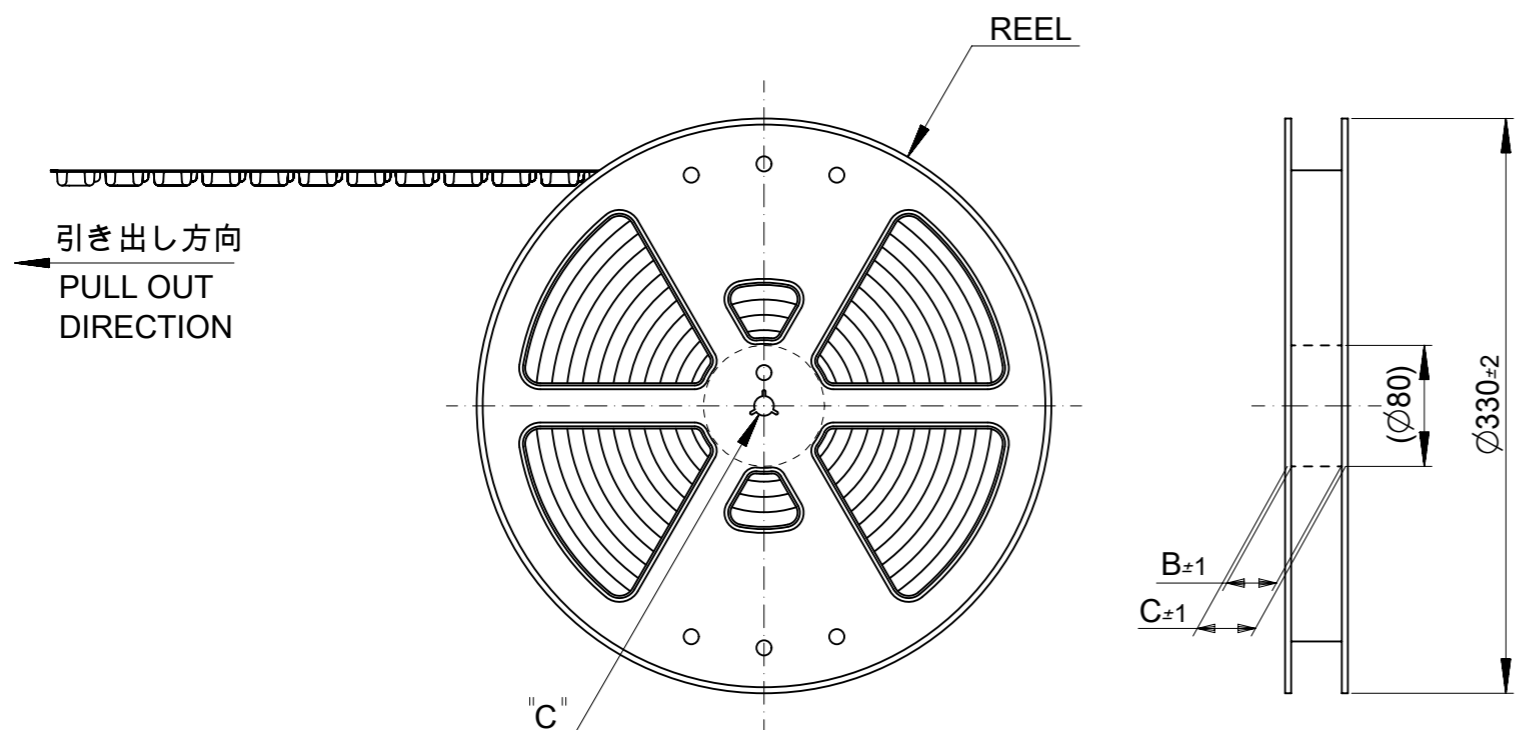
1. 使用材料 MATERIAL  
ハウジング：液晶ポリマー (LCP) ガラス充填 UL94V-0 (黒)  
HOUSING: LIQUID CRYSTAL POLYMER (GLASS FILLED) UL94V-0 (COLOR: BLACK)  
ターミナル：りん青銅 (t=0.1)  
TERMINAL: PHOSPHOR BRONZE (t=0.1)  
金具：りん青銅 (t=0.12)  
FITTING NAIL: PHOSPHOR BRONZE (t=0.12)  
吸着テープ：ポリイミド  
VACUUM TAPE: POLYIMIDE
2. メッキ仕様 PLATING  
ターミナル TERMINAL  
コンタクト部：金メッキ0.1マイクロメートル以上  
CONTACT AREA: GOLD 0.1 MICROMETER MINIMUM.  
テール部：金メッキ0.05マイクロメートル以上  
TAIL AREA: GOLD 0.05 MICROMETER MINIMUM.  
下地メッキ：ニッケルメッキ 1.0マイクロメートル以上  
UNDER PLATING: NICKEL 1.0 MICROMETER MINIMUM  
※コンタクト部とテール部はニッケルメッキによって分断されている金メッキです。  
DIVIDE INTO PARTS THE GOLD PLATING OF THE CONTACT AND THE TAIL PART BY THE NICKEL PLATING.
- 金具 FITTING NAIL  
フラッシュ金メッキ  
FLASH Au PLATING  
下地メッキ：ニッケルメッキ 1.0マイクロメートル以上  
UNDER PLATING: NICKEL 1.0 MICROMETER MINIMUM

- △<sub>3</sub> (全極数 / 2) = 偶数の場合に適用。  
APPLY FOR (CIRCUIT/2)=EVEN.
- 4. 嵌合相手：502430シリーズ  
MATE WITH: 502430 SERIES.
- 5. テール平坦度は、0.08以下  
TAIL COPLANARITY TO BE 0.08 MAXIMUM.  
テール及び金具の平坦度は、0.1以下  
TAIL AND FITTING NAIL COPLANARITY TO BE 0.1 MAXIMUM.
- 6. ELV 及び RoHS 適合品  
ELV AND RoHS COMPLIANT.
- △<sub>7</sub> 斜線部はパターン書込み禁止範囲と半田禁止範囲を示す。  
ただし、斜線部に補強金具と同一配線を配置する場合はレジストを施し、この部分に半田は無きこと。  
NO PATTERN CIRCUIT AND NO SOLDER ALLOWED IN THE SHADED AREA.  
HOWEVER, IF NEEDED TO ADD A TRACE OF THE SAME CIRCUIT, PUT THE SOLDER-RESIST, YET NO SOLDER ALLOWED IN THE AREA.

THIS DRAWING CONTAINS INFORMATION THAT IS PROPRIETARY TO MOLEX ELECTRONIC TECHNOLOGIES, LLC AND SHOULD NOT BE USED WITHOUT WRITTEN PERMISSION		CURRENT REV DESC: REVISED		<b>molex</b>	
DIMENSION UNITS	SCALE				
mm	10:1			PRODUCT CUSTOMER DRAWING	
GENERAL TOLERANCES (UNLESS SPECIFIED)		EC NO: 639809		DOCUMENT NUMBER	
ANGULAR TOL	± °	DRWN: SCV 2020/06/24		SD-502426-003	
4 PLACES	±	CHK'D: HSHIMOYAMA 2020/07/02		DOC TYPE DOC PART REVISION	
3 PLACES	±	APPR: SHOSHIKAWA 2020/07/02		PSD 001 F	
2 PLACES	±	INITIAL REVISION:		MATERIAL NUMBER	
1 PLACE	±	DRWN: RTAKEUCHI 2007/12/26		CUSTOMER	
0 PLACES	±	APPR: MSASAO 2007/12/27		GENERAL	
DRAFT WHERE APPLICABLE MUST REMAIN WITHIN DIMENSIONS		THIRD ANGLE PROJECTION	DRAWING	SERIES	SHEET NUMBER
			A3-SIZE	502426	2 OF 2

注記 NOTES

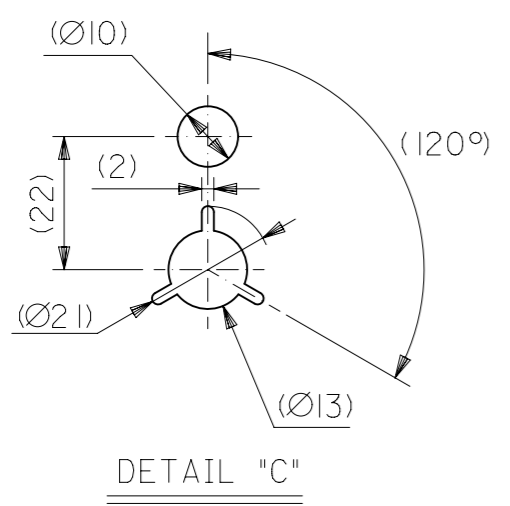
- 製品詳細寸法については製品単体図面を参照下さい。  
DETAIL DIMENSION, SEE PRODUCT DRAWING.
- 梱包数量 : 3000 個 / リール  
NUMBER OF CONNECTORS : 3000PCS/REEL
- リードテープ長さ LEAD TAPE LENGTH



4. 材料 MATERIAL

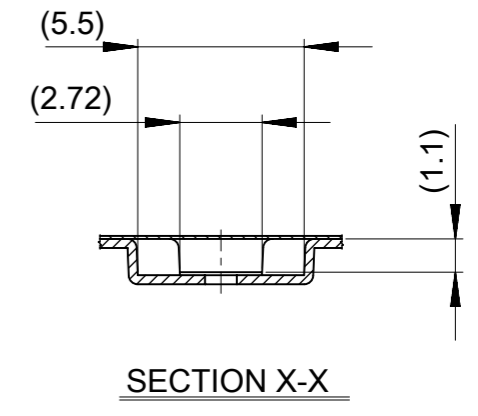
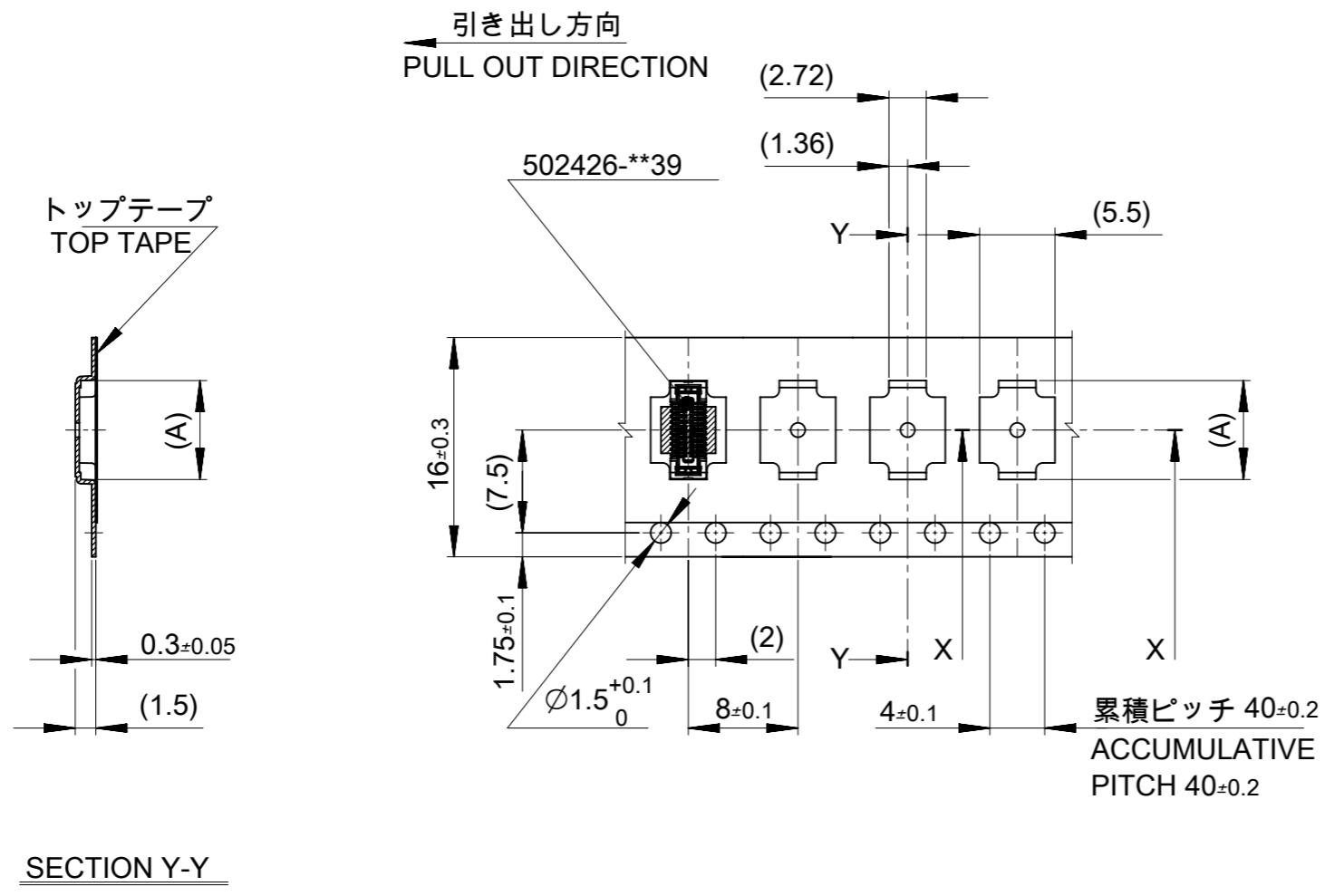
キャリアテープ (CARRIER TAPE) : ポリスチレン (POLYSTYRENE)  
 トップテープ (TOP TAPE) : PET , PE , PEF  
 リール(REEL) : ポリスチレン (PS) <リサイクル材を含む>  
 POLYSTYRENE (PS) <RECYCLE MATERIAL CONTAINED>

5. ELV 及び RoHS適合品  
 ELV AND RoHS COMPLIANT



MODEL NO. 502426-\*\*30

THIS DRAWING CONTAINS INFORMATION THAT IS PROPRIETARY TO MOLEX ELECTRONIC TECHNOLOGIES, LLC AND SHOULD NOT BE USED WITHOUT WRITTEN PERMISSION		CURRENT REV DESC: REVISED		<b>molex</b>	
DIMENSION UNITS	SCALE				
mm	NTS			PRODUCT CUSTOMER DRAWING	
GENERAL TOLERANCES (UNLESS SPECIFIED)		EC NO: 639809		DOCUMENT NUMBER	
ANGULAR TOL	± °	DRWN: SCV 2020/06/24		SD-502426-004	
4 PLACES	±	CHK'D: HSHIMOYAMA 2020/07/02		DOC TYPE DOC PART DIVISION	
3 PLACES	±	APPR: SHOSHIKAWA 2020/07/02		PSD 001 E	
2 PLACES	±	INITIAL REVISION:		MATERIAL NUMBER	
1 PLACE	±	DRWN: RTAKEUCHI 2007/12/26		CUSTOMER	
0 PLACES	±	APPR: MSASAO 2007/12/27		GENERAL	
DRAFT WHERE APPLICABLE MUST REMAIN WITHIN DIMENSIONS		THIRD ANGLE PROJECTION	DRAWING	SERIES	SHEET NUMBER
			A3-SIZE	502426	1 OF 4

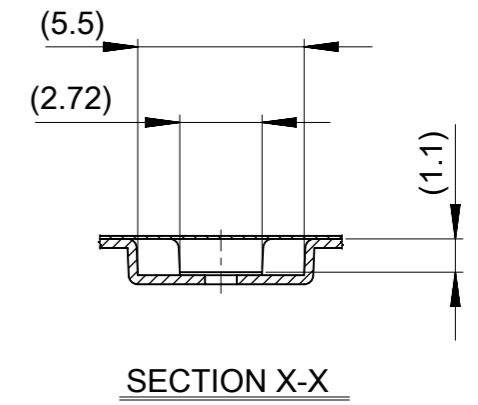
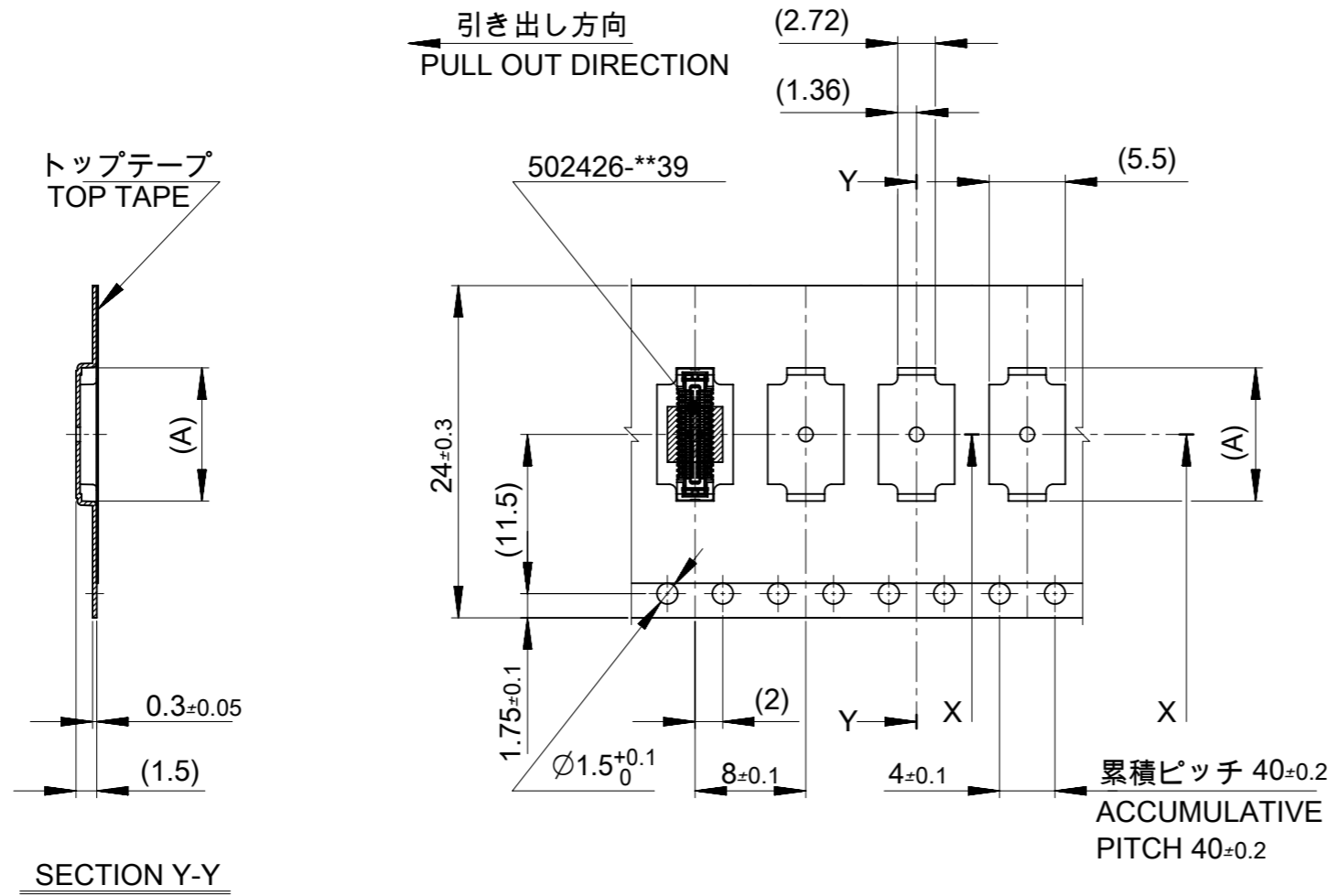


16mm 幅キャリアテープ  
16mm WIDTH CARRIER TAPE

16	21.4	17.4	8.42	502426-2630	26
			8.02	502426-2430	24
			7.62	502426-2230	22
			7.22	502426-2030	20
			6.02	502426-1430	14
キャリアテープ幅 CARRIER TAPE WIDTH			C	B	(A)
			MATERIAL No.	CKT.	
			MODEL No.	502426-**-30	

THIS DRAWING CONTAINS INFORMATION THAT IS PROPRIETARY TO MOLEX ELECTRONIC TECHNOLOGIES, LLC AND SHOULD NOT BE USED WITHOUT WRITTEN PERMISSION

DIMENSION UNITS mm	SCALE NTS	CURRENT REV DESC: REVISED		<b>molex</b>		
GENERAL TOLERANCES (UNLESS SPECIFIED)		EC NO: 639809				
ANGULAR TOL	± °	DRWN: SCV 2020/06/24		PRODUCT CUSTOMER DRAWING		
4 PLACES	±	CHK'D: HSHIMUYAMA 2020/07/02		DOCUMENT NUMBER		
3 PLACES	±	APPR: SHOSHIKAWA 2020/07/02		SD-502426-004		
2 PLACES	±	INITIAL REVISION:		DOC TYPE		
1 PLACE	±	DRWN: RTAKEUCHI 2007/12/26		PSD		
0 PLACES	±	APPR: MSASAO 2007/12/27		DOC PART		
DRAFT WHERE APPLICABLE MUST REMAIN WITHIN DIMENSIONS		THIRD ANGLE PROJECTION	DRAWING	SERIES	MATERIAL NUMBER	CUSTOMER
			A3-SIZE	502426	SEE TABLE	GENERAL
						REVISION
						001 E
						SHEET NUMBER
						2 OF 4

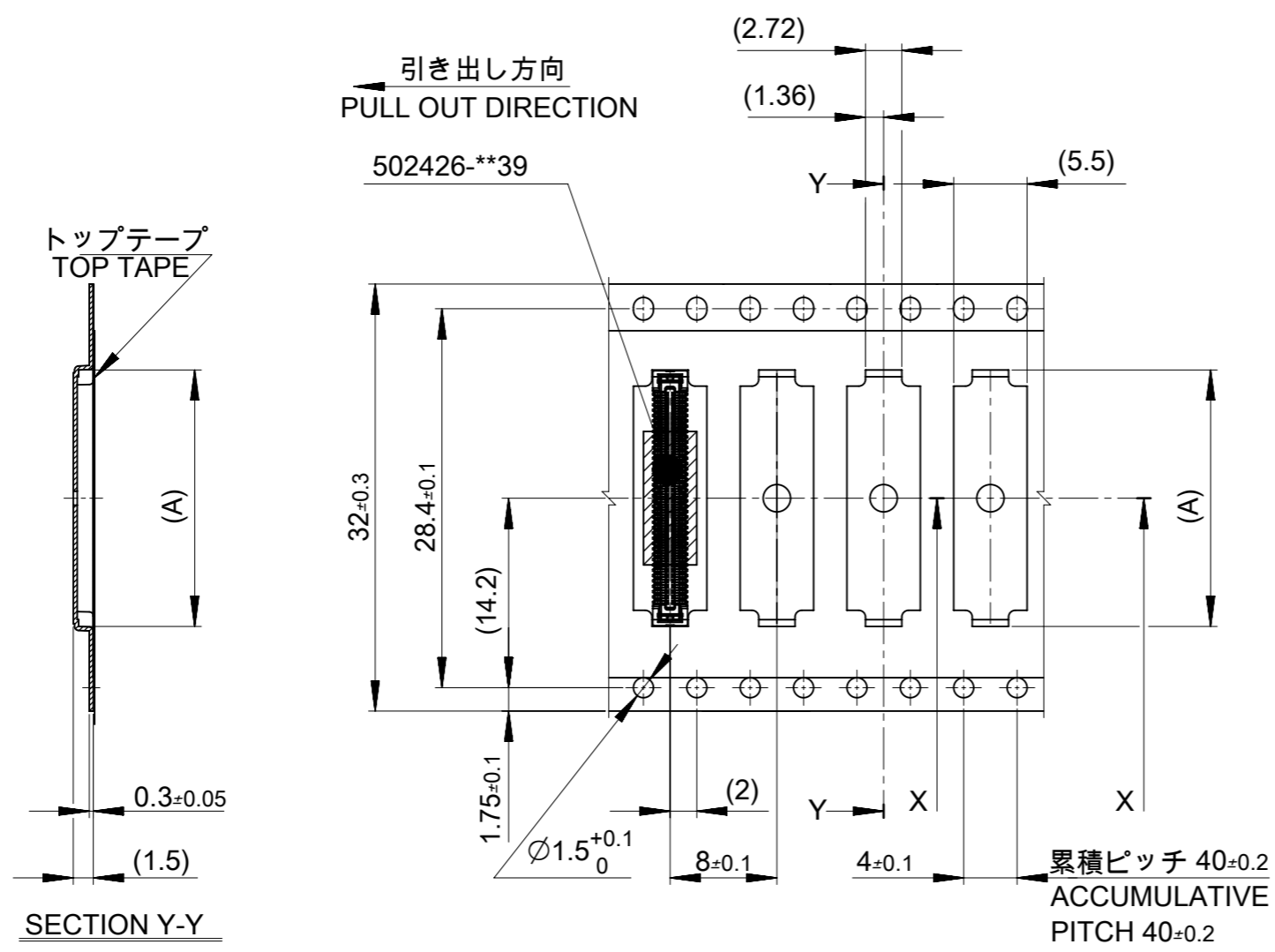


24mm 幅キャリアテープ  
24mm WIDTH CARRIER TAPE

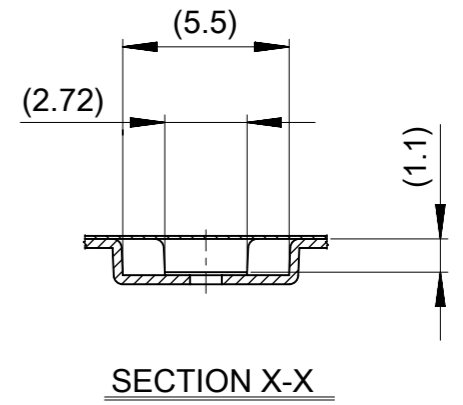
24	29.4	25.4	15.22	502426-6030	60	
			13.22	502426-5030	50	
			11.22	502426-4030	40	
			9.62	502426-3230	32	
			9.22	502426-3030	30	
キャリアテープ幅 CARRIER TAPE WIDTH		C	B	(A)	MATERIAL No.	CKT.
				MODEL No.	502426-**-30	

THIS DRAWING CONTAINS INFORMATION THAT IS PROPRIETARY TO MOLEX ELECTRONIC TECHNOLOGIES, LLC AND SHOULD NOT BE USED WITHOUT WRITTEN PERMISSION

DIMENSION UNITS mm	SCALE NTS	CURRENT REV DESC: REVISED		<b>molex</b>			
GENERAL TOLERANCES (UNLESS SPECIFIED)		EC NO: 639809					0.4 B-TO-B CONN. HGT=1.0 REC ASSY WITH TAPE EMBSTP PKG
ANGULAR TOL	± °	DRWN: SCV		PRODUCT CUSTOMER DRAWING			
4 PLACES	±	CHK'D: HSHIMOMYAMA		DOCUMENT NUMBER			
3 PLACES	±	APPR: SHOSHIKAWA		SD-502426-004			
2 PLACES	±	INITIAL REVISION:		DOC TYPE			
1 PLACE	±	DRWN: RTAKEUCHI		DOC PART			
0 PLACES	±	APPR: MSASAO		REVISION			
DRAFT WHERE APPLICABLE MUST REMAIN WITHIN DIMENSIONS		THIRD ANGLE PROJECTION	DRAWING	SERIES	MATERIAL NUMBER	CUSTOMER	SHEET NUMBER
			A3-SIZE	502426	SEE TABLE	GENERAL	3 OF 4



32mm 幅キャリアテープ  
32mm WIDTH CARRIER TAPE



32	37.4	33.4	19.22	502426-8030	80
			17.22	502426-7030	70
キャリアテープ幅 CARRIER TAPE WIDTH			C	B	(A)
			MATERIAL No.		CKT.
			MODEL No. 502426-**30		

THIS DRAWING CONTAINS INFORMATION THAT IS PROPRIETARY TO MOLEX ELECTRONIC TECHNOLOGIES, LLC AND SHOULD NOT BE USED WITHOUT WRITTEN PERMISSION

DIMENSION UNITS mm	SCALE NTS	CURRENT REV DESC: REVISED					
GENERAL TOLERANCES (UNLESS SPECIFIED)		<p><b>molex</b></p> <p>0.4 B-TO-B CONN. HGT=1.0 REC ASSY WITH TAPE EMBSTP PKG</p> <p>PRODUCT CUSTOMER DRAWING</p>					
ANGULAR TOL	± °						
4 PLACES	±					EC NO: 639809	2020/06/24
3 PLACES	±					DRWN: SCV	2020/07/02
2 PLACES	±					CHK'D: HSHIMOMYAMA	2020/07/02
1 PLACE	±					APPR: SHOSHIKAWA	2020/07/02
0 PLACES	±	INITIAL REVISION:					
DRAFT WHERE APPLICABLE MUST REMAIN WITHIN DIMENSIONS		DRWN: RTAKEUCHI	2007/12/26	DOCUMENT NUMBER	DOC TYPE		
THIRD ANGLE PROJECTION		APPR: MSASAO	2007/12/27	SD-502426-004	PSD		
DRAWING		SERIES	MATERIAL NUMBER	CUSTOMER	DOC PART		
A3-SIZE		502426	SEE TABLE	GENERAL	001		
					REVISION		
					E		
					SHEET NUMBER		
					4 OF 4		