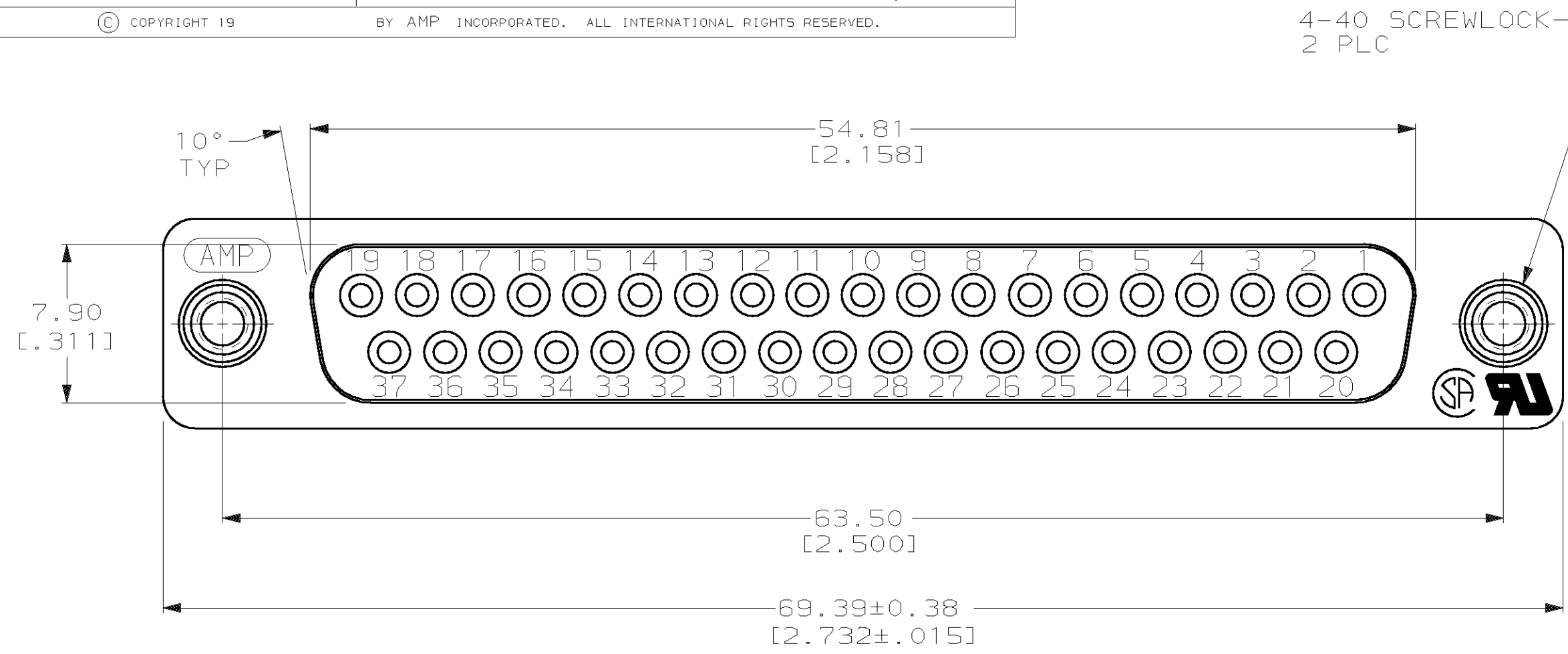
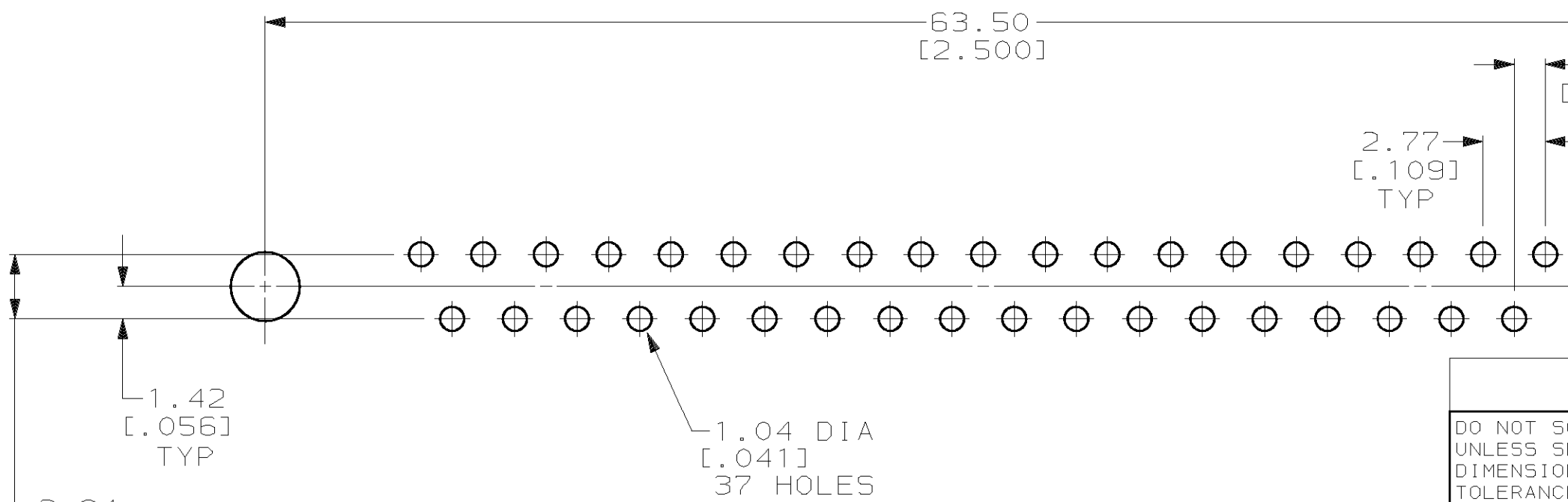
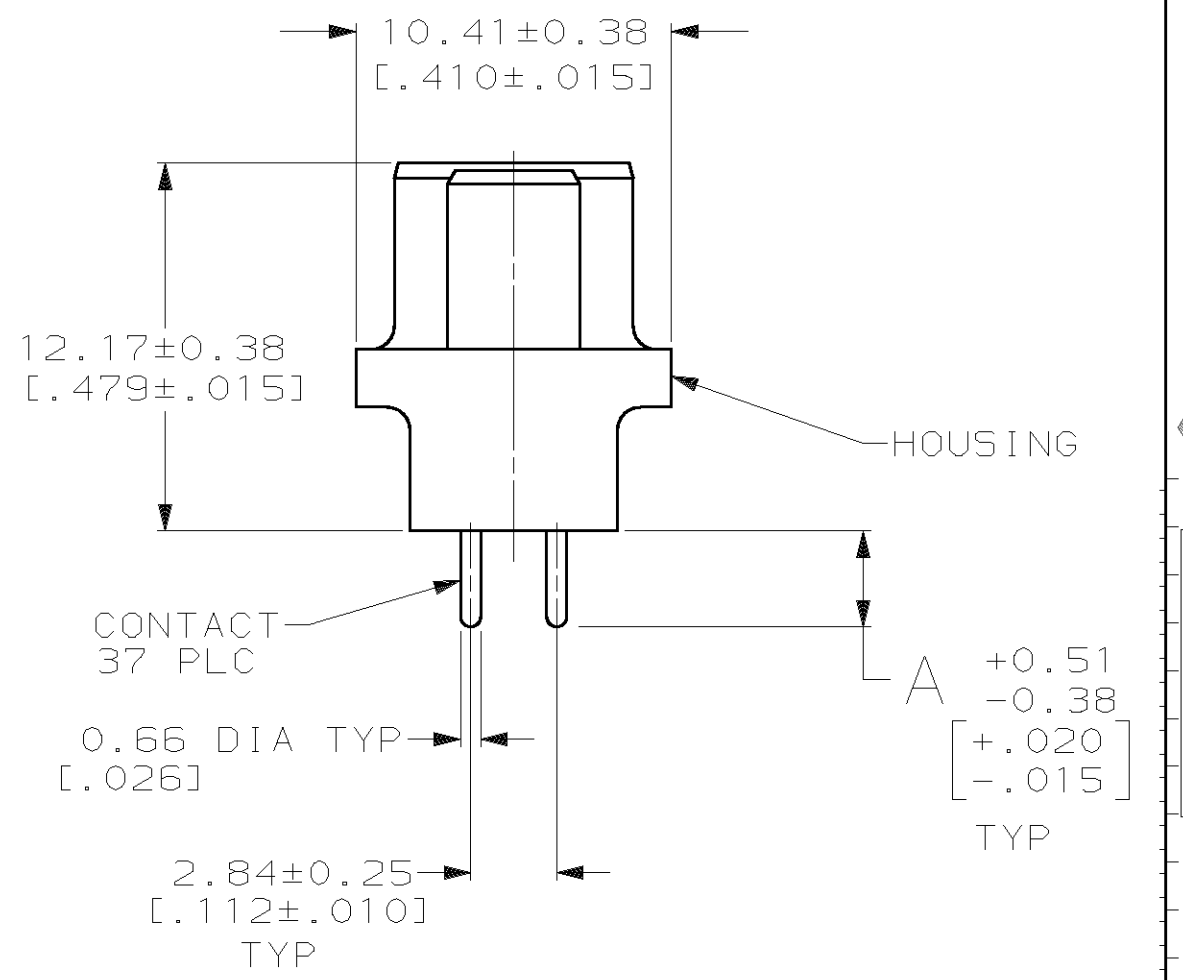
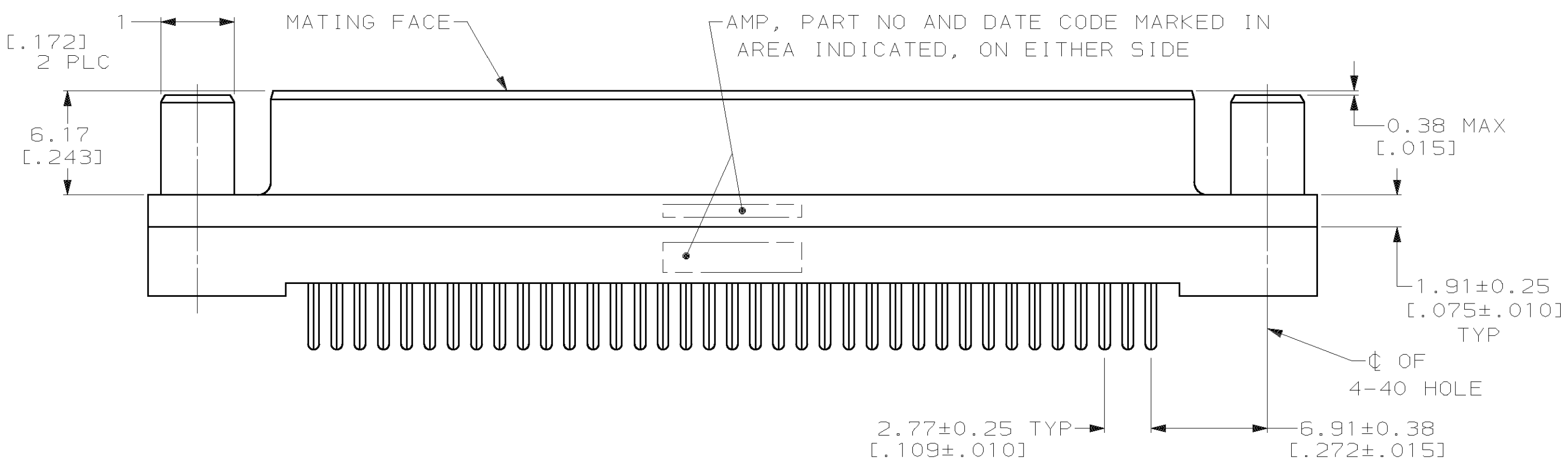


THIS DRAWING IS UNPUBLISHED. RELEASED FOR PUBLICATION
 © COPYRIGHT 19 BY AMP INCORPORATED. ALL INTERNATIONAL RIGHTS RESERVED.

MOD		LOC		DIST		P		F		REVISIONS			
ZONE	LTR	DESCRIPTION		DATE	APPD								
9	BD	77								C	REDRAWN & REVISED, ECN BD3361	11-89	SS
										D	REV PER ECN BD4888	05/16/91	-
										E	OBS 745079-7, -8 BD6038	06/10/92	CR
										F	OBS -3, -5 AND REV PER ECN OU1D-0126-00	14 NOV 00	RF



- ① HOUSING: BLACK POLYESTER, UL 94V-0 RATED; CONTACTS: PHOSPHOR BRONZE PER QQ-B-750; SCREWLOCKS: BRASS PER QQ-B-626.
- ② GOLD PLATING PER MIL-G-45204, TIN PLATING PER MIL-T-10727, NICKEL PLATING PER QQ-N-290.
- ③ GOLD FLASH FOR A LENGTH OF 2.54[.100] MIN FROM MATING END, 2.54µm[.000100] MIN TIN OR TIN-LEAD FOR A LENGTH OF DIMENSION A FROM OPPOSITE END, ALL OVER 1.27µm[.000050] MIN NICKEL.
- ④ 0.76µm[.000030] MIN GOLD FOR A LENGTH OF 2.54[.100] MIN FROM MATING END, 2.54µm[.000100] MIN TIN OR TIN-LEAD FOR A LENGTH OF DIMENSION A FROM OPPOSITE END, ALL OVER 1.27µm[.000050] MIN NICKEL.
- ⑤ 1.27µm[.000050] MIN NICKEL OVER COPPER FLASH.



	A	CONTACT FINISH	PART NO
OBSOLETE	6.35 [.250]	④	745079-8
OBSOLETE	6.35 [.250]	③	745079-7
	4.32 [.170]	④	745079-6
OBSOLETE	4.32 [.170]	③	745079-5
	3.18 [.125]	④	745079-4
OBSOLETE	3.18 [.125]	③	745079-3

DO NOT SCALE PRINT. UNLESS SPECIFIED DIMENSIONS IN mm [INCHES] TOLERANCES ON: 2 PLC DEC ± 0.13 [.005] 3 PLC DEC ± - ANGLES ± 2°		DR 11-16-89 J McCLINTON	
MATERIAL		CHK 2-1-90 R. STONE	
FINISH ②		APPD 2-2-90 S. SCHIEFERLY	
CONTACT: SEE TABLE		APPD 2-2-90 C. ROHDE	
SCREWLOCK: ⑤		PRODUCT SPEC 108-40025	
		APPLICATION SPEC -	
		WEIGHT -	
		NAME RECEPTACLE ASSEMBLY, SIZE 4, 37 POSN, VERTICAL, AMPLIMITE® HD-20	
		SIZE C	
		CAGE CODE 00779	
		DRAWING NO 745079	
		SCALE 4:1	
		SHEET 1 OF 1	

Mouser Electronics

Authorized Distributor

Click to View Pricing, Inventory, Delivery & Lifecycle Information:

[TE Connectivity:](#)

[745079-6](#)