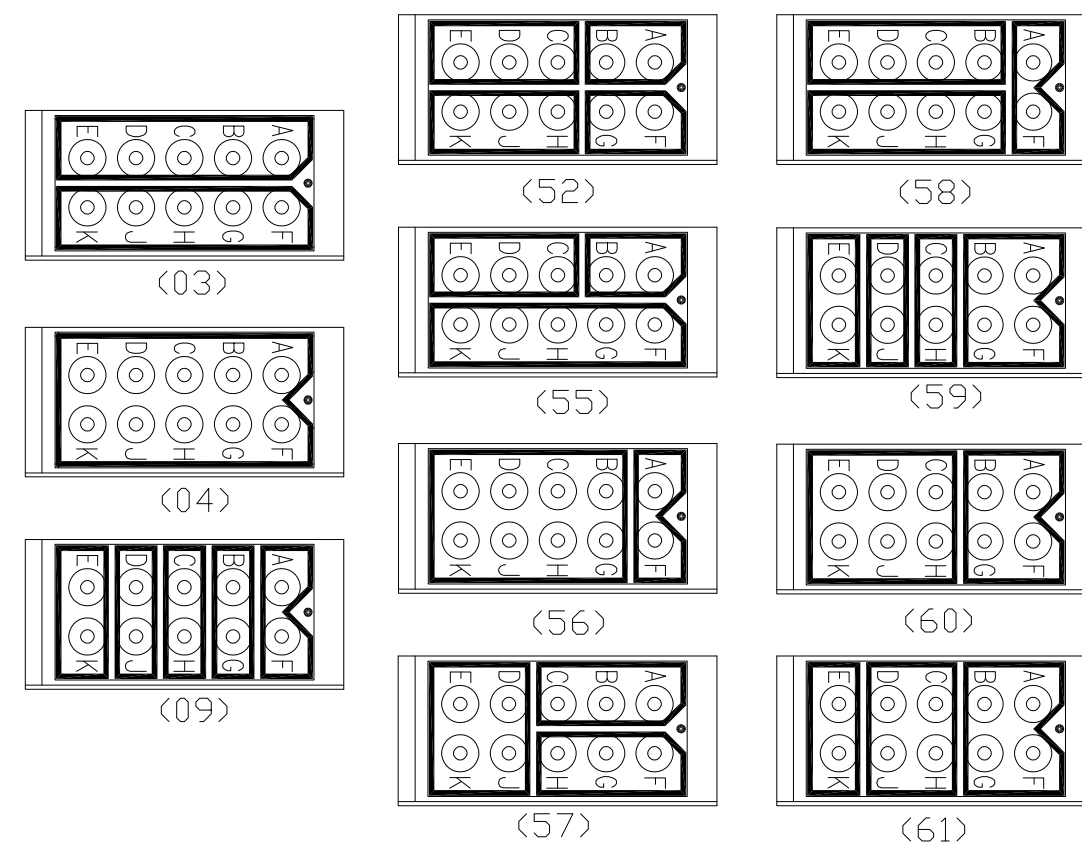
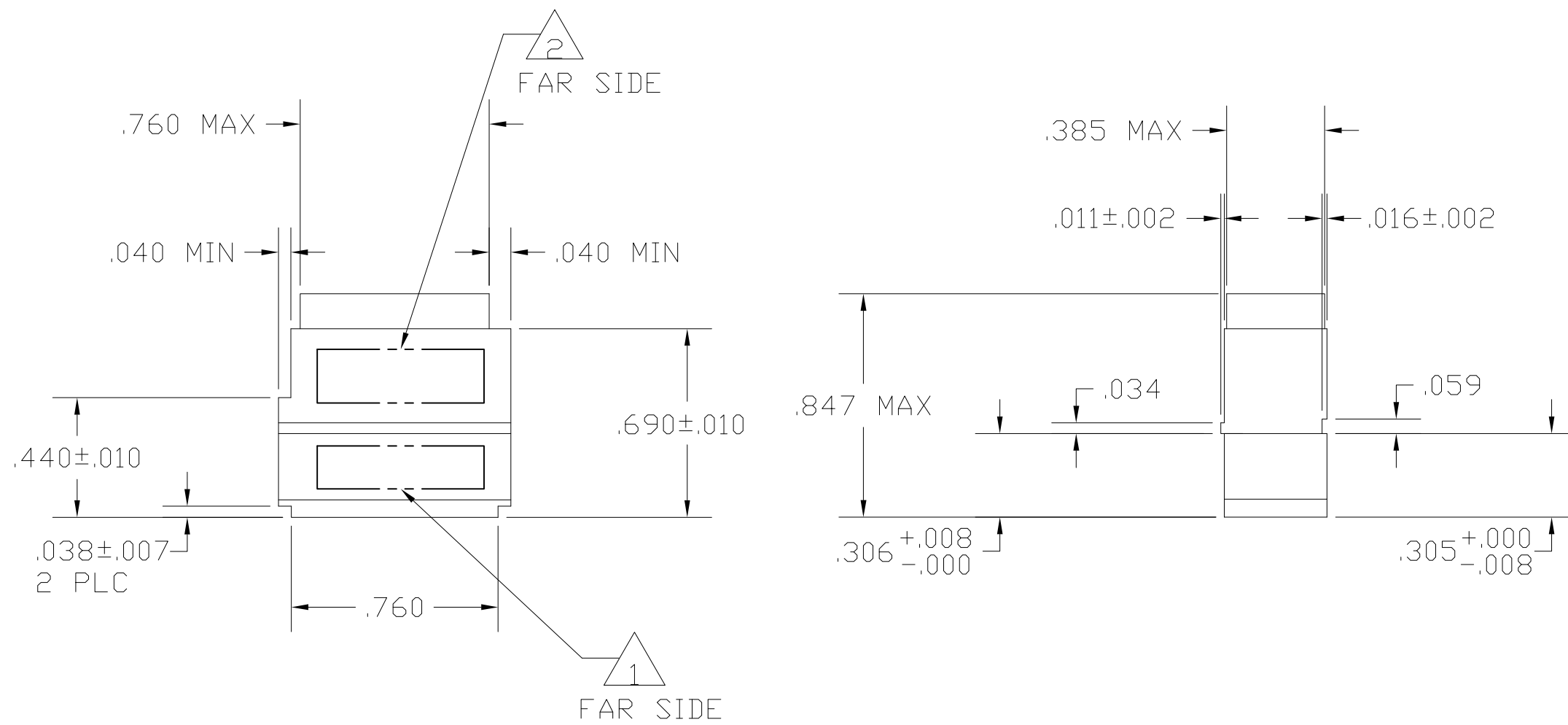
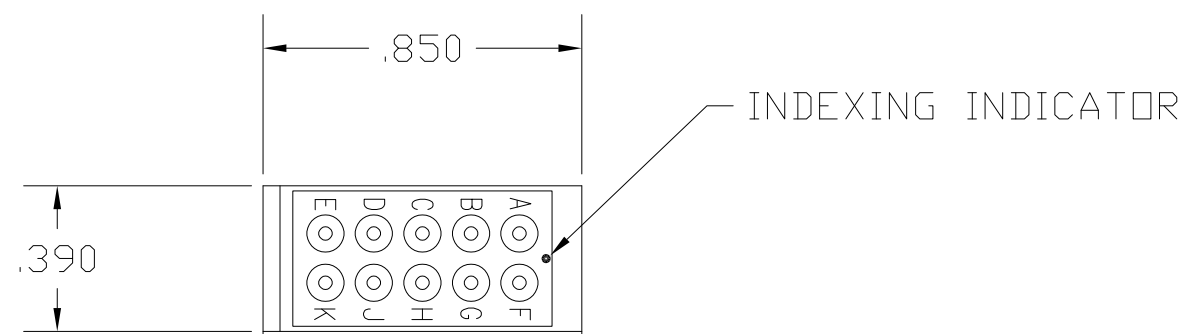


THIS DRAWING IS UNPUBLISHED. RELEASED FOR PUBLICATION, 19

© COPYRIGHT 19 BY ALL INTERNATIONAL RIGHTS RESERVED

REVISIONS						
P	F	ZONE	LTR	DESCRIPTION	DATE	APPROVED
			A1	REVISED PER ECO-11-005030	21MAR11	HMR

DESCRIPTION	MATERIAL	FINISH
MODULE ASSEMBLY	EPOXY EPIALL 1908-B, 703381-1 OR E-484, 703510-1 OR FIBERITE E-8354, 18756-1	COLOR: BLACK
GROMMET	FLUORSILICONE BLEND	COLOR: BLUE
CONTACT SOCKET	BERYLLIUM COPPER ASTM-B194	GOLD PLATE PER MIL-G-45204
RETAINING CLIP	BERYLLIUM COPPER ASTM-B194 OR STAINLESS STEEL PER QQ-S-766	NONE
CONTACTS	COPPER ALLOY PER MIL-C-39029/1	GOLD PLATE PER MIL-G-45204
SEALING PLUGS	F.E.P. PER MIL-P-19468	COLOR: RED



BUSSING ARRANGEMENTS  $\Delta$ 3

- $\Delta$ 4 CONTACTS AND SEALING PLUGS ARE PACKAGED SEPARATELY WHEN REQUIRED.
- $\Delta$ 3 BUSSING ARRANGEMENT OUTLINE DENOTES INTERNAL ARRANGEMENT OF SOCKET CONTACTS.
- $\Delta$ 2 MARK MODULE ASSEMBLY WITH CUSTOMER PART NO., MILITARY PART NO. IF REQUIRED .060 MINIMUM HIGH CHARACTERS AT APPROXIMATE AREA SHOWN.
- $\Delta$ 1 MARK MODULE ASSEMBLY WITH "AMP", PART NO. AND DATE CODE .060 MINIMUM HIGH CHARACTERS AT APPROXIMATE AREA SHOWN.

DO NOT SCALE PRINT. UNLESS OTHERWISE SPECIFIED DIMENSIONS ARE IN INCHES. TOLERANCES ON: 2 PLC DEC ± --- 3 PLC DEC ± .005 ANGLES ± ---		CONTRACT NO DR T. THOMPSON 06-24-94 CHK J. HARMAN 7-7-94 APPD J. HARMAN 7-7-94 APPD S. WRIGHT 7-7-94 DSGN APPD OTHER APPD		PART NO	
MATERIAL		FINISH		TE Connectivity NAME MODULE, FEED-BACK SIZE 20 ASSEMBLY TJ	
		SIZE C	FSCM NO 00779	DRAWING NO 592624	
		SCALE 2 : 1		SHEET 1 OF 2	


592624

THIS DRAWING IS UNPUBLISHED. RELEASED FOR PUBLICATION , 19

© COPYRIGHT 19 BY ALL INTERNATIONAL RIGHTS RESERVED

REVISIONS						
P	F	ZONE	LTR	DESCRIPTION	DATE	APPROVED
		-	-	--- SEE SHEET ONE ---	-	-

M81714/2-DC2						X					X	X	2-592624-2
	X												2-592624-1
	X										X	X	2-592624-0
		X											1-592624-9
M81714/2-DB3		X									X	X	1-592624-8
			X										1-592624-7
			X								X	X	1-592624-6
				X									1-592624-5
				X							X	X	1-592624-4
					X								1-592624-3
M81714/2-DC1					X						X	X	1-592624-2
						X							1-592624-1
M81714/2-DB2						X					X	X	1-592624-0
							X						592624-9
								X					592624-8
M81714/2-DD1								X			X	X	592624-7
									X				592624-6
M81714/2-DE1									X		X	X	592624-5
										X			592624-4
M81714/2-DA1										X	X	X	592624-3
													592624-2
M81714/2-DB1											X	X	592624-1
MARKING	6160595857565552090403										SEALING PLUG QTY 2	CONTACTS QTY 11	PART NO.
	BUSSING ARRANGEMENTS												

DO NOT SCALE PRINT. UNLESS OTHERWISE SPECIFIED DIMENSIONS ARE IN INCHES. TOLERANCES ON: 2 PLC DEC ± — 3 PLC DEC ± — ANGLES ± —		CONTRACT NO		 TE Connectivity	
MATERIAL		DR T. THOMPSON 06-24-94			
FINISH		CHK J. HARMAN 7-7-94		NAME MODULE, FEED-BACK SIZE 20 ASSEMBLY TJ	
		APPD J. HARMAN 7-7-94		SIZE C	
		APPD S. WRIGHT 7-7-94		FSCM NO 00779	
		DSGN APPD		DRAWING NO 592624	
		OTHER APPD		SCALE 1 : 1	
				SHEET 2 OF 2	

# Mouser Electronics

Authorized Distributor

Click to View Pricing, Inventory, Delivery & Lifecycle Information:

[TE Connectivity:](#)

[1-592624-8](#)