

4

3

2

1

THIS DRAWING IS UNPUBLISHED.

RELEASED FOR PUBLICATION

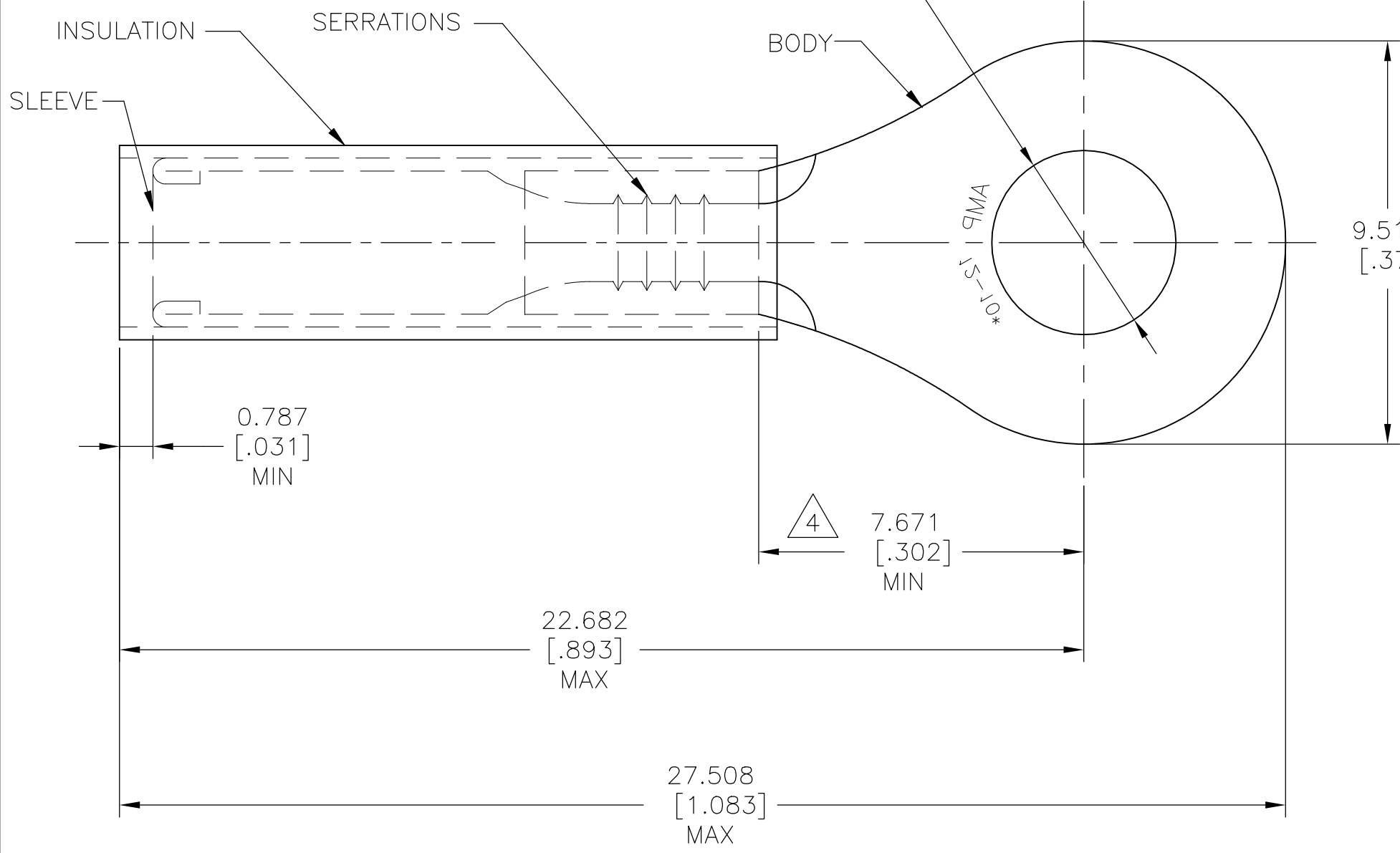
ALL RIGHTS RESERVED.

© COPYRIGHT - By -

REVISIONS

P	LTR	DESCRIPTION	DATE	DWN	APVD
J4		REVISED PER ECO-15-016493	26NOV2015	NK	DR
J5		REVISED PER ECO-17-016703	27MAR2018	RS	DR

∅"A"±0.076[.003]  
(FOR "B" STUD)



- 1 BODY: COPPER ASTM B152  
NICKEL PL SAE AMS QQ-N-290  
0.0076 [.0003] AVG. EXT. THK  
SLEEVE: COPPER ASTM B152  
NICKEL PL SAE AMS QQ-N-290  
0.00076 [.00003] AVG EXT. THK
- 2 FOR 2.591[.102] TO 5.436[.214]  
WIRE INSULATION DIA.
- 3 BODY MATERIAL THK:0.991±0.051 [.039±.002]
- 4 DIMENSION APPLIES FROM EDGE OF  
METAL WIRE BARREL TO CENTER OF  
STUD HOLE

1000	5.004[.197]	#10	PTFE (ASTM D3295) COLOR: BLACK	LOOSE PIECE	50845-2
1000	4.343[.171]	M4[#8]		LOOSE PIECE	50845-1
1000	3.683[.145]	M3.5[#6]		LOOSE PIECE	50845
QTY	"A"	"B"	INSULATION MATERIAL	PACKAGE TYPE	PART NO.

AMP INCORPORATED  
CUSTOMER SERVICE SYSTEMS

MAX RECOMMENDED OPERATING  
TEMPERATURE:

288°C [550°F]

VOLTAGE RATING:

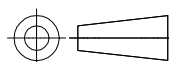
300V MAX

CIRCULAR MIL AREA:

2.62-6.64mm<sup>2</sup>[5,180-13,100]  
STRANDED WIRE ONLY

THIS DRAWING IS A CONTROLLED DOCUMENT.

DIMENSIONS:  
mm [INCHES]



MATERIAL  
1  
SEE TABLE

TOLERANCES UNLESS  
OTHERWISE SPECIFIED:

0 PLC	± -
1 PLC	± -
2 PLC	± -
3 PLC	± 0.127[.005]
4 PLC	± -
ANGLES	± 5°

FINISH  
1  
SEE TABLE

DWN 13OCT2015  
NAGALAKSHMI K

CHK 13OCT2015  
MERCURIO MAURIZIO

APVD 13OCT2015  
MERCURIO MAURIZIO

PRODUCT SPEC

APPLICATION SPEC

WEIGHT

CUSTOMER DRAWING



TE Connectivity Ltd.

NAME  
WIRE TERMINAL  
PIDG, STRATO-THERM, RING TONGUE  
WIRE SIZE:12-10, AWG

SIZE A3 CAGE CODE 00779 DRAWING NO C-50845 RESTRICTED TO

SCALE NTS SHEET 1 OF 1 REV J5