



Main

Range of product	Magelis STO & STU
Product or component type	Touch panel screen
Software designation	Vijeo Designer
Operating system	Magelis
Processor name	CPU RISC

Complementary

Display size	3.4 inch
Display type	Backlit monochrome STN LCD
Background colour	Green Orange Red
Pixel resolution	200 x 80 pixels
Touch panel	Analogue
Backlight lifespan	50000 hours (green) 50000 hours (orange) 10000 hours (red)
Brightness	8 levels
Contrast	16 levels via touch panel
Character font	ASCII Chinese (simplified Chinese) Japanese (ANK, Kanji) Korean Taiwanese (traditional Chinese)
[Us] rated supply voltage	24 V DC - 20...20 %
Inrush current	<= 30 A
Local signalling	1 LED (green) for normal operation
Power consumption	5 W
Number of pages	Limited by internal memory capacity
Processor frequency	333 MHz
Memory description	Back up of data, 128 kB Application memory, 16 MB
Integrated connection type	Power supply removable screw terminal block COM1 serial link female RJ45, transmission rate <= 115.2 kbits/s (RS232C/RS485) 1 USB (V2.0) port USB type A 1 USB (V2.0) port mini B USB
Realtime clock	Access to the PLC real-time clock
Downloadable protocols	Modbus Third party protocols Uni-TE
Fixing mode	By 2 spring clips on 1.6...5 mm thick panel
Enclosure material	PPT
Marking	CE
Height	77.5 mm
Width	116.5 mm
Depth	36.5 mm

Environment

Immunity to microbreaks	<= 3 ms
Standards	EN 61131-2 FCC Class A IEC 61000-6-2 UL 1604 UL 508
Product certifications	CE C-Tick CULus GOST UL class 1 Div2 T4A ou T5
Ambient air temperature for operation	0...50 °C
Ambient air temperature for storage	-20...60 °C
Relative humidity	0...90 % without condensation
Operating altitude	<= 2000 m
IP degree of protection	IP65 (front panel) conforming to IEC 60529 IP20 (rear panel) conforming to IEC 60529
NEMA degree of protection	NEMA 4X front panel (indoor use)
Shock resistance	15 gn for 11 ms conforming to IEC 60068-2-27
Vibration resistance	1 gn (f = 9...150 Hz) conforming to IEC 60068-2-6 +/- 3.5 mm (f = 5...9 Hz) conforming to IEC 60068-2-6
Resistance to electromagnetic fields	10 V/m conforming to IEC 61000-4-3

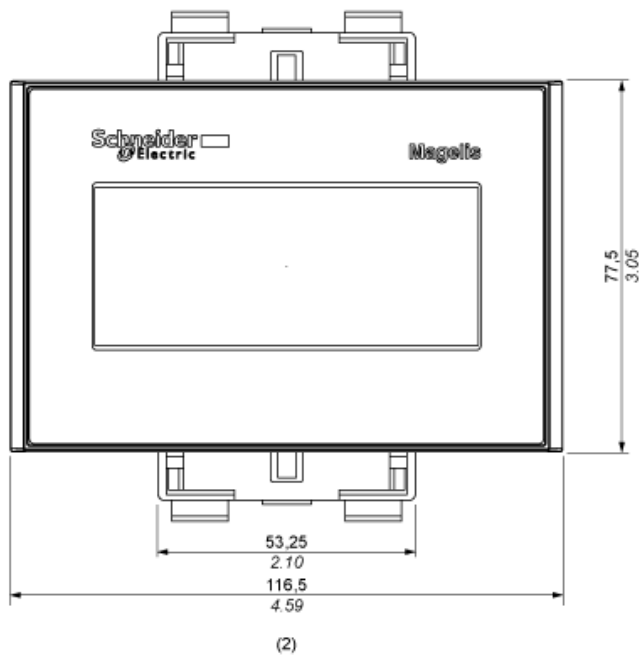
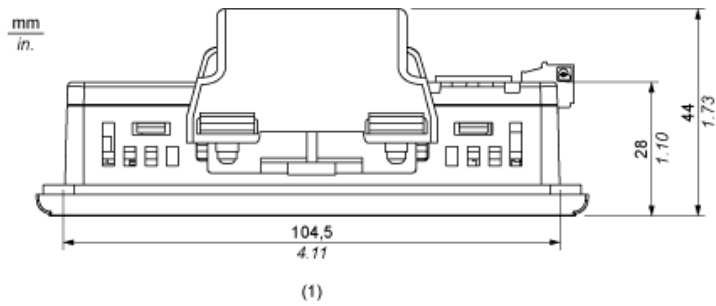
Offer Sustainability

Sustainable offer status	Not Green Premium product
RoHS	Compliant - since 1010 - Schneider Electric declaration of conformity

Contractual warranty

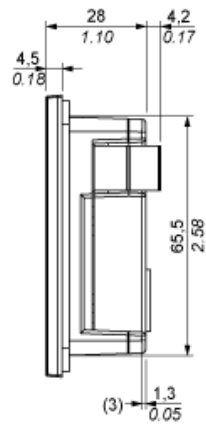
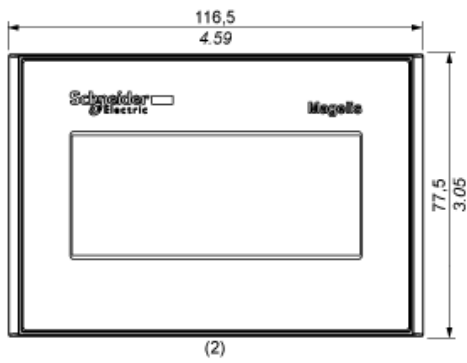
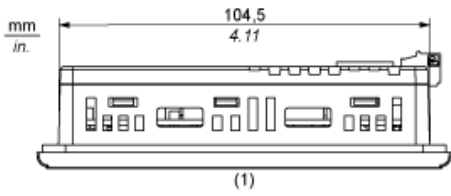
Period	18 months
--------	-----------

Dimensions with Spring Clips



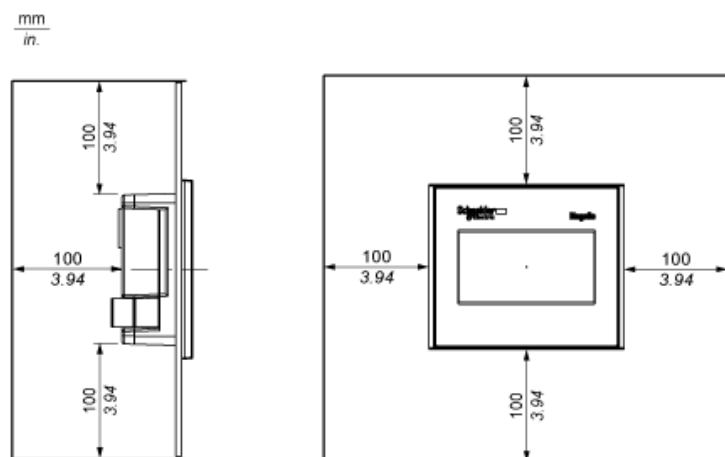
- (1) Top
- (2) Front

Dimensions without Spring Clips

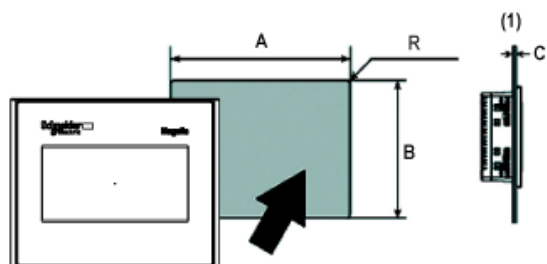


- (1) Top
- (2) Front
- (3) Right Side

Clearance



Panel Cut-out Dimensions



(1) Panel

A (mm)	A (in.)	B (mm)	B (in.)	C (mm) Spring Clips	C (in.) Spring Clips	R (mm)	R (in.)
+1	+0.04	+1	+0.04	1.5 to 6.0	0.059 to 0.236	2.0 to 3.0	0.078 to 0.118
105	4.13	66	2.59				
-0	-0	-0	-0				

Mouser Electronics

Authorized Distributor

Click to View Pricing, Inventory, Delivery & Lifecycle Information:

[Schneider Electric:](#)

[HMISTO511](#)