

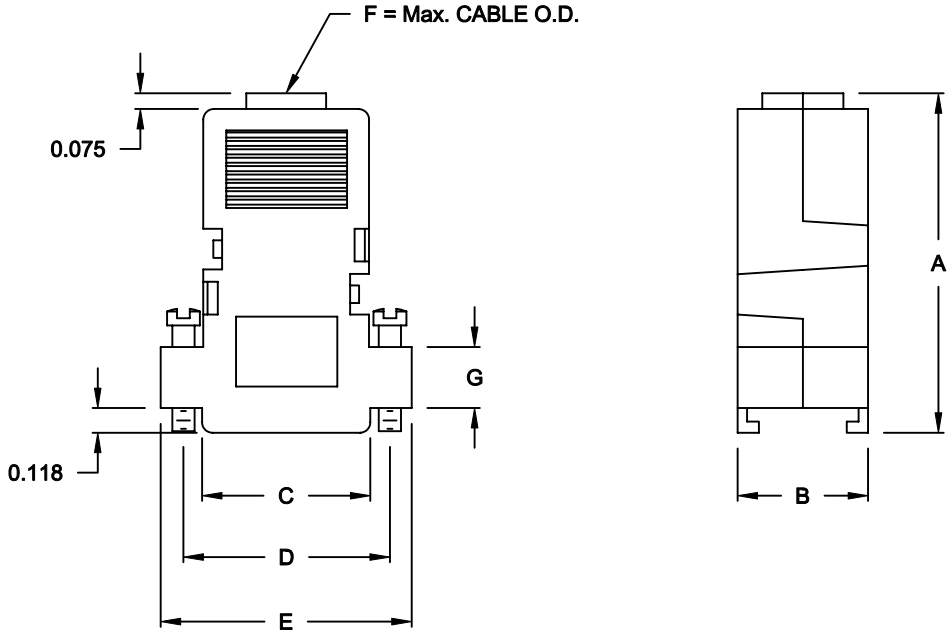
DESCRIPTION: STRAIGHT, SNAP TOGETHER - METALIZED PLASTIC

SPECIFICATIONS:

MATERIAL: ABS UL94-HB
 PLATING: NICKEL OVER COPPER

BACKSHELL KIT INCLUDES:

- (2) BACKSHELL HALVES
- (1) STRAIN RELIEF CLAMP (2-PARTS)
- (2) JACKSCREWS



956-YYY-020R121

SERIES _____
 POSITIONS _____
 009
 015
 025
 MATERIAL _____
 020 = METALIZED PLASTIC
 RoHS COMPLIANT _____
 COLOR _____
 12 = METAL(IZED)
 PUT-UP _____
 1 = KIT

DIMENSIONS (IN.)

No. OF PINS	A	B	C	D	E	F	G
09	1.618	0.622	0.807	0.984	1.201	0.323	0.315
15	1.634	0.610	1.078	1.311	1.579	0.449	0.287
25	1.732	0.670	1.177	1.874	2.110	0.433	0.291

DO NOT SCALE FROM DRAWING



THESE DRAWINGS AND SPECIFICATIONS ARE THE PROPERTY OF NorComp AND SHALL NOT BE REPRODUCED, COPIED OR USED AS THE BASIS FOR THE MANUFACTURE OF SALE OF APPARATUS WITHOUT WRITTEN PERMISSION.

DRAWN: C. SMITH		DATE: 05-10-07	
CHECKED:		DATE:	
SCALE: 1:1	SHEET 1 OF 1	REV 0	
DWG NO. 956-YYY-020R121			

NorComp

RoHS COMPLIANT

Mouser Electronics

Authorized Distributor

Click to View Pricing, Inventory, Delivery & Lifecycle Information:

[NorComp:](#)

[956-015-020R121](#) [956-025-020R121](#) [956-009-020R121](#)