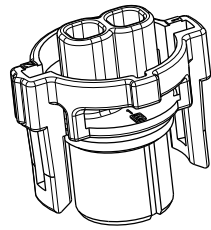
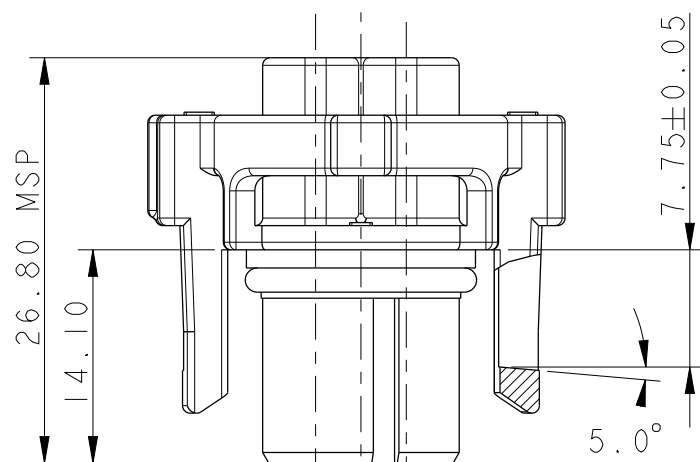
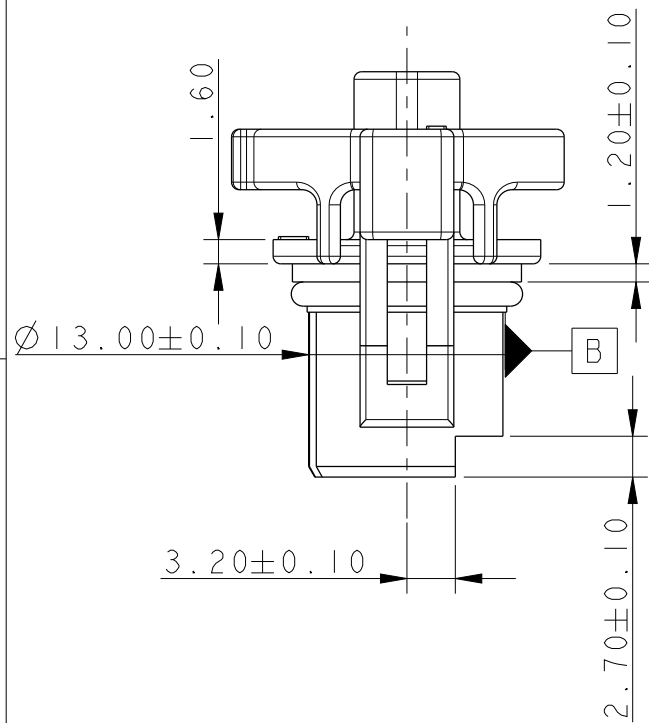
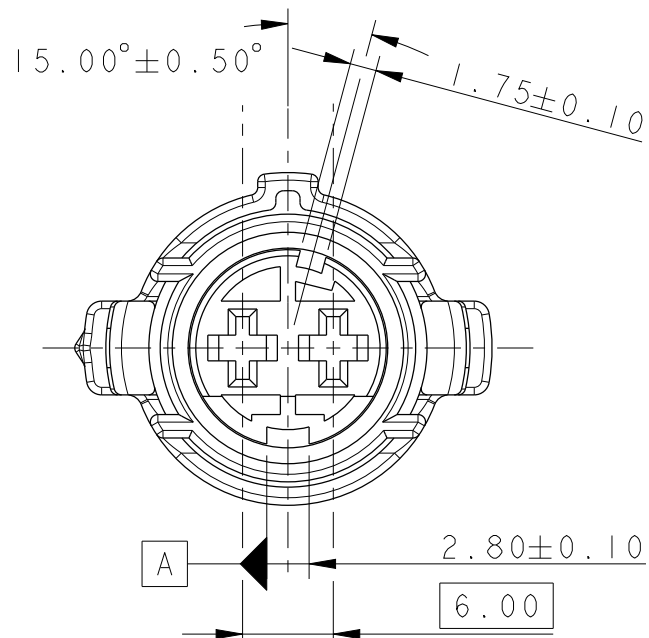


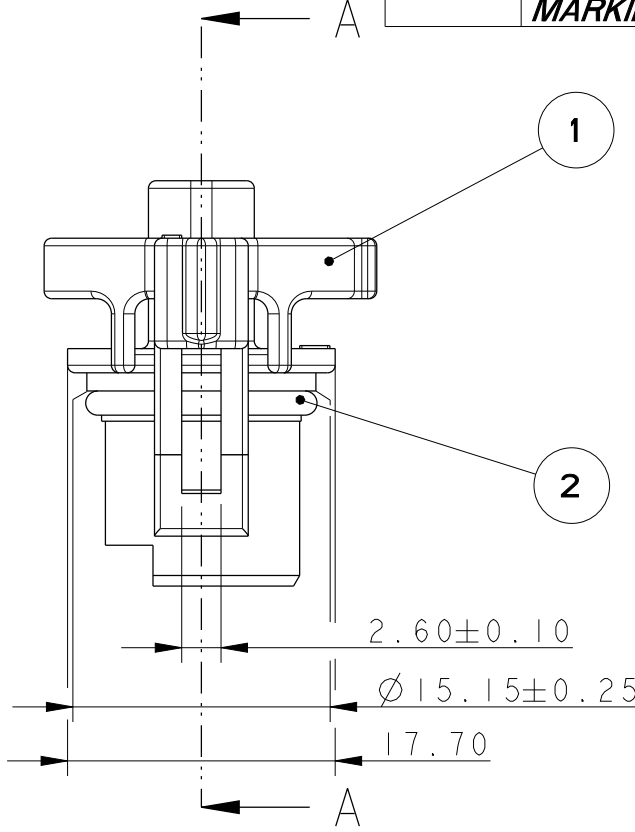
ECHELLE 1:1  
SCALE 1:1



ECHELLE 1:1  
SCALE 1:1



COUPE A-A  
SECTION A-A



NOTA : RAYONS NON R:0.5 mini  
NOTE : NON DIMENSIONED ROUND R:0.5 mini

2	O-RING 12.1 x 1.6	1
1	2 WAY FEMALE HOUSING 2.8 x 0.8 DCS JUF	1
REP. ITEM	Designation Description	Quantite Quantity

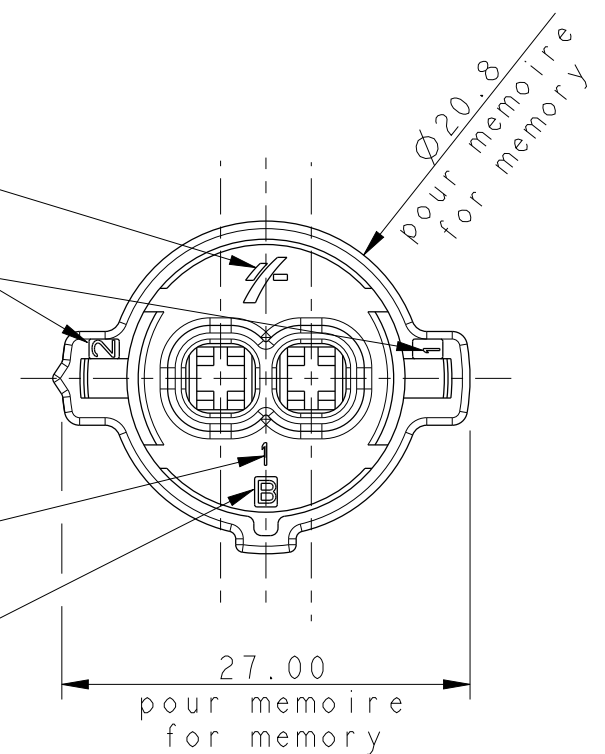
MVL	REFERENCE PART NUMBER	240 PC 02 3 S 8 008
	MARQUAGE INDICE PIECE MARKING LEVEL PART	B
DELPHI	REFERENCE PART NUMBER	10762604
	MARQUAGE INDICE PIECE MARKING LEVEL PART	01

SIGLE MVL  
MVL LOGO

REPERES VOIES  
WAYS MARKS

REPERE EMPREINTE  
MOLD MARK

INDICE PIECE  
PART INDEX



ECN-NO. NUMERO ECN	POSITION POSITION	CHANGE DESCRIPTION MODIFICATION	
PRODUCT SPEC. SPECIF. PRODUIT	PACKAGING SPEC. SPECIF. EMBALLAGE	APPLICATION SPEC. SPECIF. APPLICATION	COPYRIGHT DELPHI CORPORATION AND/OR ITS AFFILIATES. ALL RIGHTS RESERVED. REVISED THIS DRAWING IS THE PROPERTY OF DELPHI CORPORATION AND CONTAINS DELPHI CONFIDENTIAL INFORMATION. THE REPRODUCTION, DISTRIBUTION AND UTILIZATION OF THIS DOCUMENT OR ITS RELATED CAD MATH DATA, AS WELL AS COMMUNICATION OF ANY CONTENT TO OTHERS, WITHOUT EXPRESS AUTHORIZATION, IS PROHIBITED.
TOLERANCES TOLERANCES	±0.2 ±2°	MATERIAL : MATIERE : VOIR TABLEAU n	SURFACE FINISH ETAT DE SURFACE -
COUNTERPART No. CONTRE-PARTIE N°	-	COLOUR : COULEUR : SEE TABLE	n
DO NOT MEASURE DRAWING NE PAS PRENDRE DE COTES	TOOL NO. OUTIL N°	ECO Loc. Code CODE B.E.	FE
CREATED BY CREE PAR	DATE DATE	NAME NOM	TITLE DESIGNATION
MODIFIED BY MODIF. PAR	2013/07/10	F FAURIE	PROJECT PROJET
CHECKED BY VERIF. PAR	2013/07/15	S LACOTE	LVE MERITOR ENGINE
APPROVED BY APPR. PAR	2013/07/15	L ETIFIER	ESR NO. NUMERO ESR FRA-1085
FILE NAME NOM DE FICHIER	240FT0048	CAT. NO. NUMERO CAT. 240 FT 0048	DOCUMENT UNDER PDS CONTROL DOCUMENT GERE SOUS P.D.S. NO MODIFICATION ALLOWED OUTSIDE PAS DE MODIFICATION EN DEHORS

**DELPHI**  
DELPHI PACKARD ELECTRICAL/ELECTRONIC ARCHITECTURE  
EPERNON, FRANCE

**C** ISO PROJECTION PROJECTION ISO

DIMENSION IN MILLIMETERS DIMENSIONS EN MILLIMETRES

DRAWING NUMBER REF. PLAN **240FT0048**

STATE ETAT **SERIAL RELEASED**

PART NUMBER REF. ARTICLE **240PC023S8008**

CAD SYSTEM pro / eng.

DWG SIZE FORMAT A3

APPROVAL LEVEL REV. IND. -

SHEET FEUILLE 1 of 1 sur 1

SCALE ECH. 2:1

# Mouser Electronics

Authorized Distributor

Click to View Pricing, Inventory, Delivery & Lifecycle Information:

[Aptiv:](#)

[240PC023S8008](#) [240PC023S8008-B](#)