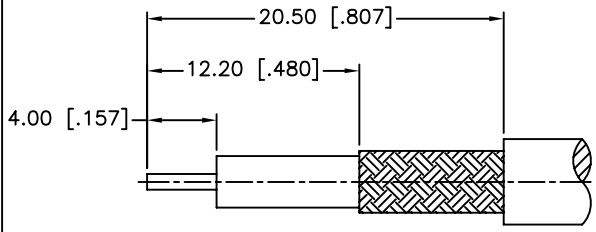
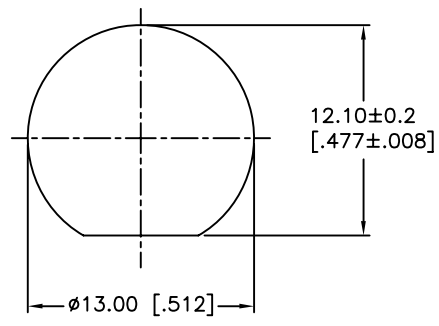


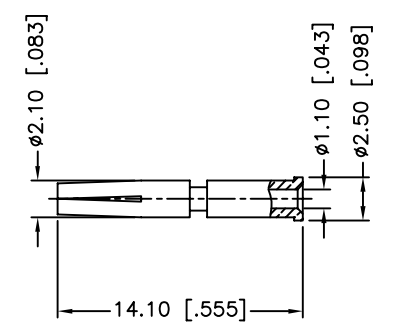
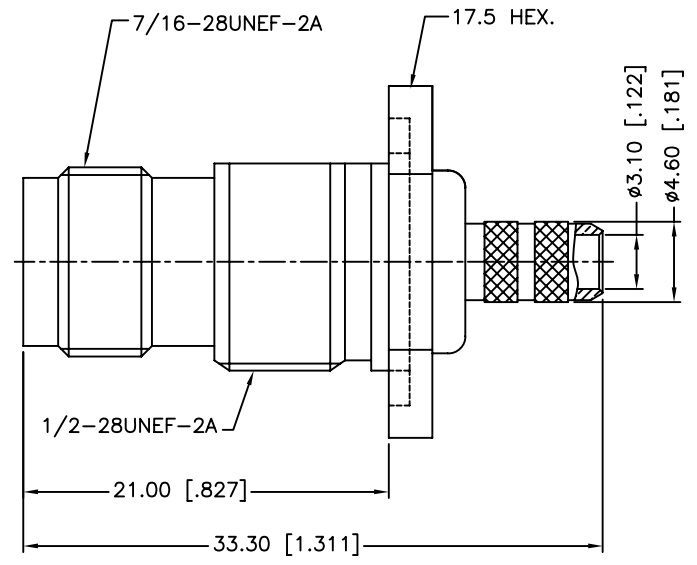
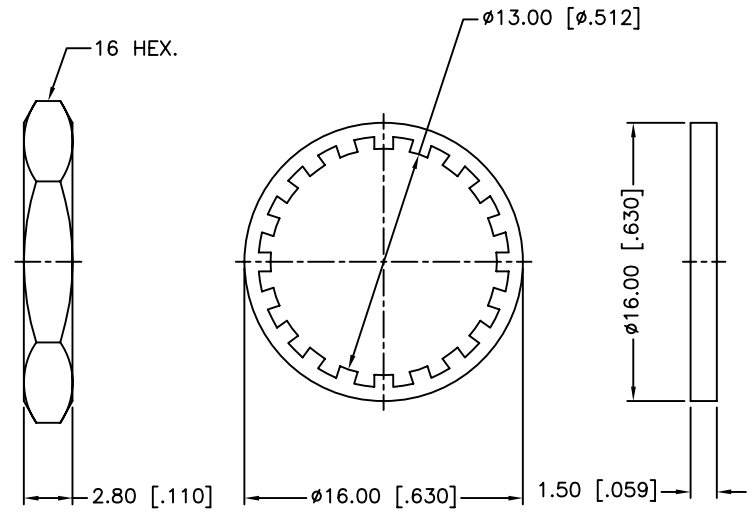
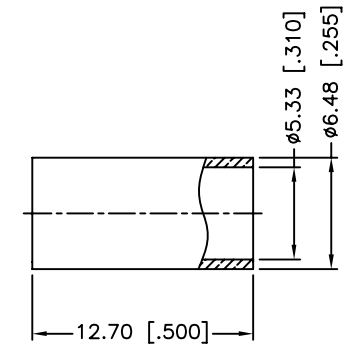
| REV. | DATE | ECR NO. | DESCRIPTION |
|------|----------|---------|-----------------|
| NC | 07/24/10 | XXXXXX | INITIAL RELEASE |



RECOMMENDED
CABLE STRIPPING DIM'S



RECOMMENDED
MOUNTING HOLE



1. CRIMPED FERRULE
HEX CRIMP SIZE .213"
2. CRIMPED CONTACT PIN
HEX CRIMP SIZE .068"
3. MAX. PANEL THICKNESS=6.5 mm

| DESCRIPTION | MATERIAL | FINISH | QTY |
|---------------|-----------------|---------|-----|
| 9 FERRULE | COPPER | NICKEL | 1 |
| 8 CONTACT PIN | PHOSPHOR BRONZE | GOLD | 1 |
| 7 HUT HEX | BRASS | NICKEL | 1 |
| 6 LOCK WASHER | BRASS | NICKEL | 1 |
| 5 GASKET | RUBBER | RED | 1 |
| 4 BARREL | BRASS | NICKEL | 1 |
| 3 INSULATOR | PTFE | NATURAL | 1 |
| 2 BODY | BRASS | NICKEL | 1 |
| 1 HOUSING | BRASS | NICKEL | 1 |

UNLESS OTHERWISE SPECIFIED DIMENSIONS ARE IN MILLIMETERS. DIMENSIONS IN [] ARE IN INCHES AND FOR CUSTOMER REFERENCE ONLY.

UNLESS OTHERWISE SPECIFIED TOLERANCES FOR MILLIMETERS ARE:
0.5 - 8mm ± 0.20mm
8 - 30mm ± 0.40mm
30 - 120mm ± 0.50mm

UNLESS OTHERWISE SPECIFIED TOLERANCES FOR INCHES ARE:
.020 - .315 = ± 0.007"
.315 - 1.180 = ± 0.015"
1.180 - 4.724 = ± 0.020"

DO NOT SCALE DRAWING

| APPROVALS | DATE |
|-------------------------------|----------|
| DRAWN M.ZHANG | 07/24/10 |
| CHECKED | |
| ISSUED | |
| SHEET 1 OF 1 | |
| CAD FILE C:/CONNEX/122168.DWG | |

Amphenol Connex

PART DESCRIPTION
**TNC BULKHEAD CRIMP JACK - 50 OHM
(FOR RG-58C/U CABLE)**

PART NO.
122168

DWG. NO. 122168.DWG REV. NC SIZE A SCALE NA

Mouser Electronics

Authorized Distributor

Click to View Pricing, Inventory, Delivery & Lifecycle Information:

[Amphenol:](#)

[122168](#)