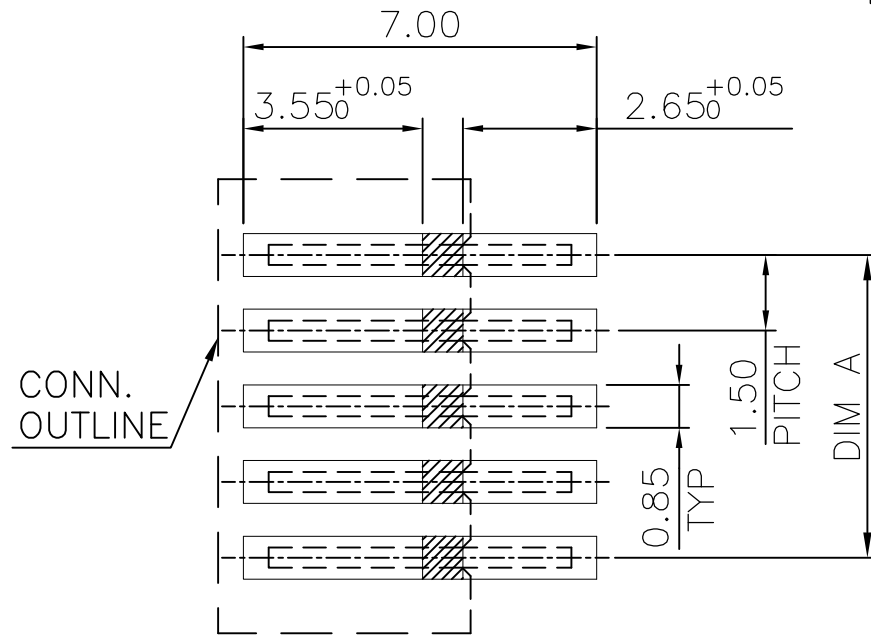
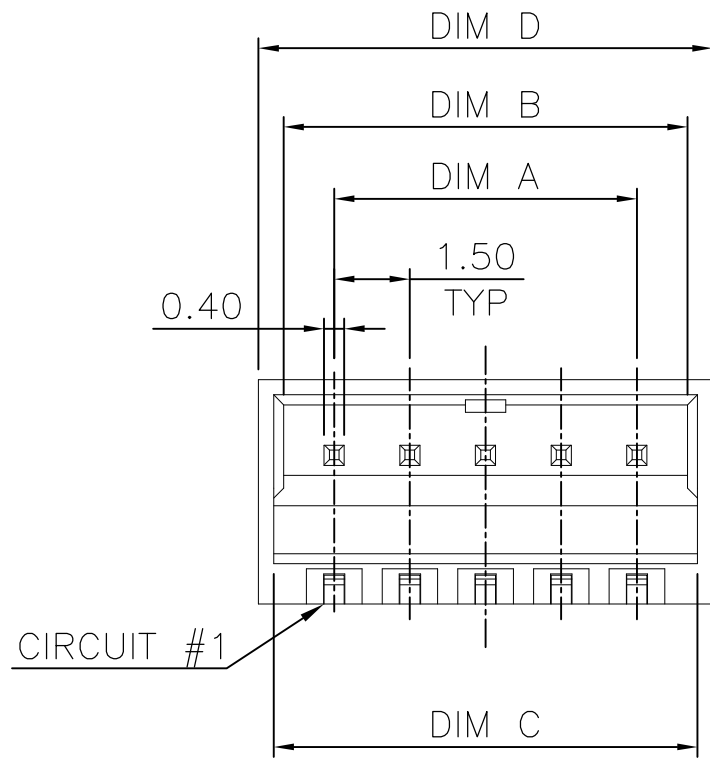


THIS DRAWING IS UNPUBLISHED. RELEASED FOR PUBLICATION  
 © COPYRIGHT - BY - ALL RIGHTS RESERVED.

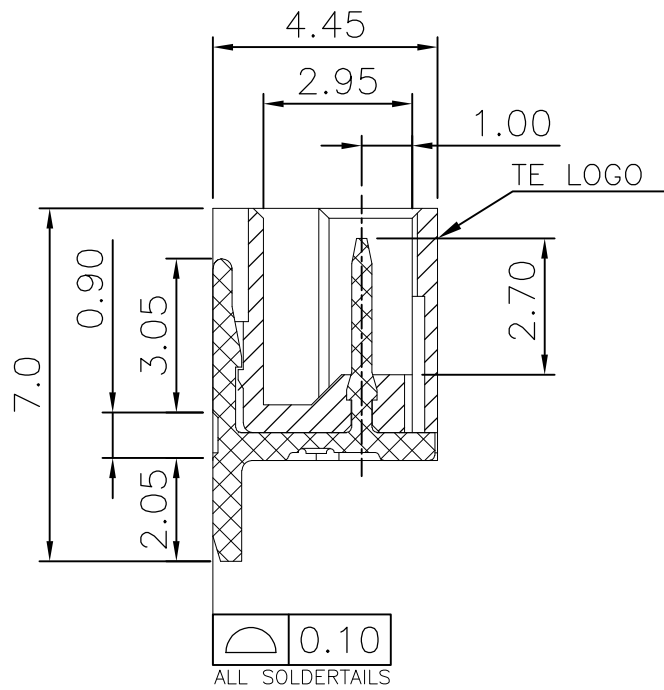
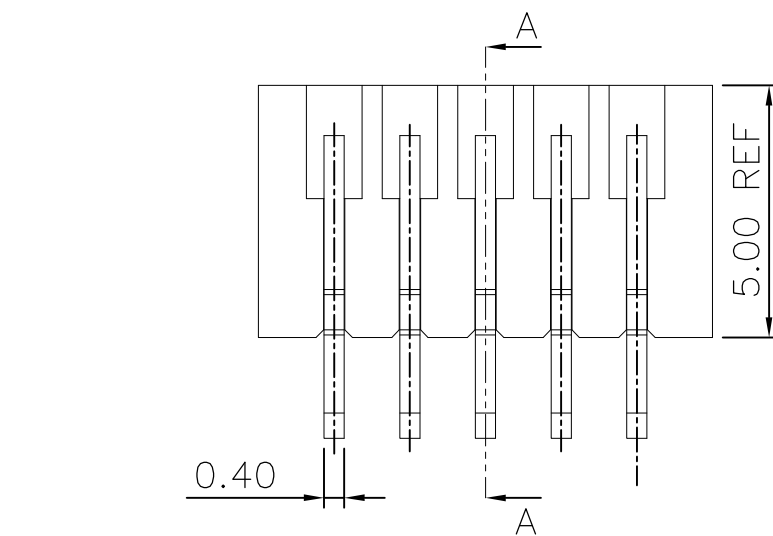
LOC		DIST		REVISIONS				
P	LTR	DESCRIPTION			DATE	DWN	APVD	
	A3	REVISED PER ECO-11-005301			07MAR11	RK	HMR	



WITHOUT SOLDER AREA  
 RECOMMENDED PCB LAYOUT  
 TOLERANCE: ±0.05

NOTES:

- MATERIALS:  
HOUSING: THERMOPLASTIC, UL94-V0, COLOR: NATURAL.  
TERMINAL: BRASS, THICKNESS=0.4mm.
- FINISH:  
TERMINAL: 100μ" MIN. BRIGHT TIN PLATED OVER  
50μ" MIN. NICKEL UNDERPLATED ALL OVER.
- TERMINAL RETENTION FORCE: 1.0 Kgf MIN.
- REFLOW SOLDER CAPABLE TO 260°C PER TE CONNECTIVITY SPEC 109-201, CONDITION B.



SECTION A-A

PACKAGE	DIMENSIONS					POS.	PART NUMBER
	D	C	B	A			
REEL	24.00	23.40	23.00	21.00	15	6-1775444-5	
	22.50	21.90	21.50	19.50	14	6-1775444-4	
	21.00	20.40	20.00	18.00	13	6-1775444-3	
	19.50	18.90	18.50	16.50	12	6-1775444-2	
	18.00	17.40	17.00	15.00	11	6-1775444-1	
	16.50	15.90	15.50	13.50	10	6-1775444-0	
	15.00	14.40	14.00	12.00	9	5-1775444-9	
	13.50	12.90	12.50	10.50	8	5-1775444-8	
	12.00	11.40	11.00	9.00	7	5-1775444-7	
	10.50	9.90	9.50	7.50	6	5-1775444-6	
	9.00	8.40	8.00	6.00	5	5-1775444-5	
	7.50	6.90	6.50	4.50	4	5-1775444-4	
	6.00	5.40	5.00	3.00	3	5-1775444-3	
	4.50	3.90	3.50	1.50	2	5-1775444-2	
	TUBE	24.00	23.40	23.00	21.00	15	1-1775444-5
22.50		21.90	21.50	19.50	14	1-1775444-4	
21.00		20.40	20.00	18.00	13	1-1775444-3	
19.50		18.90	18.50	16.50	12	1-1775444-2	
18.00		17.40	17.00	15.00	11	1-1775444-1	
16.50		15.90	15.50	13.50	10	1-1775444-0	
15.00		14.40	14.00	12.00	9	1775444-9	
13.50		12.90	12.50	10.50	8	1775444-8	
12.00		11.40	11.00	9.00	7	1775444-7	
10.50		9.90	9.50	7.50	6	1775444-6	
9.00		8.40	8.00	6.00	5	1775444-5	
7.50		6.90	6.50	4.50	4	1775444-4	
6.00		5.40	5.00	3.00	3	1775444-3	
4.50		3.90	3.50	1.50	2	1775444-2	

THIS DRAWING IS A CONTROLLED DOCUMENT.		DWN	19FEB2009		TE Connectivity				
		J. LAI							
		CHK	19FEB2009		NAME EMIX CONN., 1.5mm PITCH HDR, RIGHT ANGLE				
		S. CHIEN							
		APVD	19FEB2009		PRODUCT SPEC 108-57631				
		W. KODAMA							
DIMENSIONS: MM 		TOLERANCES UNLESS OTHERWISE SPECIFIED: 0 PLC ± - 1 PLC ± 0.25 2 PLC ± 0.15 3 PLC ± 0.10 4 PLC ± - ANGLES ± -		QUALIFICATION TEST REPORT 501-57736		SIZE	CAGE CODE	DRAWING NO	RESTRICTED TO
MATERIAL SEE NOTE		FINISH SEE NOTE		WEIGHT - GRAMS		A3	00779	C=1775444	-
CUSTOMER DRAWING						SCALE	SHEET	1 OF 3	REV A3

THIS DRAWING IS UNPUBLISHED.

RELEASED FOR PUBLICATION

-. - .

LOC

DIST

REVISIONS

© COPYRIGHT - BY -

ALL RIGHTS RESERVED.

DW

P

LTR

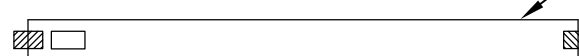
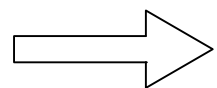
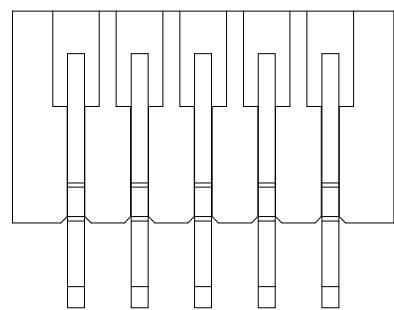
DESCRIPTION

DATE

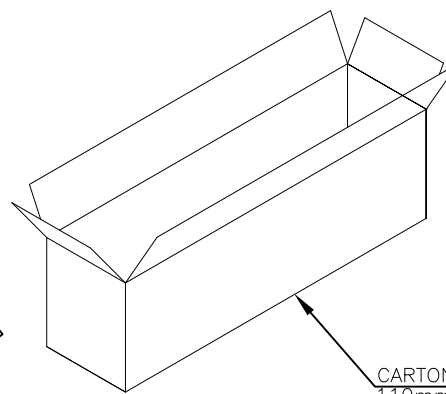
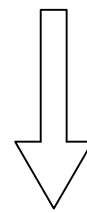
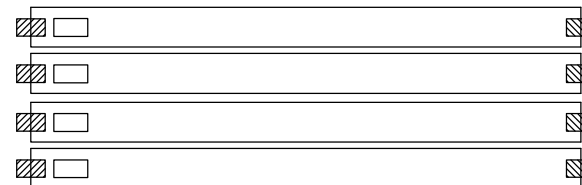
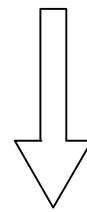
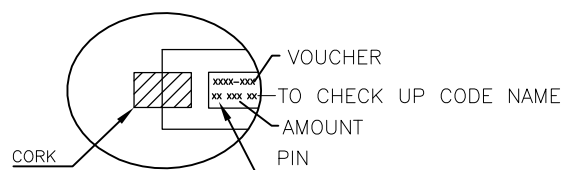
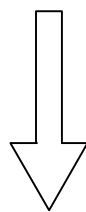
DWN

APVD

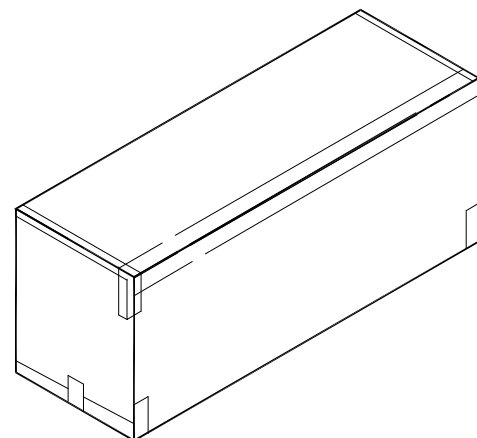
SEE SHEET 1.



TUBE  
600mm(L)\*8.2mm(W)\*9.4mm(H)




CARTON  
110mm(L)\*100mm(W)\*615mm(H)



20	100	2000	15	1-1775444-5
25	100	2500	14	1-1775444-4
25	100	2500	13	1-1775444-3
25	100	2500	12	1-1775444-2
30	100	3000	11	1-1775444-1
35	100	3500	10	1-1775444-0
35	100	3500	9	1775444-9
40	100	4000	8	1775444-8
45	100	4500	7	1775444-7
55	100	5500	6	1775444-6
60	100	6000	5	1775444-5
75	100	7500	4	1775444-4
95	100	9500	3	1775444-3
125	100	12500	2	1775444-2

PCS/TUBE	TUBES/CARTON	QUANTITY (PCS)	POS.	PART NUMBER
----------	--------------	----------------	------	-------------

THIS DRAWING IS A CONTROLLED DOCUMENT.		DWN	 TE Connectivity EMIX CONN., 1.5mm PITCH HDR, RIGHT ANGLE				
DIMENSIONS: MM		CHK				NAME	
TOLERANCES UNLESS OTHERWISE SPECIFIED: 0 PLC ± - 1 PLC ± - 2 PLC ± - 3 PLC ± - 4 PLC ± - ANGLES ± -		APVD				SIZE	
MATERIAL		PRODUCT SPEC				CAGE CODE	
		APPLICATION SPEC	DRAWING NO		RESTRICTED TO		
		WEIGHT	A3 00779		©=1775444		
CUSTOMER DRAWING			SCALE	SHEET	REV		
			-	2 OF 3	A3		

THIS DRAWING IS UNPUBLISHED.

RELEASED FOR PUBLICATION

-. - .

© COPYRIGHT - BY -

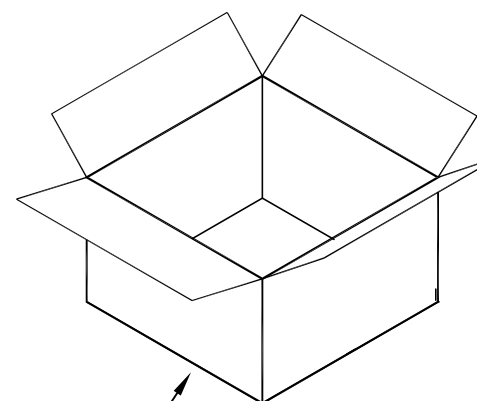
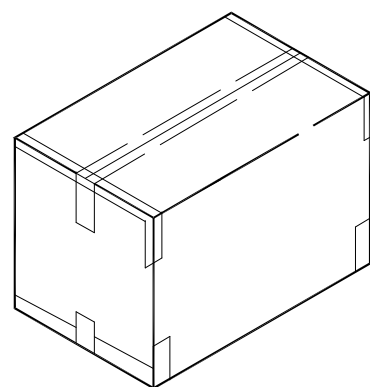
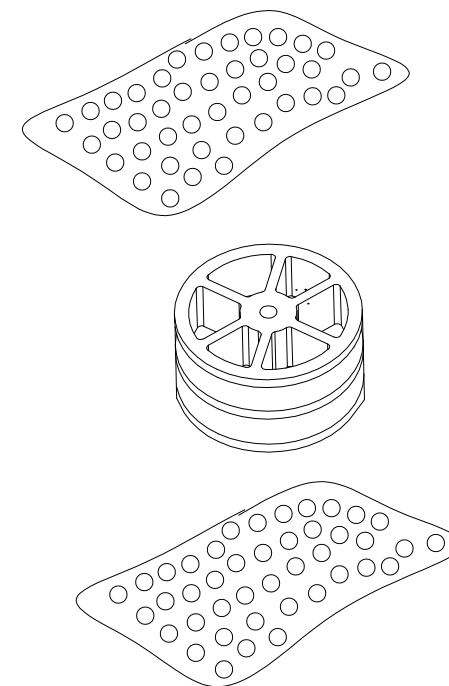
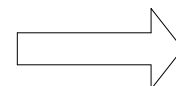
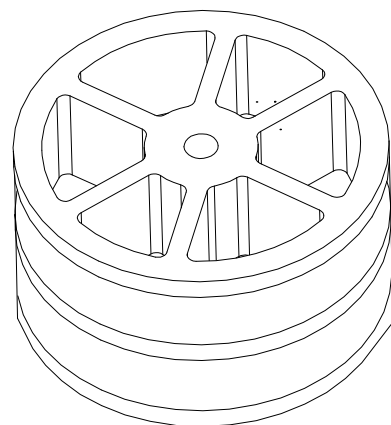
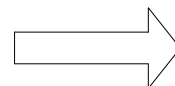
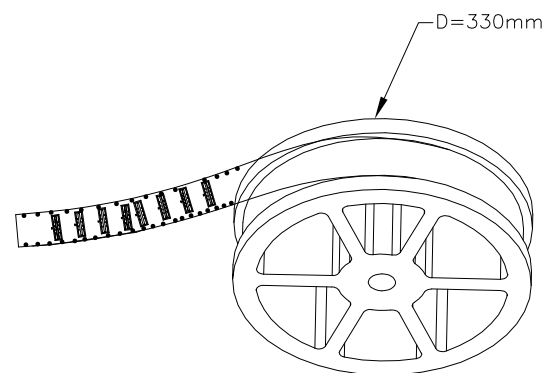
ALL RIGHTS RESERVED.

LOC  
DW

DIST  
/

REVISIONS

P	LTR	DESCRIPTION	DATE	DWN	APVD
-	-	SEE SHEET 1.	-	-	-



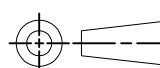
CARTON  
335mm(L)\*335mm(W)\*480mm(H)

1000	4	4000	15	6-1775444-5
1000	4	4000	14	6-1775444-4
1000	4	4000	13	6-1775444-3
1000	4	4000	12	6-1775444-2
1000	4	4000	11	6-1775444-1
1000	4	4000	10	6-1775444-0
1000	6	6000	9	5-1775444-9
1000	6	6000	8	5-1775444-8
1000	6	6000	7	5-1775444-7
1000	6	6000	6	5-1775444-6
1000	6	6000	5	5-1775444-5
1000	9	9000	4	5-1775444-4
1000	9	9000	3	5-1775444-3
1000	9	9000	2	5-1775444-2

PCS/ REEL	REELS/ CARTON	QUANTITY (PCS)	POS.	PART NUMBER
-----------	---------------	----------------	------	-------------

THIS DRAWING IS A CONTROLLED DOCUMENT.

DIMENSIONS:  
MM



TOLERANCES UNLESS OTHERWISE SPECIFIED:

- 0 PLC ± -
- 1 PLC ± -
- 2 PLC ± -
- 3 PLC ± -
- 4 PLC ± -
- ANGLES ± -

MATERIAL

FINISH

DWN

CHK

APVD

PRODUCT SPEC

APPLICATION SPEC

WEIGHT

CUSTOMER DRAWING



NAME

EMIX CONN., 1.5mm PITCH  
HDR, RIGHT ANGLE

SIZE

CAGE CODE

DRAWING NO

RESTRICTED TO

A3

00779

C=1775444

SCALE

SHEET

3 OF 3

REV

A3

# Mouser Electronics

Authorized Distributor

Click to View Pricing, Inventory, Delivery & Lifecycle Information:

[TE Connectivity:](#)

[1775444-3](#)