

4

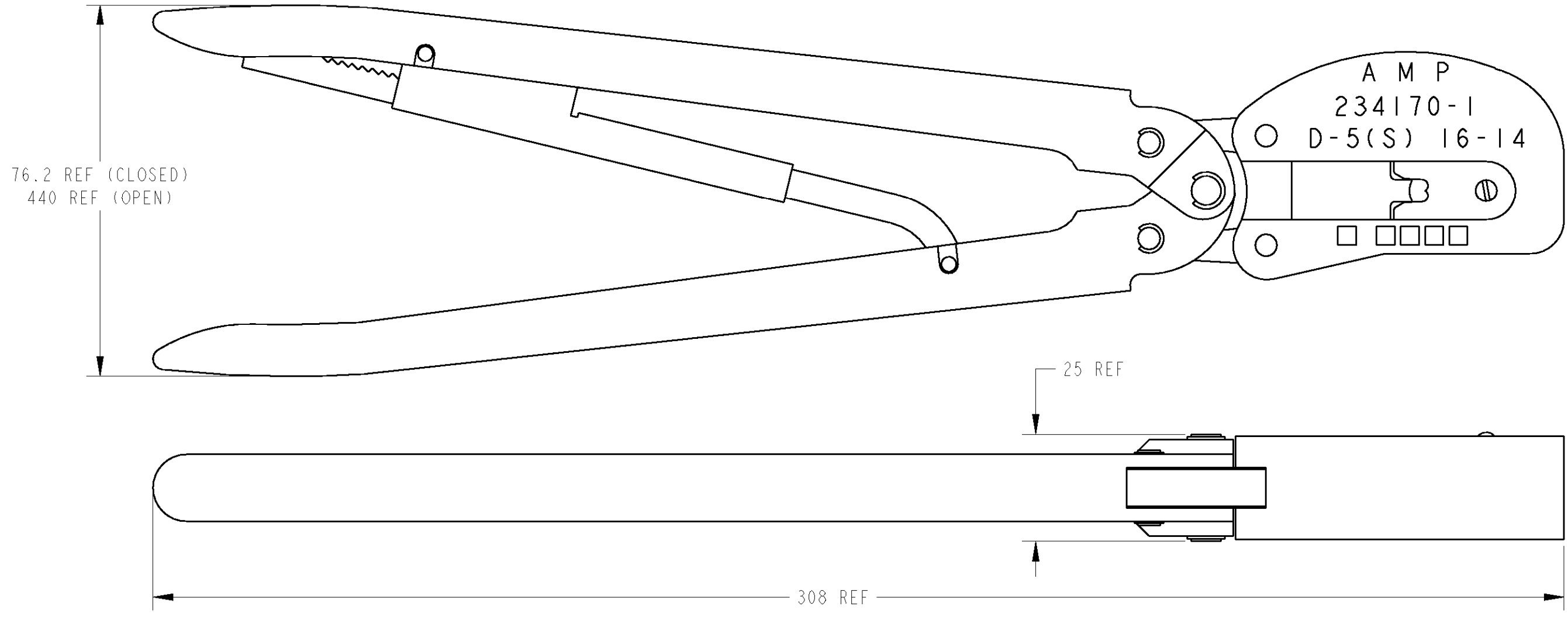
3

2

1

THIS DRAWING IS UNPUBLISHED. RELEASED FOR PUBLICATION 20
 © COPYRIGHT BY ALL RIGHTS RESERVED.

| LOC | DIST | REVISIONS | | | |
|-----|------|-------------|---------------------------|---------|--------|
| P | LTR | DESCRIPTION | DATE | DWN | APVD |
| J | - | B1 | REVISED PER ECO-11-005294 | 03MAY11 | RK HMR |



| CRIMP SYMBOL | TERMINAL NO | WIRE SIZE AWG (mm ²) | INS RANGE (mm) | TERMINAL CH (mm) | | IS NO | APPL SPEC | WEIGHT (g) |
|--------------|----------------------------|----------------------------------|----------------|------------------------|---------|----------|-----------|------------|
| | L.P. | | | WIRE | INS | | | |
| 圧着部記号 | 適用端子型番 | 電線サイズ | 絶縁被覆径 | 圧着高さ | | 取扱説明書番号 | 取付適用規格 | 重量 |
| | ハ"ラ状 | ⑥ | | ⑥ 芯線部 | 被覆部 | | | |
| 16-14 | 316040(REC) 917804(TAB) | #16(1.23-2.00) #14(2.00-2.27) | 3.0-3.8 | 1.81-2.00 1.81-2.23 | 4.04REF | 411-5712 | 114-5206 | 910 |

| | | | | | | | |
|--------------------|--|---|--|---|--|---|--|
| DIMENSIONS: mm | | TOLERANCES UNLESS OTHERWISE SPECIFIED: 0 PLC ± 1 PLC ± 2 PLC ± 3 PLC ± 4 PLC ± ANGLES ± | | DWN J.KOGA 07-May-01 CHR J.KOGA 07-May-01 APVD S.YABE 07-May-01 PRODUCT SPEC - APPLICATION SPEC - WEIGHT - | | | |
| MATERIAL | | FINISH | | CUSTOMER DRAWING | | NAME HEAVY HEAD HAND TOOL (Dynamic D5-S Contact) SIZE A3 CAGE CODE 00779 DRAWING NO C=234170-1 RESTRICTED TO - | |
| | | | | SCALE - | | SHEET OF REV B1 | |

Mouser Electronics

Authorized Distributor

Click to View Pricing, Inventory, Delivery & Lifecycle Information:

[TE Connectivity:](#)

[2-34170-1](#)