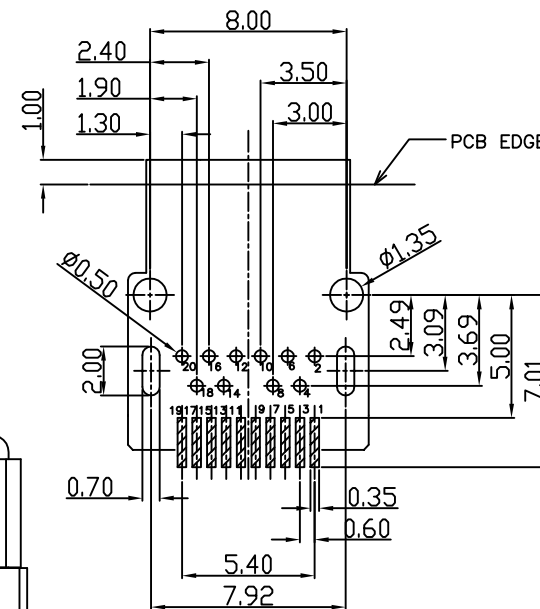
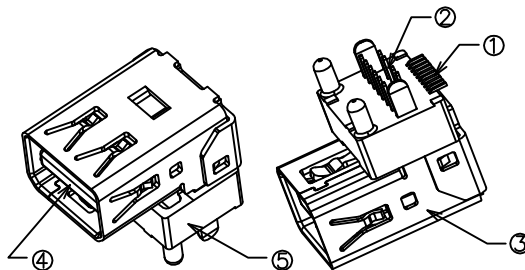
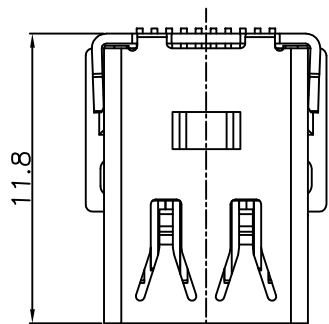
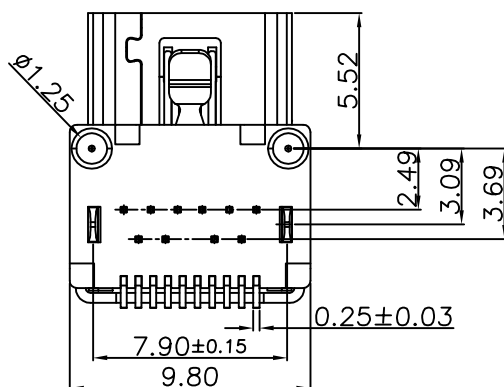
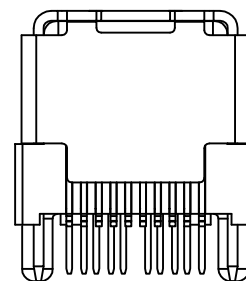
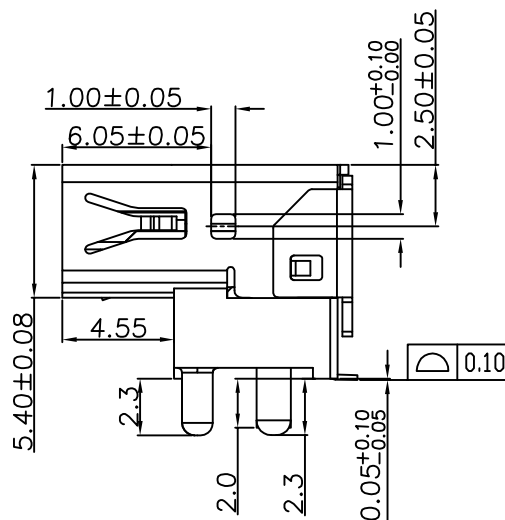
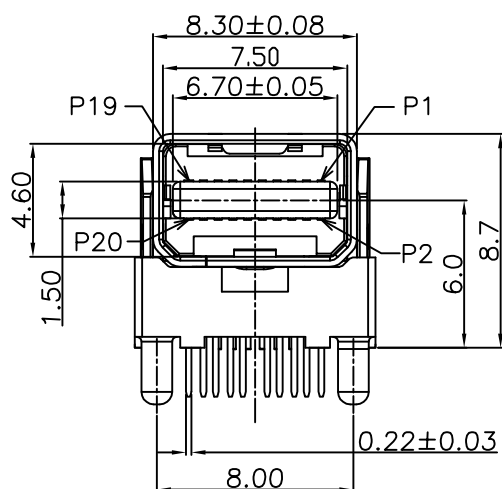


REVISION RECORD		
REV	DESCRIPTION	DRFT



RECOMMENDED PCB LAYOUT
 <BOTTOM VIEW>
 NOTE : TOLERANCE FOR PCB LAYOUT IS ± 0.05



P/N	FINISH
E9320-001-02	Au 30u"
E9320-001-01	GOLD FLASH

ITEM	DESCRIPTIONs	MATERIAL	FINISH	Q'TY	NOTE
5	COVER	LCP		1	BLACK
4	MOLDING	LCP		1	BLACK
3	SHIELD	STEEL	NI	1	t=0.40
2	TERMINAL2	PHOSPHOR BRONZE	Au	1	t=0.20
1	TERMINAL1	PHOSPHOR BRONZE	Au	1	t=0.20

DETACHED LISTS	MM (INCH)	DFTD Roy	DATE 11/20/2012	RoHS Compliant	
	TOLERANCES EXCEPT AS NOTED	CHKD	DATE		
	MM .0 ± 0.38 .0 ± 0.25 .00 ± 0.15	± ± ±	APPVL	DATE	TITLE THUNDERBOLT(MINI DISPLAYPORT) RECEPTACLE
	X* X*X'	±1* ±0.5*	MATERIAL :	QT'Y :	
	THIRD ANGLE PROJECTION	SCALE : 1:1	FINISH :	DO NOT SCALE DRAWING	
				SIZE A3	REV 01

Mouser Electronics

Authorized Distributor

Click to View Pricing, Inventory, Delivery & Lifecycle Information:

Pulse:

[E9320-001-01](#)