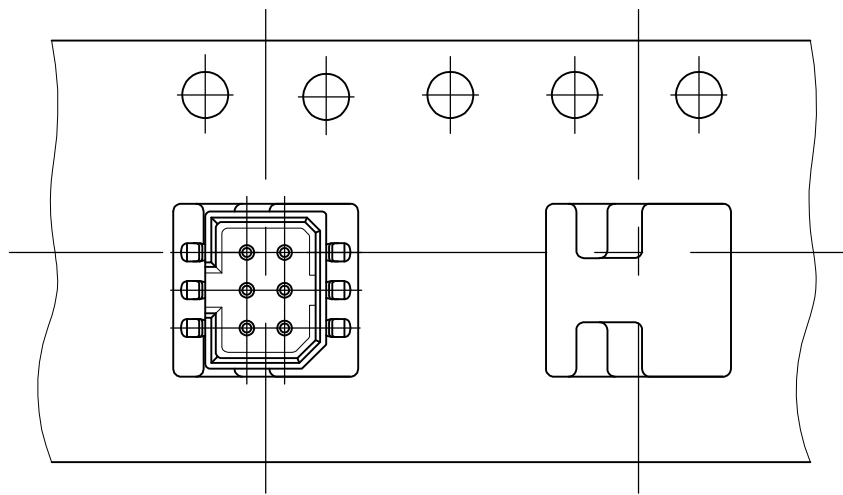
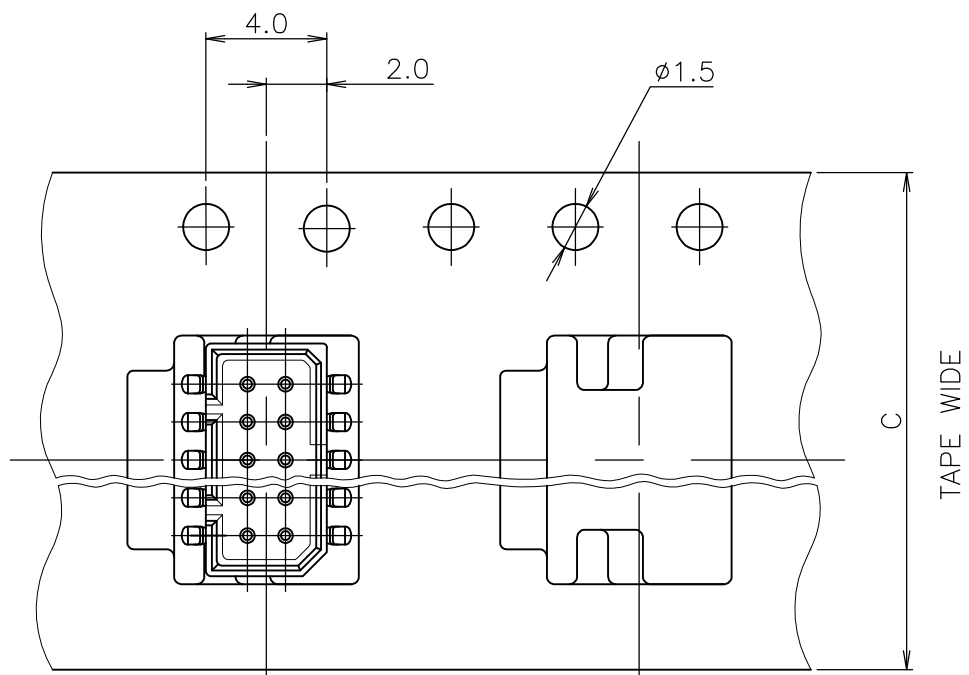
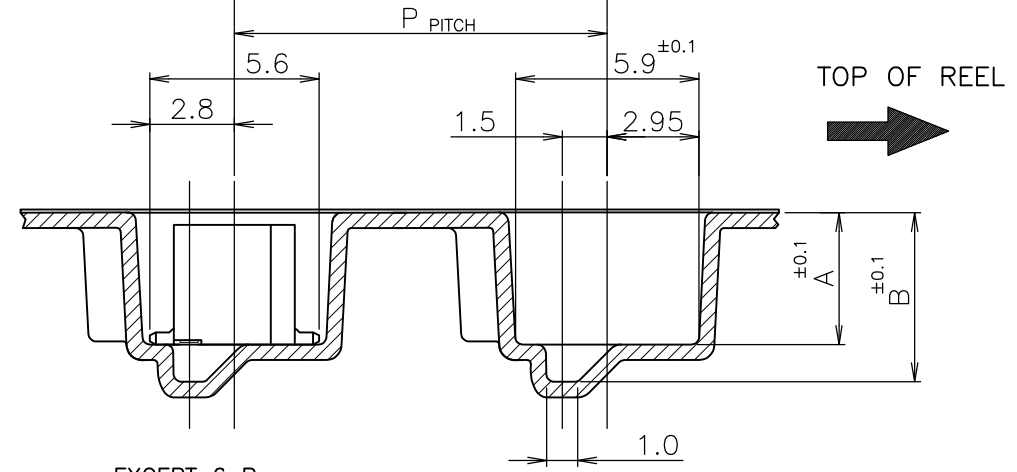


THIS DRAWING IS UNPUBLISHED. RELEASED FOR PUBLICATION
 © COPYRIGHT By - ALL RIGHTS RESERVED.

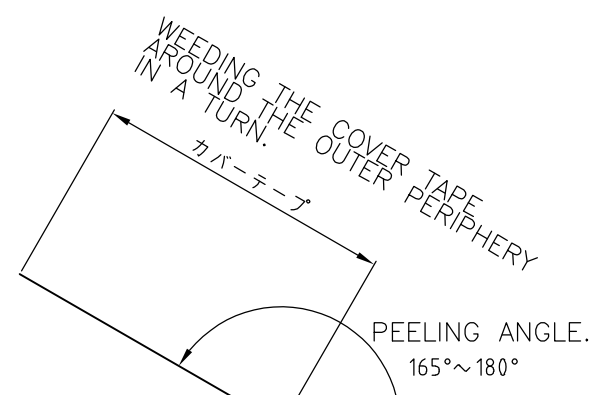
REVISIONS				
P	LTR	DESCRIPTION	DATE	APVD
J		REVISED PER ECR-16-013052	19SEP2016	WL SY



鉛フリー
LEAD FREE

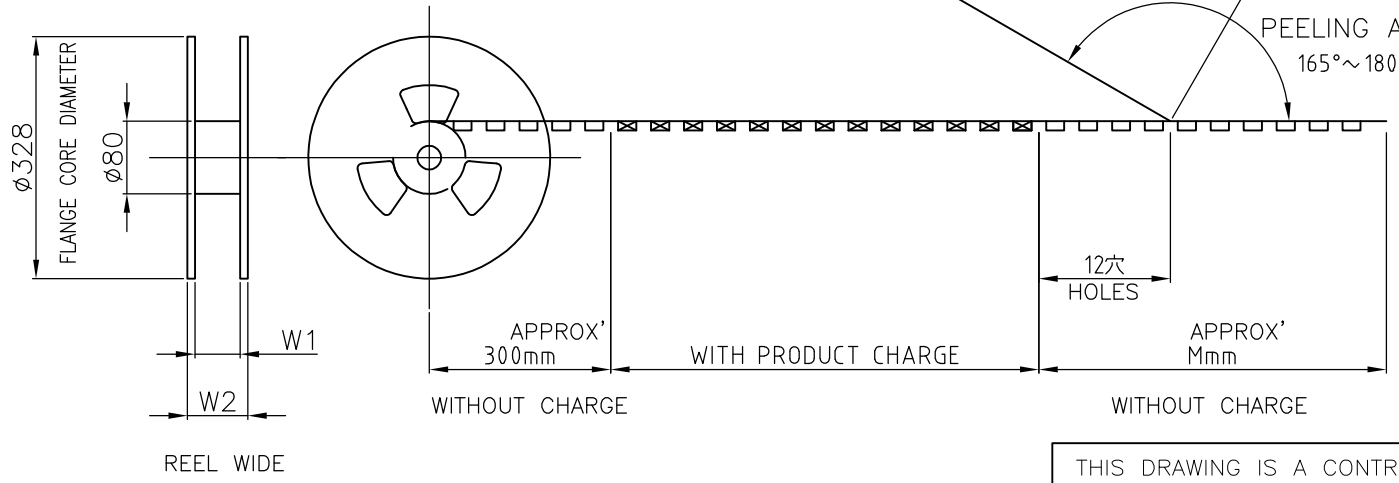


NOTE
 1. PACKAGING SEPC:107-5123-5
 2. OBSOLETE PARTS: OBSOLETE CIS STREAMLINING PER D.RENAUD/D.SINISI
 3. OBSOLETE PARTS.



↑	↑	↑	↑	↑	↑	7.45	6.25	750	16	1-912054-8	7-	↑	-6	2-7	↑	-6
						↑	↑	↑	24	3-912051-4	5-		-4	5-		-4
									22	912055-3	5-		-2	2-5		-2
									20	3- ↑ -2	5-		-0	5-		-0
									18	912051-8	4-		-8	4-		-8
29	26					24			16	912055-2	4-		-6	3-4		-6
↑	↑									↑						
									12	↑ -2	4-		-2	4-		-2
									10	912051-1	4-		-0	4-		-0
21	18					16	5.45	4.25	1000	6	912055-1	3-		-6	3-	-6
↑	↑					↑	↑	↑	↑	20	7-912075-1	2-		-0	2-2	-0
29	26	300	12	24	6.95	5.75	750	16	912055-4	1-174645-6						1-176891-6
W ₂	W ₁	M	P	C	B	A	数量 (ヶ) QTY/REEL	極数 Pos.	エンボステープ 型番 EMBOSS TAPE P/N	コネクタ型番 (パッケージ) CONNECTOR P/N						リール番 コネクタ型番 TAPING P/N

EXCEPT 6 Pos.



THIS DRAWING IS A CONTROLLED DOCUMENT.

DWN	E.CHIN	02NOV98	 TE Connectivity	ON TAPING 1.25 F-P CONNECTOR DOUBLE ROW POST HDR ASSY SMT TYPE WITHOUT BOSS		
CHK	J.TANIGAWA	02NOV98				
APVD	S.KUBOUCHI	02NOV98				
PRODUCT SPEC	108-5246					
APPLICATION SPEC			SIZE	CAGE CODE	DRAWING NO	RESTRICTED TO
WEIGHT	0		A3	00779	C-176891	
CUSTOMER DRAWING			SCALE	SHEET	1 OF 2	REV
						J

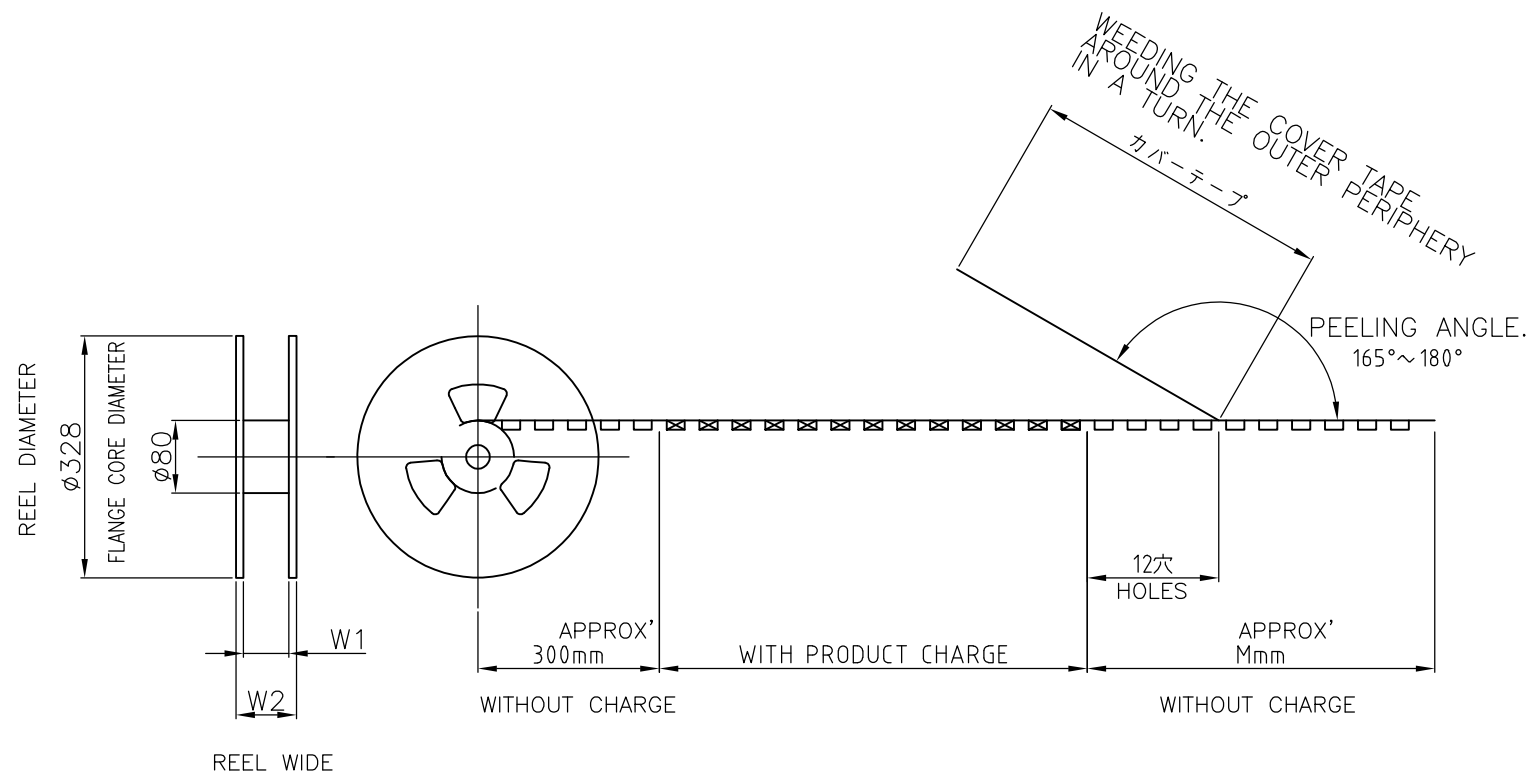
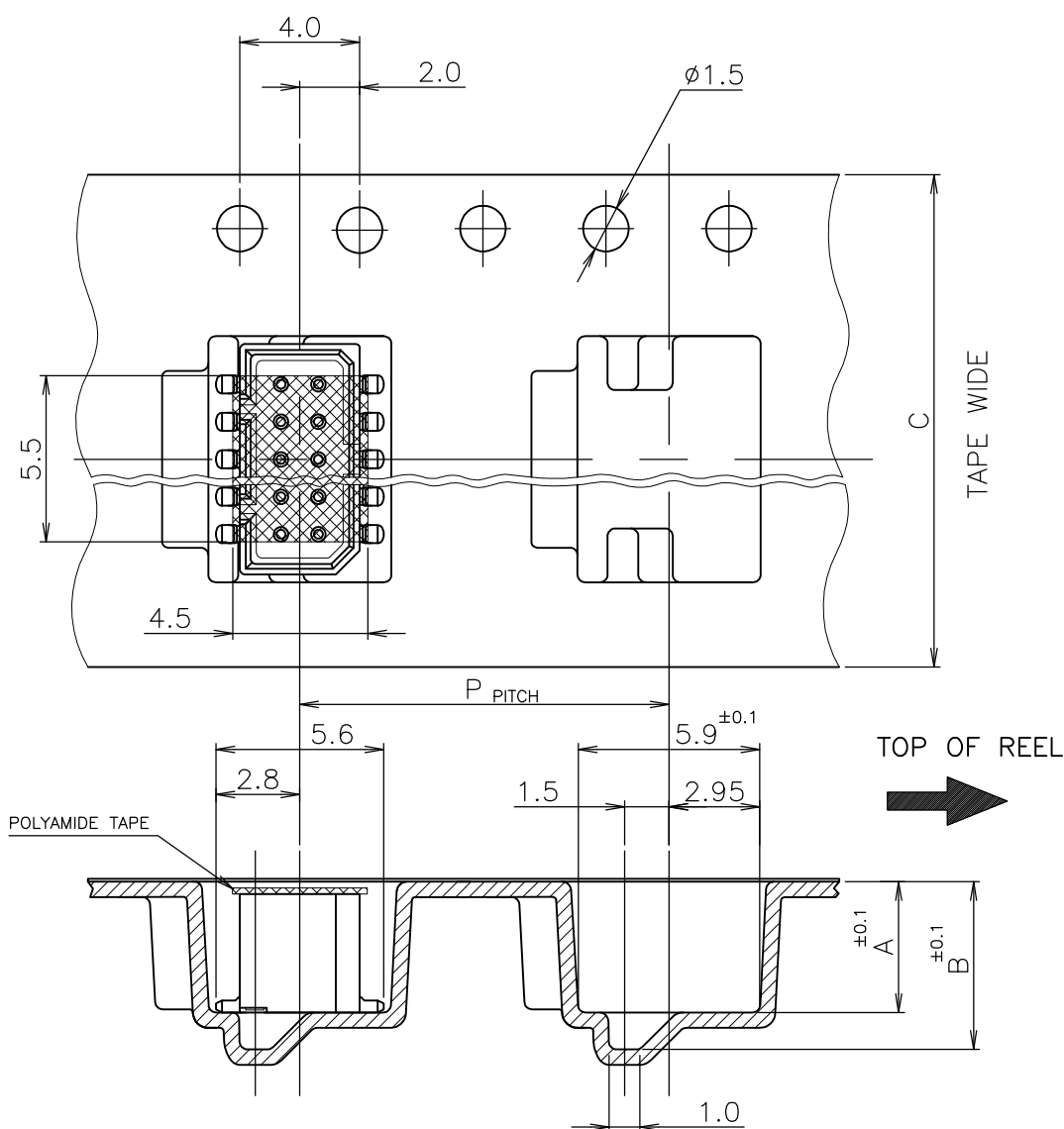
THIS DRAWING IS UNPUBLISHED.

RELEASED FOR PUBLICATION

REVISIONS


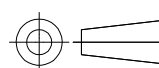
© COPYRIGHT By - ALL RIGHTS RESERVED.

P	LTR	DESCRIPTION	DATE	DWN	APVD
-	-	SEE SHEET 1	-	-	-



WITH POLYAMIDE TAPE

29	26	↑	↑	24	↑	↑	↑	16	912055-2	4-174645-6	9-176891-6
21	18	↑	↑	16	↑	↑	↑	12	912051-2	4-174645-2	9-176891-2
21	18	300	12	16	5.45	4.25	1000	14	912051-4	4-174645-4	4-176891-4
W ₂	W ₁	M	P	C	B	A	数量 (件) QTY/REEL	極数 Pos.	エンボステープ 型番 EMBOSS TAPE P/N	コネクタ型番 (バラ裸) CONNECTOR P/N	リール番 コネクタ型番 TAPING P/N

THIS DRAWING IS A CONTROLLED DOCUMENT.		DWN E.CHIN 02NOV98	 TE Connectivity					
DIMENSIONS: mm		CHK J.TANIGAWA 02NOV98				NAME		
TOLERANCES UNLESS OTHERWISE SPECIFIED:		APVD S.KUBOUCHI 02NOV98				ON TAPING 1.25 F-P CONNECTOR DOUBLE ROW POST HDR ASSY SMT TYPE WITHOUT BOSS		
 0 PLC ± 1 PLC ± 2 PLC ± 3 PLC ± 4 PLC ± ANGLES ±		PRODUCT SPEC 108-5246				SIZE	CAGE CODE	DRAWING NO
MATERIAL		FINISH	WEIGHT 0	A3 00779 C-176891		—		
CUSTOMER DRAWING			SCALE	SHEET 2 OF 2	REV J			