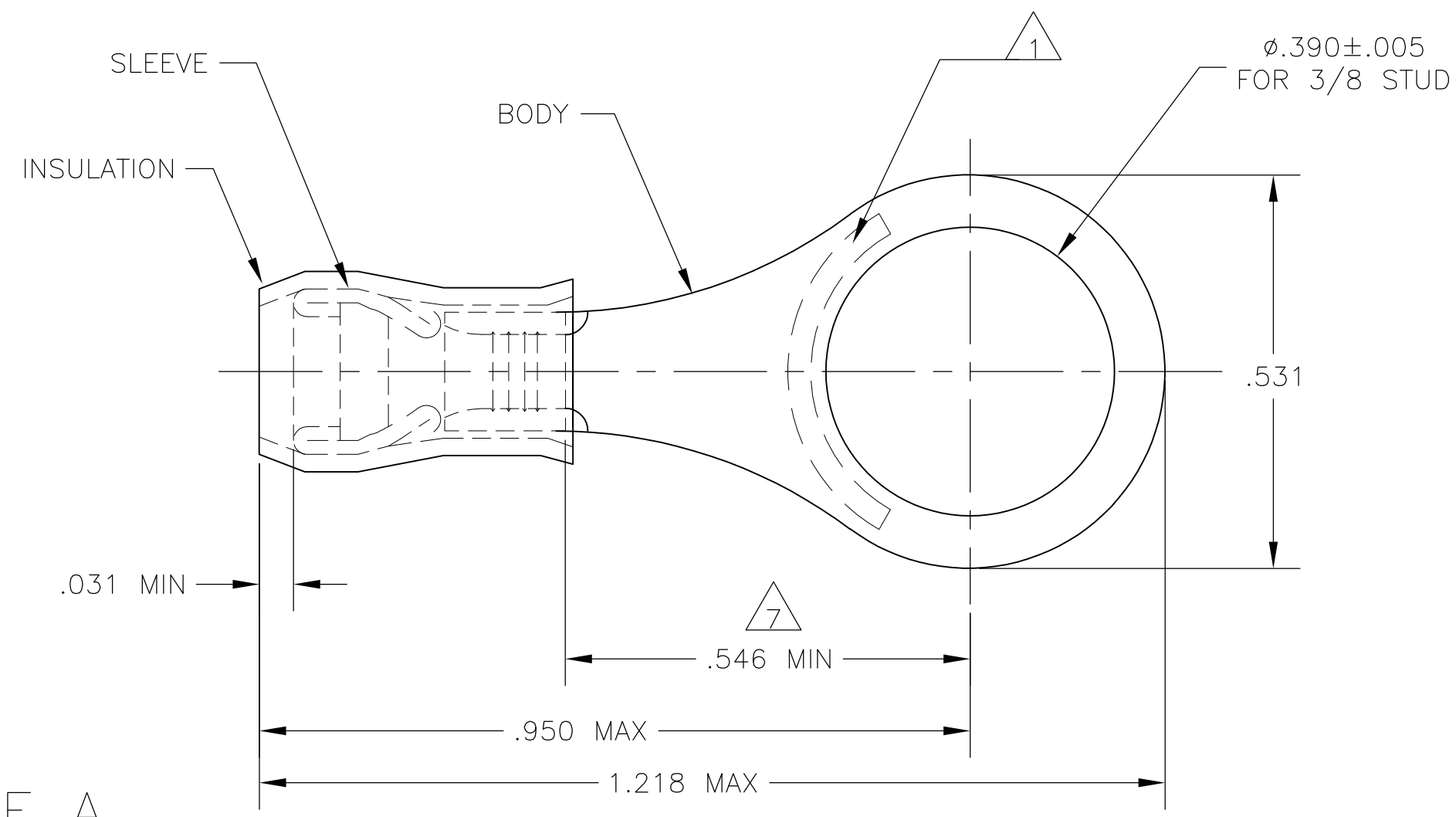
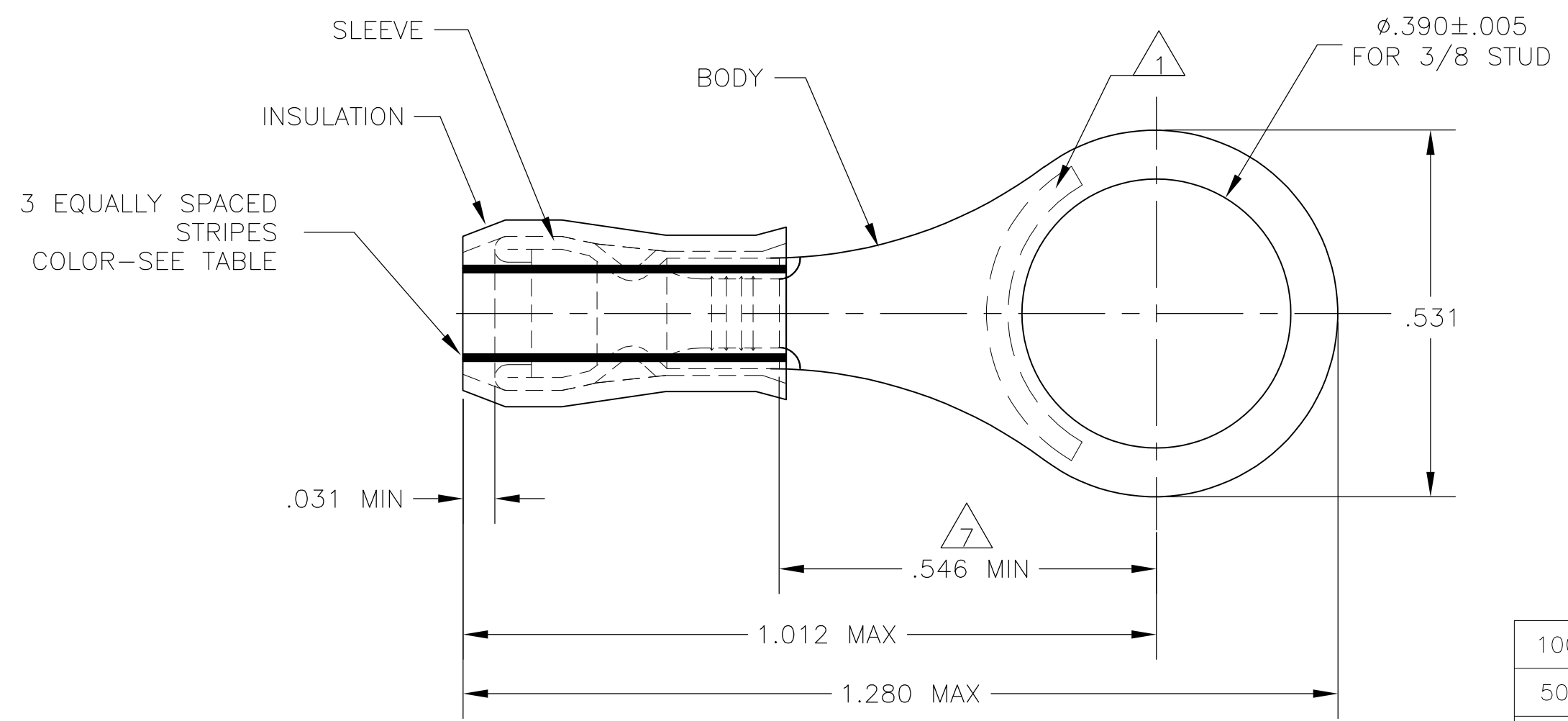


LOC	DIST	REVISIONS					
G	14	P	LTR	DESCRIPTION	DATE	DWN	APVD
		N		REVISED PER ECO-14-015277	24FEB2015	NK	DR



STYLE A



STYLE B
INSULATION RESTRICTING

AMP WIRE RANGE	E13288 Listed	LR7189 Certified
16-14 AWG SOLID OR STRANDED	16-14 AWG SOLID OR STRANDED	16-14 AWG SOLID OR STRANDED

- 1 STAMP "AMP - SEE TABLE" APPROX AS SHOWN.
- 2 WIRE INSULATION DIA: SEE TABLE.
- 3 TONGUE MATERIAL THK: .031±.002.
- 4 BODY: TIN PLATE .000100 MIN EXT THK PER ASTM B545.
- 5 SLEEVE: TIN PLATE .000100 MIN EXT THK PER ASTM B545.
- 6 BODY & SLEEVE- CU PER ASTM B152 INSULATION - NYLON PER ASTM D4066 COLOR - BLUE.
- 7 APPLIES FROM EDGE OF METAL WIRE BARREL TO CENTER OF STUD HOLE.
- 8 MEETS MS25036-110, CLASS 1 & 2.
- 9 MEETS M7928/1-45, CLASS 1 & 2.
- 10 MEETS M7928/1-54, CLASS 1 & 2.

QTY	PACKAGE TYPE	STAMPING	WIRE INSUL DIA	WIRE SIZE	STRIPE COLOR	STYLE	BODY FINISH	SLEEVE FINISH	PART NO
100	LOOSE PIECE, BOX	16-14	.105-.150	16-14	--	A			8-320564-1
500	320564 ON TAPE	16-14	.105-.150	16-14	--	A			2-320564-3
500	LOOSE PIECE	14	.078-.130	14	GREEN	B	4	5	2-320564-2
500	LOOSE PIECE	16	.063-.130	16	BLUE	B			2-320564-1
500	LOOSE PIECE	16-14	.105-.150	16-14	--	A			320564

CUSTOMER SERVICE SYSTEMS		MAX RECOMMENDED OPERATING TEMPERATURE: 105°C MAX	THIS DRAWING IS A CONTROLLED DOCUMENT.		DWN JR RUTH 13JAN10		TE Connectivity					
FOR ADDITIONAL PRODUCT INFORMATION OR COPIES OF DRAWINGS AND TECHNICAL DOCUMENTS	PRODUCT INFORMATION CENTER 1-800-522-6752	VOLTAGE RATING: 300 VOLT MAX	DIMENSIONS: INCHES	TOLERANCES UNLESS OTHERWISE SPECIFIED:	CHK T MICHIELUTTI 13JAN10		NAME	TERMINAL, RING TONGUE, PIDG				
FOR APPLICATION TOOLING INFORMATION	TOOLING ASSISTANCE CENTER 1-800-722-1111	CIRCULAR MIL AREA: 1.04-2.62mm² [2,050-5,180] STRANDED OR SOLID		0 PLC ± - 1 PLC ± - 2 PLC ± - 3 PLC ± .008 4 PLC ± - ANGLES ± -	APVD T MICHIELUTTI 13JAN10		PRODUCT SPEC	WIRE SIZE: 16-14 AWG				
FOR ORDER ENTRY	1-800-526-5142		MATERIAL	FINISH	APPLICATION SPEC		WEIGHT	SIZE	CAGE CODE	DRAWING NO	RESTRICTED TO	
		THIS DRAWING IS A CONTROLLED DOCUMENT FOR AMP INCORPORATED. IT IS SUBJECT TO CHANGE AND THE CONTROLLING ENGINEERING ORGANIZATION SHOULD BE CONTACTED FOR THE LATEST REVISION.					A2	00779	C=320564			
						CUSTOMER DRAWING	SCALE	5:1	SHEET	1 of 1	REV	N

Mouser Electronics

Authorized Distributor

Click to View Pricing, Inventory, Delivery & Lifecycle Information:

[TE Connectivity:](#)

[2-320564-2](#)