

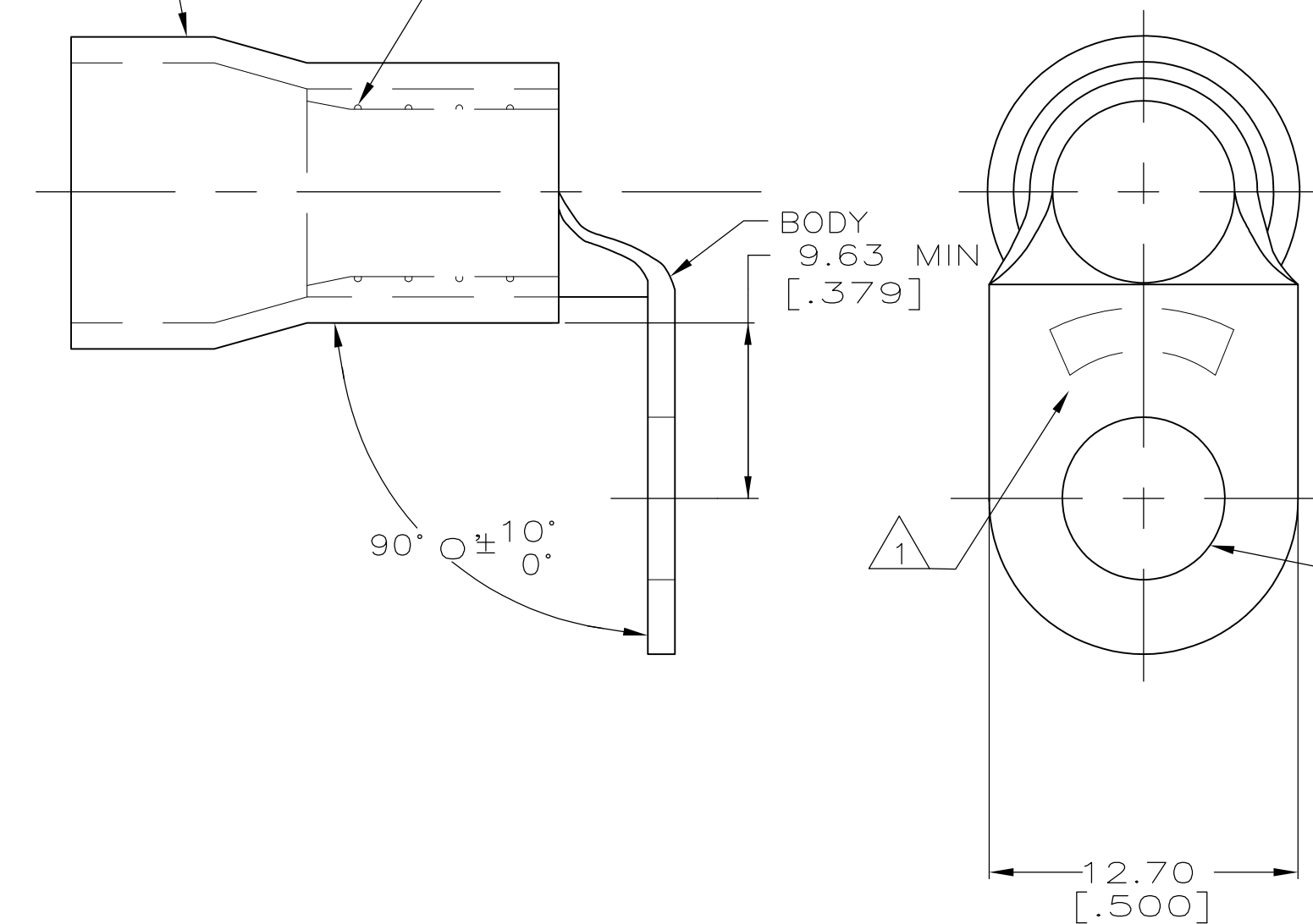


THIS DRAWING IS UNPUBLISHED. RELEASED FOR PUBLICATION
 © COPYRIGHT BY TYCO ELECTRONICS CORPORATION. ALL INTERNATIONAL RIGHTS RESERVED.

LOC	DIST	REVISIONS					
		P	LTR	DESCRIPTION	DATE	DWN	APVD
G	14		E1	REVISED PER ECO-11-002228	11FEB11	HMR	DR

AMP WIRE RANGE	 FILE E13288	 LR7189 Certified
6 AWG STRANDED	6 AWG STRANDED	6 AWG STRANDED

SLEEVE DIMPLED SURFACE

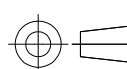


- 1 STAMP AMP 6* LOCATE APPROX AS SHOWN
- 2 TONGUE MATERIAL THK 1.14±0.08[.045±.003]
- 3 WIRE INSULATION DIA 11.07[.436] MAX

6.73±0.13
 [.265±.005] DIA
 (FOR 1/4 STUD)

100	LOOSE PC	54754-1
QTY	PACKAGE TYPE	PART NO

AMP INCORPORATED CUSTOMER SERVICE SYSTEMS		MAX RECOMMENDED OPERATING TEMPERATURE: 105° C
FOR ADDITIONAL PRODUCT INFORMATION OR COPIES OF DRAWINGS AND TECHNICAL DOCUMENTS	PRODUCT INFORMATION CENTER 1-800-522-6752	VOLTAGE RATING: 600 V MAX
FOR APPLICATION TOOLING INFORMATION	TOOLING ASSISTANCE CENTER 1-800-722-1111	CIRCULAR MIL AREA: 10.54-16.77mm ² [20,800-33,100]
FOR ORDER ENTRY	1-800-526-5142	THIS DRAWING IS A CONTROLLED DOCUMENT FOR AMP INCORPORATED. IT IS SUBJECT TO CHANGE AND THE CONTROLLING ENGINEERING ORGANIZATION SHOULD BE CONTACTED FOR THE LATEST REVISION.

THIS DRAWING IS A CONTROLLED DOCUMENT.	
DIMENSIONS: mm [INCHES]	TOLERANCES UNLESS OTHERWISE SPECIFIED:
	0 PLC ± -
	1 PLC ± -
	2 PLC ± 0.20[.008]
	3 PLC ± -
	4 PLC ± -
	ANGLES ± -
MATERIAL COPPER PER ASTM B-152 PVC, COLOR: BLUE	FINISH TIN PLATE PER ASTM B545

DWN S.S. GOULDEN 10-11-93	Tyco Electronics Corporation Harrisburg, PA 17105-3608	
CHK R. HERSEY 10-11-93	NAME TERMINAL, RING TONGUE-BENT 90 DEG PLASTI-GRIP™ WIRE SIZE: 6 AWG	
APVD B. BARE 10-11-93	PRODUCT SPEC NOT AVAILABLE	RESTRICTED TO -
APPLICATION SPEC 114-2161	SIZE A3	CAGE CODE 00779
WEIGHT -	DRAWING NO G-54754	SCALE 4:1
CUSTOMER DRAWING	SHEET 1 OF 1	REV E1

Mouser Electronics

Authorized Distributor

Click to View Pricing, Inventory, Delivery & Lifecycle Information:

[TE Connectivity:](#)

[54754-1](#)