

PLEASE CHECK WWW.MOLEX.COM FOR LATEST PART INFORMATION

Part Number: [1045398102](#)
Status: **Active**
Overview: [IllumiMate Connector System](#)
Description: IllumiMate 1.25mm Wire-to-Board Receptacle Terminal, Pre-plated, Tin (Sn)

Documents:

[Drawing \(PDF\)](#) [Packaging Specification PK-104539-001-001 \(PDF\)](#)
[Product Specification PS-104130-001-001 \(PDF\)](#) [RoHS Certificate of Compliance \(PDF\)](#)
[Product Specification PS-104130-002-001 \(PDF\)](#)

General

Product Family	Crimp Terminals
Series	104539
Application	Signal
Crimp Quality Equipment	Yes
Overview	IllumiMate Connector System
Product Name	IllumiMate
UPC	884982703599

Physical

Durability (mating cycles max)	30
Gender	Female
Material - Metal	Phosphor Bronze
Material - Plating Mating	Tin
Material - Plating Termination	Tin
Net Weight	0.019/g
Packaging Type	Reel
Termination Interface: Style	Crimp or Compression
Wire Insulation Diameter	0.95mm max.
Wire Size AWG	30, 32
Wire Size mm ²	N/A

Electrical

Current - Maximum per Contact	1.0A
Voltage - Maximum	250V

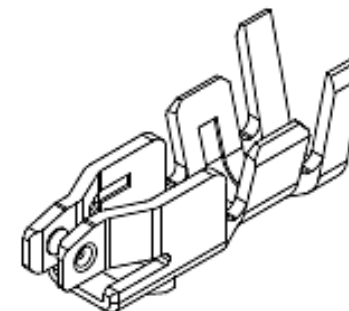
Solder Process Data

Lead-freeProcess Capability	N/A
-----------------------------	-----

Material Info

Reference - Drawing Numbers

Crimp Specification	CS-104539-001-001
Packaging Specification	PK-104539-001-001
Product Specification	PS-104130-001-001, PS-104130-002-001
Sales Drawing	SD-104539-002



Series image - Reference only

EU ELV

Not Relevant

EU RoHS

Compliant

REACH SVHC

Not Contained Per
-ED/01/2018 (15
January 2018)

Halogen-Free

Status

Low-Halogen

Need more information on product environmental compliance?

Email productcompliance@molex.com
Please visit the [Contact Us](#) section for any non-product compliance questions.

China ROHS	Green Image
ELV	Not Relevant
RoHS Phthalates	Not Contained

Search Parts in this Series

[104539](#) Series

Use With

IllumiMate 1.25mm Pitch Wire-to-Board Crimp Housing [104131-0300](#) , [104131-0500](#)

Application Tooling | FAQ

Tooling specifications and manuals are found by selecting the products below. Crimp Height Specifications are then contained in the Application Tooling Specification document.

Global

Description	Product #
Hand Crimp Tool for IllumiMate 1.25mm Wire-to-Board Crimp Terminals	0638271000

This document was generated on 02/27/2018

PLEASE CHECK WWW.MOLEX.COM FOR LATEST PART INFORMATION

Mouser Electronics

Authorized Distributor

Click to View Pricing, Inventory, Delivery & Lifecycle Information:

[Molex:](#)

[104539-8102](#) [104539-8102 \(Cut Strip\)](#) [104539-8102 \(Mouser Reel\)](#) [104539-8002 \(Loose Piece\)](#) [104539-8102 \(Loose Piece\)](#)