



FEATURES

- RoHS compliant
- Up to 4.6A I_{DC}
- 3.3µH to 680µH
- Optional integral EMI shield
- Low R_{DC}
- Surface mount
- Compact size
- Tape and reel packaging
- J-STD-020C reflow
- Backward compatible with Sn/Pb soldering systems

DESCRIPTION

The 2600 series is a range of bobbin-wound, surface-mount inductors designed for use in switching power supply, and power line filter circuits. The parts are suitable for any application requiring a high saturation current in a miniature surface-mount footprint. Where EMI is a critical factor, the devices are available with an integral ferrite EMI shield.

SELECTION GUIDE (UNSHIELDED TYPES)

Order Code	Inductance (1kHz, 100mVAc)	Inductance Range (1kHz, 100mVAc)	DC Current ¹	DC Resistance	SRF (100mVrms)
	Nom.	Min. - Max.	Max.	Max.	Nom.
	µH	µH	A	mΩ	MHz
263R3C	3.3	2.13-3.95	4.40	35	53.0
264R7C	4.7	3.41-6.34	3.60	45	37.0
266R8C	6.8	5.00-9.28	3.10	54	31.0
26100C	10	8.00-12.0	2.60	60	24.8
26120C	12	7.95-14.8	2.42	68	24.0
26150C	15	12.0-18.0	2.27	90	20.2
26180C	18	12.9-24.0	2.10	87	19.0
26220C	22	17.6-26.4	1.95	100	16.9
26330C	33	26.4-39.6	1.50	120	12.8
26470C	47	42.3-51.7	1.28	170	10.2
26680C	68	61.2-74.8	1.11	220	8.37
26101C	100	90.0-110	0.97	350	6.56
26151C	150	135-165	0.78	470	5.20
26221C	220	198-242	0.66	730	4.00
26331C	330	297-363	0.52	1150	3.14
26471C	470	423-517	0.42	1480	2.54
26681C	680	612-748	0.28	2250	1.97

SELECTION GUIDE (SHIELDED TYPES)

Order Code	Inductance (1kHz, 100mVAc)	Inductance Range (1kHz, 100mVAc)	DC Current ¹	DC Resistance	SRF (100mVrms)
	Nom.	Min. - Max.	Max.	Max.	Nom.
	µH	µH	A	mΩ	MHz
26S3R3C	3.3	2.69-5.46	4.60	33	46.0
26S4R7C	4.7	3.58-7.15	3.80	38	38.0
26S6R8C	6.8	4.60-8.97	3.21	43	30.0
26S100C	10	8.00-12.0	2.65	50	22.9
26S120C	12	8.42-15.9	2.55	58	21.0
26S150C	15	12.0-18.0	2.45	60	19.7
26S180C	18	13.4-25.6	2.32	74	16.0
26S220C	22	18.7-26.4	2.20	70	15.5
26S330C	33	28.1-39.6	1.80	100	11.5
26S470C	47	40.0-56.4	1.50	120	9.44
26S680C	68	57.8-81.6	1.26	170	7.47
26S101C	100	85.0-120	1.05	250	6.04
26S151C	150	128-180	0.85	400	4.67
26S221C	220	187-264	0.70	520	3.75
26S331C	330	281-396	0.57	800	2.87
26S471C	470	400-564	0.48	1200	2.33
26S681C	680	578-816	0.40	1780	1.83

ABSOLUTE MAXIMUM RATINGS

Operating free air temperature range	-40°C to 85°C
Storage temperature range	-40°C to 125°C

SOLDERING INFORMATION²

Peak reflow temperature	245°C
Pin finish	Hot dipped tin

Specifications typical at T_a = 25°C

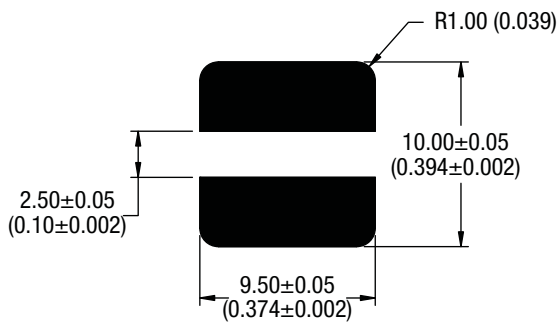
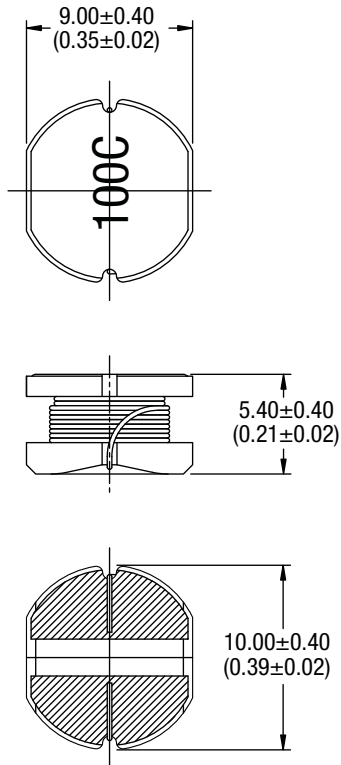
- 1 The maximum DC current is the value at which the inductance falls to 80% of its nominal value or when its temperature rise reaches 40°C, whichever is sooner.
- 2 For further information, please visit www.murata-ps.com/rohs



For full details go to
www.murata-ps.com/rohs

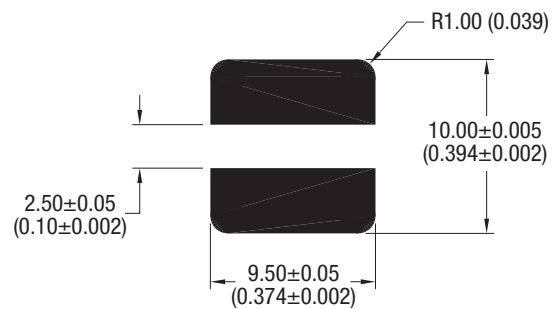
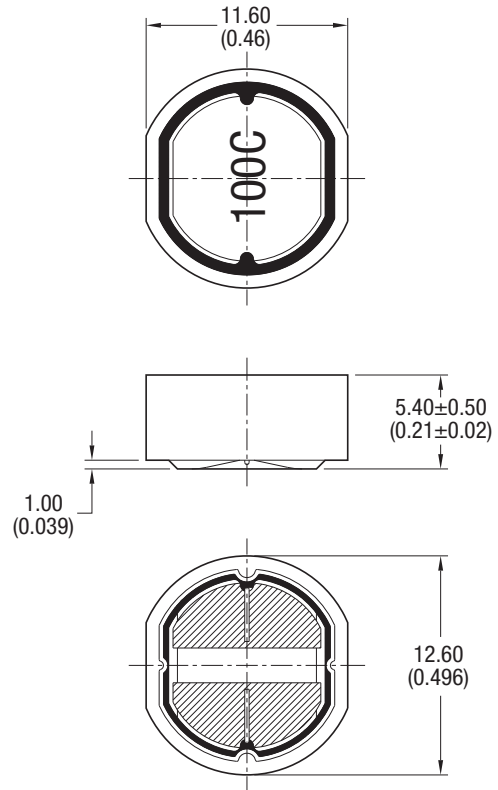
MECHANICAL DIMENSIONS

UNSHIELDED TYPES



Unless otherwise stated all dimensions in mm (inches) ±0.25 (0.01). Package Weight 1.54g Typ.

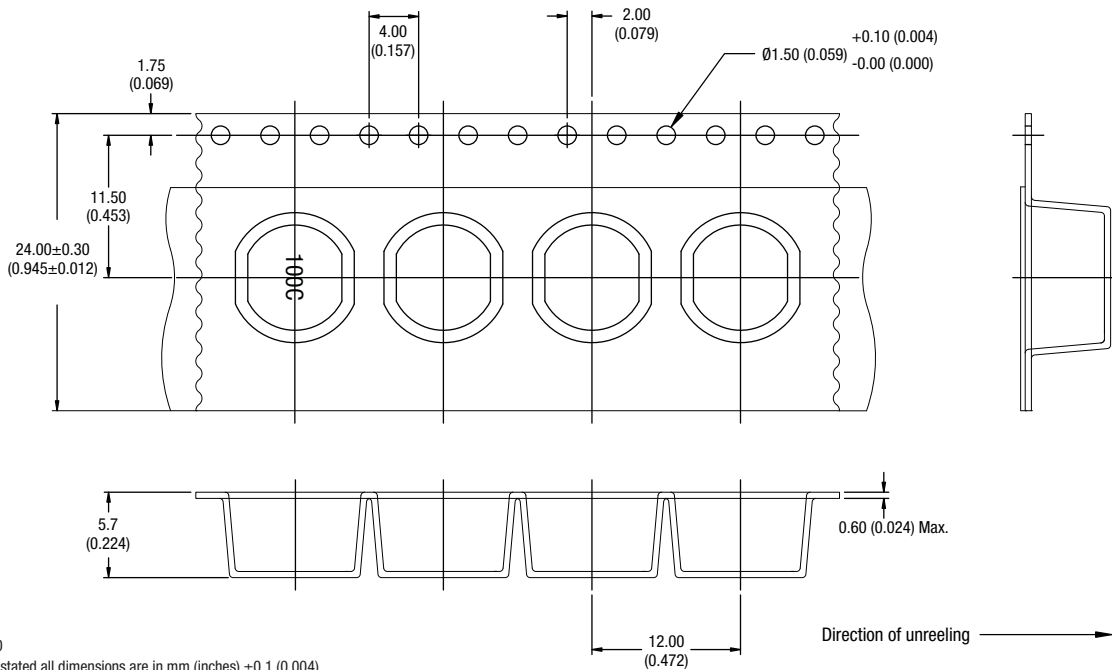
SHIELDED TYPES



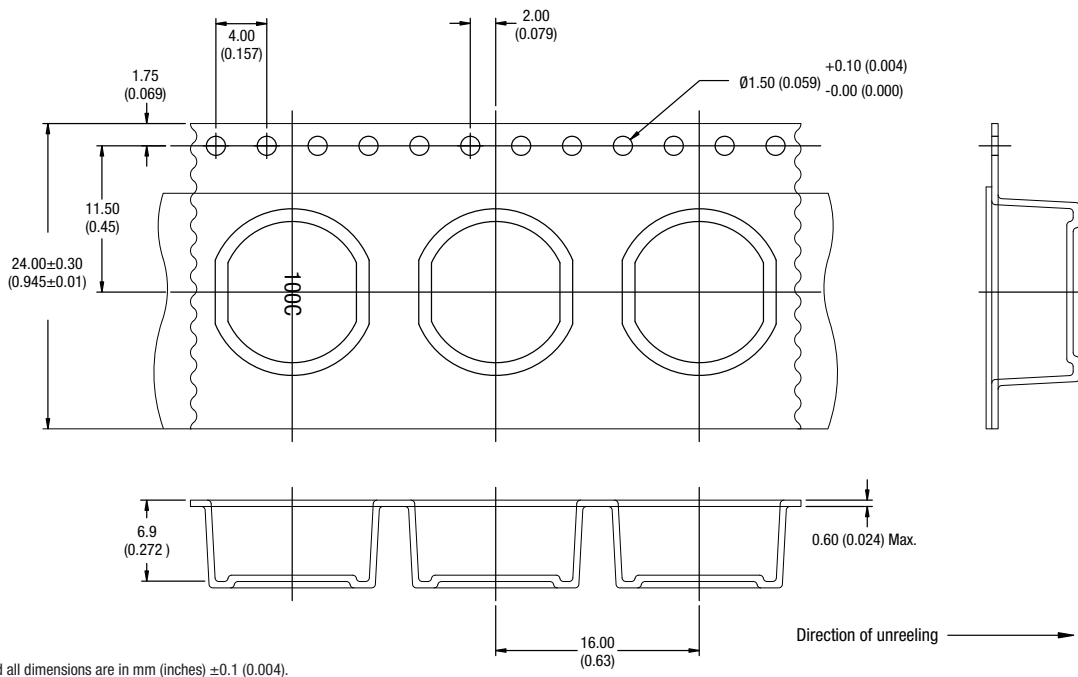
Unless otherwise stated all dimensions in mm (inches) ±0.25 (0.01). Package Weight 2.34g Typ.

TAPE & REEL SPECIFICATIONS

TAPE OUTLINE DIMENSIONS - UNSHIELDED PARTS

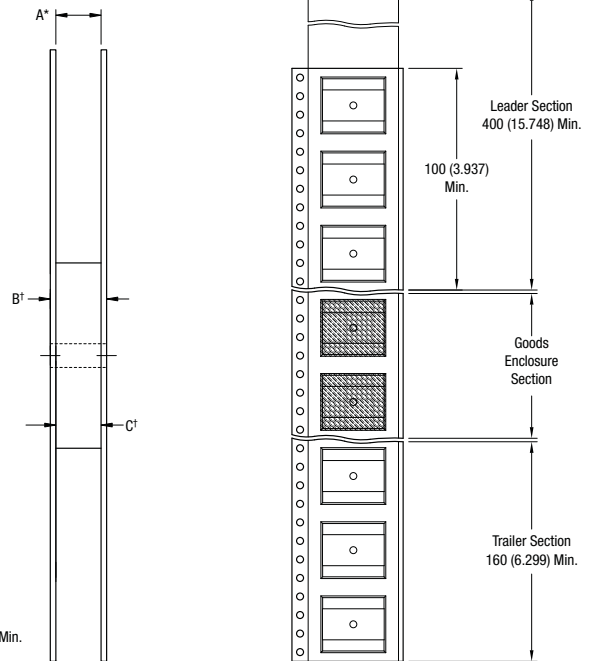
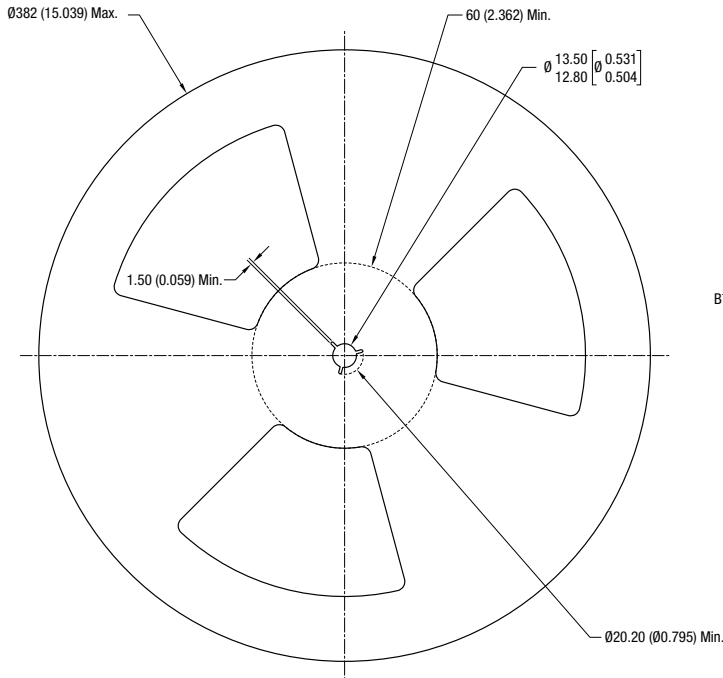


TAPE OUTLINE DIMENSIONS - SHIELDED PARTS



TAPE & REEL SPECIFICATIONS

REEL OUTLINE DIMENSIONS



All dimension in mm [inches]
 * Includes flange distortion at outer edge
 † Measured at hub

	A	B (Max.)	C
Unshielded Types	23.9-27.4 (0.94-1.08)	30.4 (1.197)	24.4-26.4 (0.96-1.04)
Shielded Types	23.9-27.4 (0.94-1.08)	30.4 (1.197)	24.4-26.4 (0.96-1.04)

Murata Power Solutions, Inc.
 11 Cabot Boulevard, Mansfield, MA 02048-1151 U.S.A.
 ISO 9001 and 14001 REGISTERED

Murata Power Solutions, Inc. makes no representation that the use of its products in the circuits described herein, or the use of other technical information contained herein, will not infringe upon existing or future patent rights. The descriptions contained herein do not imply the granting of licenses to make, use, or sell equipment constructed in accordance therewith. Specifications are subject to change without notice.
 © 2011 Murata Power Solutions, Inc.

Mouser Electronics

Authorized Distributor

Click to View Pricing, Inventory, Delivery & Lifecycle Information:

Murata:

[26101C](#) [26120C](#) [26150C](#) [26151C](#) [26180C](#) [26220C](#) [26221C](#) [26330C](#) [263R3C](#) [26471C](#) [264R7C](#) [26680C](#)
[26681C](#) [266R8C](#) [26S101C](#) [26S120C](#) [26S150C](#) [26S151C](#) [26S180C](#) [26S220C](#) [26S221C](#) [26S330C](#) [26S331C](#)
[26S3R3C](#) [26S470C](#) [26S4R7C](#) [26S680C](#) [26S681C](#) [26S6R8C](#) [26100C](#) [26S471C](#) [26S100C](#) [26331C](#) [26470C](#)
[26180](#) [26220](#) [26101](#) [26221](#) [26471](#) [26330](#) [26100](#) [26331](#) [26120](#) [26681](#) [26150](#) [26680](#) [26470](#)