

- 注記NOTES
1. 使用材料
MATERIAL
ハウジング: ポリアミド(PA)、ガラス充填、UL94V-0、ナチュラル(白)
HOUSING: POLYAMIDE, GLASS FILLED, UL94V-0, NATURAL (WHITE)
アクチュエータ: ポリフェニレンサルファイド (PPS)、ガラス充填、UL94V-0、黒
ACTUATOR: POLYPHENYLENE SULFIDE, GLASS FILLED, UL94V-0, BLACK
ターミナル: リン青銅、(t=0.2)
TERMINAL: PHOSPHOR BRONZE
金具: リン青銅、(t=0.2)
FITTING NAIL: PHOSPHOR BRONZE
 2. めっき仕様
PLATING
ターミナル TERMINAL
錫銀ビスマスマめっき (1.0 μ m以上)
下地: ニッケルめっき (1.0 μ m以上)
TIN SILVER BISMUTH PLATING (1.0 MICROMETER MINIMUM)
UNDER PLATE: NICKEL PLATING (1.0 MICROMETER MINIMUM)
金具 FITTING NAIL
錫めっき (1.0 μ m以上)
下地: ニッケルめっき (1.0 μ m以上)
TIN PLATING (1.0 MICROMETER MINIMUM)
UNDER PLATE: NICKEL PLATING (1.0 MICROMETER MINIMUM)
 3. エンボステープ梱包時は、アクチュエータがロックした状態になります。
IN THE PACKAGE, ACTUATOR SHOULD BE LOCKED.
- △4 偶数極に適用
APPLY FOR EVEN CIRCUIT.
- △5 パターン剥離止め金具
FITTING NAIL FOR PREVENTION OF PEELING OF P.W.B. PATTERN.
- △6 R0.3は、FPCの導体部にかからないこと
R0.3 MUST NOT BE OVERLAPED TO PATTERN OF FPC.
- △7 ソルダーテール方向のズレ量、及び金具半田付け面のずれ量は、基準面 H に対し上方向0.1 MAX、下方向0.15MAXとする。
MISALIGNMENT OF SOLDER TAILS AND FITTING NAILS FROM H UPPER DIRECTION 0.1 MAX., LOWER DIRECTION 0.15 MAX.
8. ELV及びRoHS適合品
ELV AND RoHS COMPLIANT.

16.1	14.3	10.65	9.5	52745-2033	20
15.6	13.8	10.15	9	52745-1933	19
15.1	13.3	9.65	8.5	52745-1833	18
14.6	12.8	9.15	8	52745-1733	17
14.1	12.3	8.65	7.5	52745-1633	16
13.6	11.8	8.15	7	52745-1533	15
13.1	11.3	7.65	6.5	52745-1433	14
12.6	10.8	7.15	6	52745-1333	13
12.1	10.3	6.65	5.5	52745-1233	12
11.6	9.8	6.15	5	52745-1133	11
11.1	9.3	5.65	4.5	52745-1033	10
10.6	8.8	5.15	4	52745-0933	9
10.1	8.3	4.65	3.5	52745-0833	8
9.6	7.8	4.15	3	52745-0733	7
9.1	7.3	3.65	2.5	52745-0633	6
8.1	6.3	2.65	1.5	52745-0433	4
D	C	B	(A)	EMBOSSD PACKAGE	極数
				ORDER No. オーダー番号	CKT.

CONNECTOR SERIES NO. : 52745-**22

GENERAL TOLERANCES (UNLESS SPECIFIED)	
10 UNDER	± 0.2
10 OVER 30 UNDER	± 0.25
30 OVER	± 0.3
ANGULAR	± 3 °
DRAFT WHERE APPLICABLE MUST REMAIN WITHIN DIMENSIONS	

THIS DRAWING CONTAINS INFORMATION THAT IS PROPRIETARY TO MOLEX ELECTRONIC TECHNOLOGIES, LLC AND SHOULD NOT BE USED WITHOUT WRITTEN PERMISSION

DIMENSION UNITS: mm SCALE: 10:1

CURRENT REV DESC: REVISED

molex

0.5MM FPC CONN ZIF R/A HOUSING ASSY (UPPER CONTACT)

PRODUCT CUSTOMER DRAWING

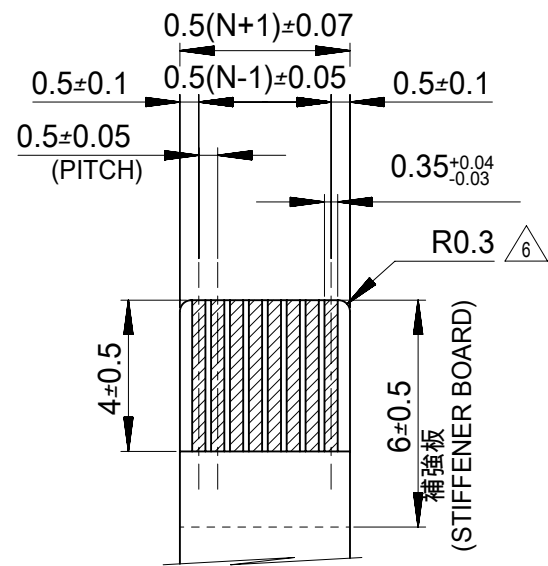
DOCUMENT NUMBER: SD-52745-055 DOC TYPE: PSD DOC PART: 001 REVISION: B

GENERAL MARKET SHEET NUMBER: 1 OF 2

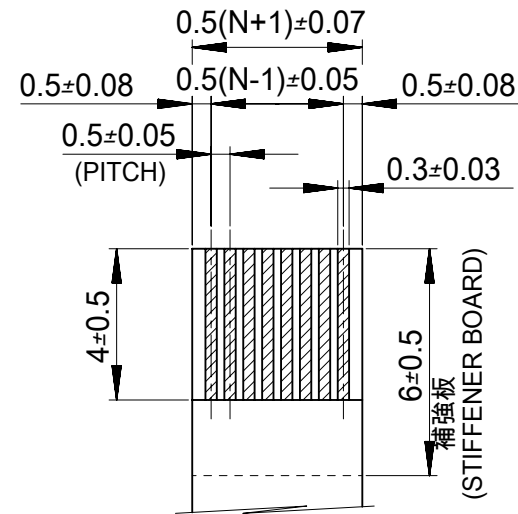
EC NO: 600129 DRWN: YCHEN128 2018/04/09
CHK'D: KTAKAHASHI 2018/04/12
APPR: NUKITA 2018/04/13

INITIAL REVISION:
DRWN: TMORISHITA 2012/09/06
APPR: KMORIKAWA 2013/03/15

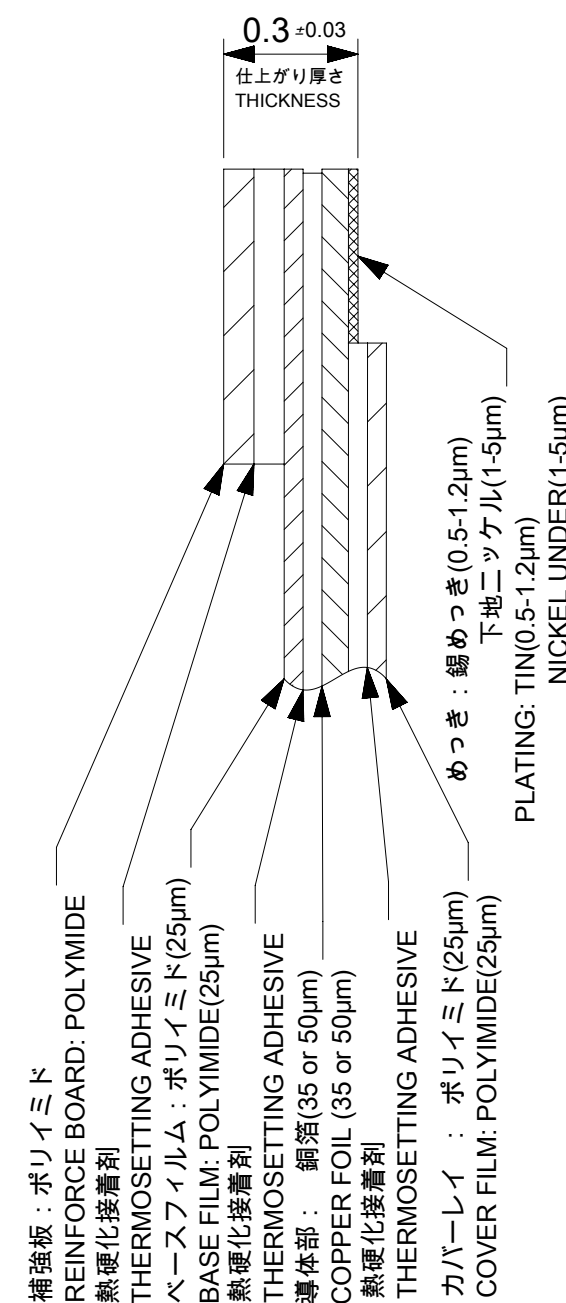
THIRD ANGLE PROJECTION DRAWING SERIES MATERIAL NUMBER CUSTOMER SHEET NUMBER
A3-SIZE 52745 GENERAL MARKET 1 OF 2



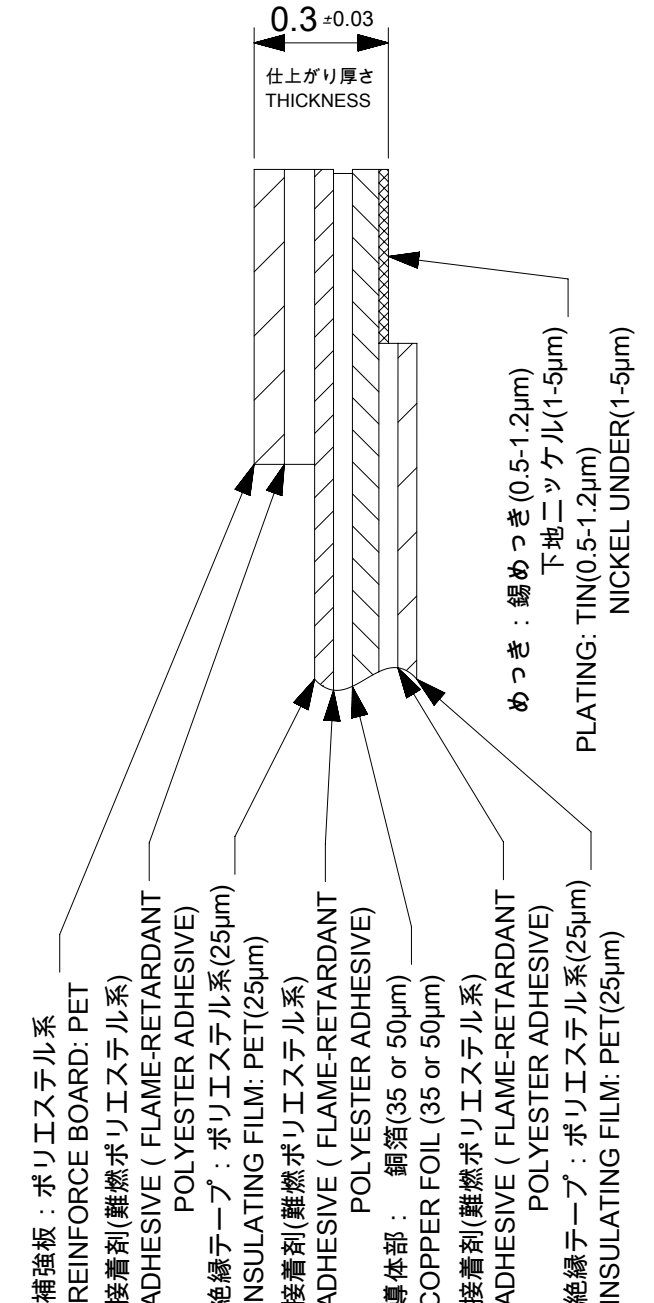
適合FPC推奨寸法
 APPLICABLE FPC
 PLATING RECOMMENDED DIMENSION
 仕上がり厚さ: 0.3±0.03
 THICKNESS: 0.3+0.03/-0.03



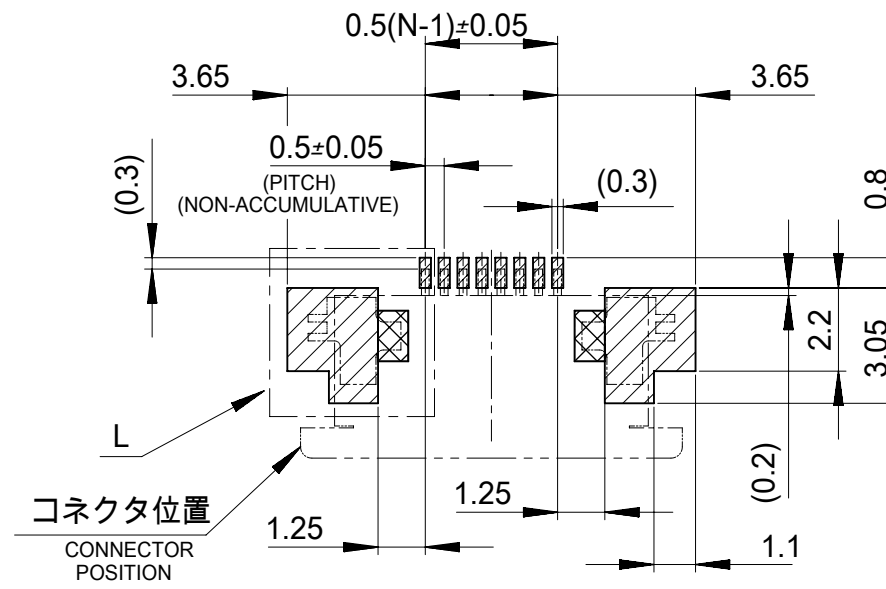
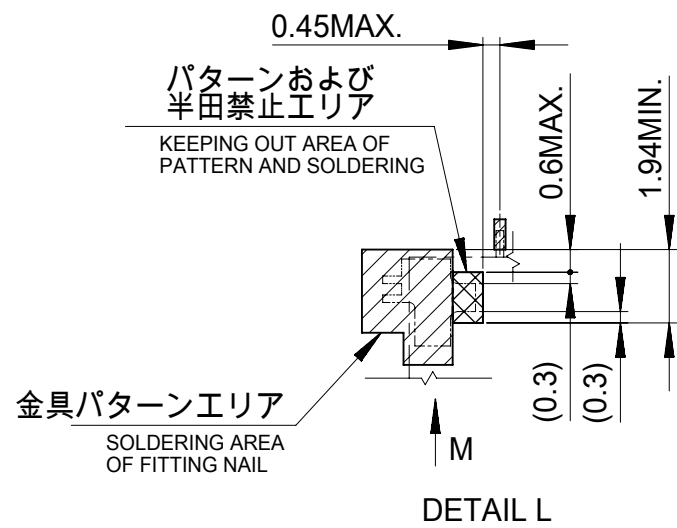
適合FFC推奨寸法
 APPLICABLE FFC
 PLATING RECOMMENDED DIMENSION
 仕上がり厚さ: 0.3±0.03
 THICKNESS: 0.3+0.03/-0.03



FPC構成推奨仕様
 RECOMMENDED STRUCTURE OF FPC

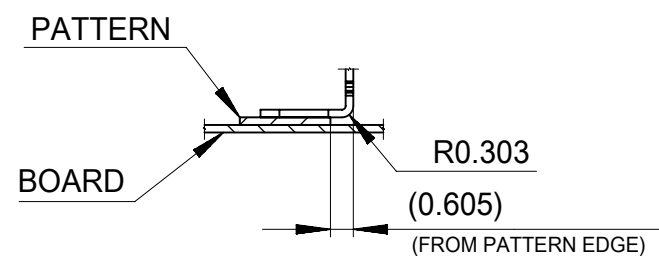


FFC構成推奨仕様
 RECOMMENDED STRUCTURE OF FFC



推奨基板レイアウト(マウント面)

RECOMMENDED P.C. BOARD
 PATTERN DIMENSION (MOUNTING SIDE)
 マスク厚 : 100μm
 マスク開口率 : 100%
 SCREEN THICKNESS : 100μm
 SCREEN OPEN TATIO : 100%



VIEW M
 (DETAIL OF FITTING NAIL
 ON PATTERN)

FPC/FFCについて:
 抜き方向は、導体側から補強板側を推奨致します。
 尚、接着剤の接点部への付着は導通不良の原因になりますので、
 染み出しが無い様お願い致します。
 ABOUT FPC/FFC:
 RECOMMENDED PUNCHER DIRECTION:
 FROM CONDUCTOR SIDE TO STIFFNER SIDE
 PLEASE PUT APPROPRIATE AMOUNT OF ADHESIVE ON ADHEREND
 BECAUSE THERE IS A POSSIBILITY THAT THE EXTRA ADHESIVE
 CAUSES THE DEFECT IN ELECTRICAL CONTINUITY.

GENERAL TOLERANCES (UNLESS SPECIFIED)	
10 UNDER	± 0.2
10 OVER 30 UNDER	± 0.25
30 OVER	± 0.3
ANGULAR	± 3 °
DRAFT WHERE APPLICABLE MUST REMAIN WITHIN DIMENSIONS	

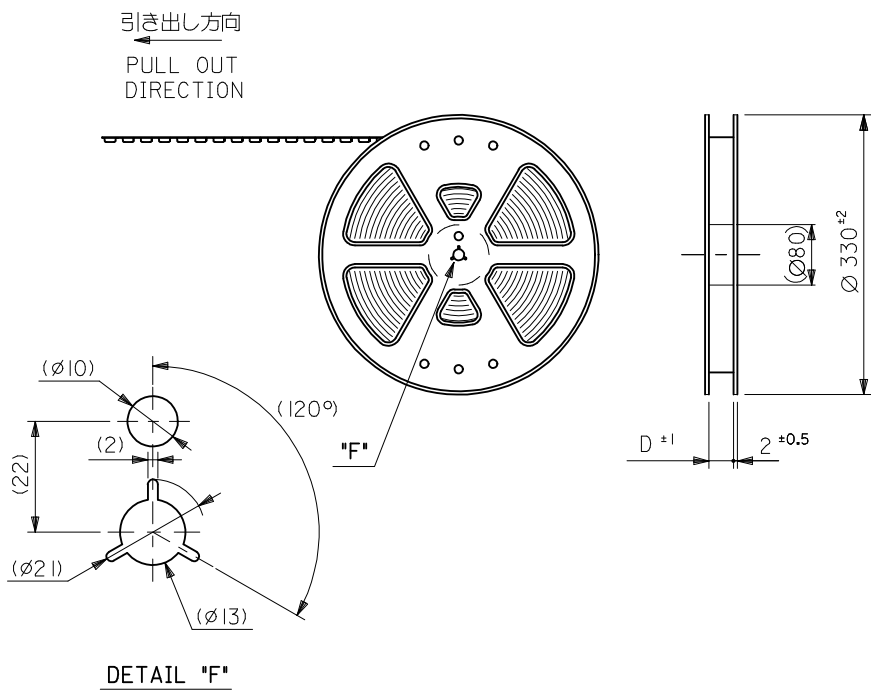
THIS DRAWING CONTAINS INFORMATION THAT IS PROPRIETARY TO MOLEX ELECTRONIC TECHNOLOGIES, LLC AND SHOULD NOT BE USED WITHOUT WRITTEN PERMISSION		CURRENT REV DESC: REVISED		molex	
GENERAL TOLERANCES (UNLESS SPECIFIED)		SCALE 5:1			
10 UNDER ± 0.2		ANGULAR TOL ± 3.0 °		0.5MM FPC CONN ZIF R/A HOUSING ASSY (UPPER CONTACT)	
10 OVER 30 UNDER ± 0.25		4 PLACES ± 0.2		PRODUCT CUSTOMER DRAWING	
30 OVER ± 0.3		3 PLACES ± 0.25		DOCUMENT NUMBER	
ANGULAR ± 3 °		2 PLACES ± 0.3		SD-52745-055	
DRAFT WHERE APPLICABLE MUST REMAIN WITHIN DIMENSIONS		1 PLACE ±		DOC TYPE DOC PART REVISION	
		0 PLACES ±		PSD 001 B	
		THIRD ANGLE PROJECTION		MATERIAL NUMBER	
		DRAWING A3-SIZE		CUSTOMER GENERAL MARKET	
		SERIES 52745		SHEET NUMBER 2 OF 2	

注記 NOTES

- 製品番号 52745-***22の梱包状態はアクチュエータがロックした状態とする。
詳細寸法については図面SD-52745-055を参照下さい。
IN THE PACKAGE,ACTUATOR OF PART NO.52745-***22 SHOULD BE LOCKED
RE DETAILED DIMENSIONS,SEE SD-52745-055
- 梱包数量：1000個/リール
NUMBER OF CONNECTORS:1000PCS/REEL
- リードテープ長さ LEAD TAPE LENGTH

トップテープ リーダー部 175 ±25	トップテープ 未接着部 25 ±5
TOP TAPE LEADER PART	TOP TAPE NON-BONDED PART

引き出し方向 PULL OUT DIRECTION	リーダー部 (空部) LEADER PART (EMPTY) 120 ±20	部品挿入部 COMPONENT SUPPLIER	末端部 (空部) TAIL PART (EMPTY) 150 ±40
---------------------------------	---	--------------------------------	--
- カバーテープの剥離強度については、IEC60286-3に準拠
COVER TAPE PEEL FORCE IS DEFINED BY IEC 60286-3.

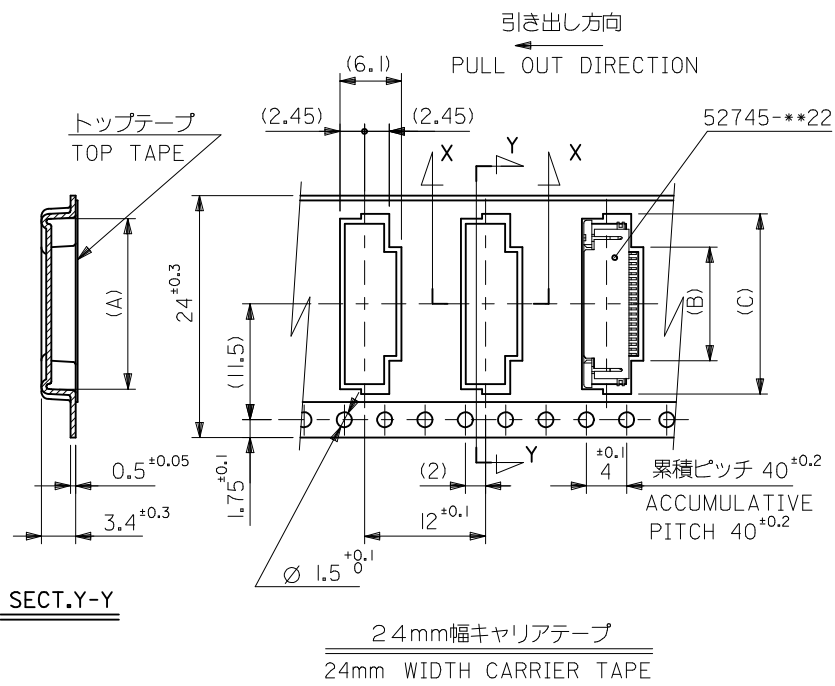


5. 材料
 キャリアテープ：ポリプロピレン (PP)
 トップテープ：PET, PE, PEF
 リール：ポリスチレン (PS) <リサイクル材を含む>

MATERIAL CARRIER TAPE:POLYPROPYLENE
 TOP TAPE:PET,PE,PEF
 REEL:POLYSTYREN(PS)
 <RECYCLE MATERIAL CONTAINED>

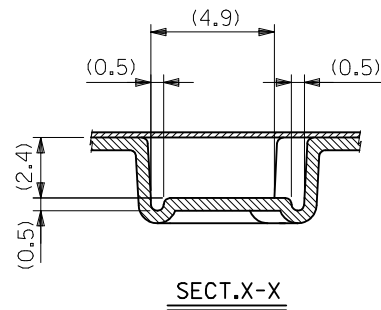
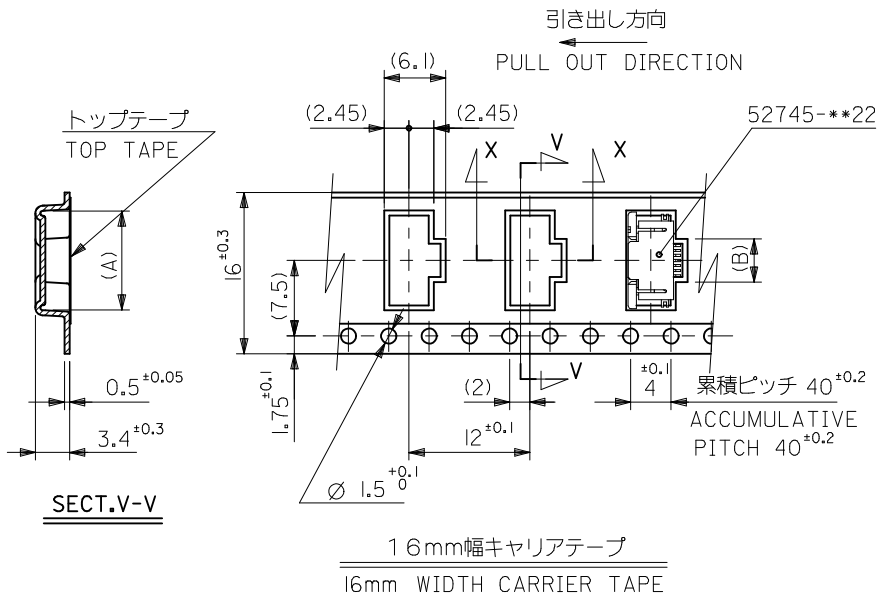
6. ELV及RoHS適合品
 ELV AND RoHS COMPLIANT

RELEASED EC NO.: J2013-1014 DRWN:TMORISHITA 2012/09/05 CHKD:KTAKAHASHI 2012/09/07 APPR:KMORIKAWA 2013/03/15	DESCRIPTION REV: 0	GENERAL TOLERANCES (UNLESS SPECIFIED)		DIMENSION STYLE MM ONLY		SCALE ---	DESIGN UNITS METRIC	THIRD ANGLE PROJECTION		
		10 UNDER	±0.2	DRAWN BY TMORISHITA	DATE 2012/09/05	TITLE EMBOSS TAPE PACKAGED FOR 0.5MM FPC CONN ZIF R/A HOUSING ASSY				
		10 OVER 30 UNDER	±0.25	CHECKED BY KTAKAHASHI	DATE 2012/09/07					
		30 OVER	±0.3	APPROVED BY KMORIKAWA	DATE 2013/03/15					
ANGULAR ±3 °		DRAFT WHERE APPLICABLE MUST REMAIN WITHIN DIMENSIONS		MATERIAL NO. SEE CHART		DOCUMENT NO. SD-52745-056		SHEET NO. 1 OF 3		
SIZE A3 THIS DRAWING CONTAINS INFORMATION THAT IS PROPRIETARY TO MOLEX INCORPORATED AND SHOULD NOT BE USED WITHOUT WRITTEN PERMISSION										



24	25.5	17.4	10.8	16.4	52745-2033	20
		16.9	10.3	15.9	-1933	19
		16.4	9.8	15.4	-1833	18
		15.9	9.3	14.9	-1733	17
		15.4	8.8	14.4	-1633	16
		14.9	8.3	13.9	-1533	15
		14.4	7.8	13.4	-1433	14
		13.9	7.3	12.9	-1333	13
		13.4	6.8	12.4	-1233	12
		12.9	6.3	11.9	-1133	11
		12.4	5.8	11.4	-1033	10
		11.9	5.3	10.9	-0933	9
		11.4	4.8	10.4	-0833	8
		10.9	4.3	9.9	-0733	7
10.4	3.8	9.4	52745-0633	6		
キャリアテープ幅 CARRIER TAPE WIDTH		D	(C)	(B)	(A)	EMBOSSED PACKAGE ORDER No. オ-ダ-番号
CONNECTOR SERIES NO. : 52745-**-**22						

RELEASED EC NO. J2013-1014 DRWN: TMORISHITA 2012/09/05 CHKD: KTAKAHASHI 2012/09/07 APPR: KMORIKAWA 2013/03/15	GENERAL TOLERANCES (UNLESS SPECIFIED)		DIMENSION STYLE MM ONLY		SCALE ---		DESIGN UNITS METRIC		THIRD ANGLE PROJECTION	
	10 UNDER	±0.2	DRAWN BY TMORISHITA		DATE 2012/09/05		TITLE EMBOSS TAPE PACKAGED FOR 0.5MM FPC CONN ZIF R/A HOUSING ASSY			
	10 OVER 30 UNDER	±0.25	CHECKED BY KTAKAHASHI		DATE 2012/09/07					
	30 OVER	±0.3	APPROVED BY KMORIKAWA		DATE 2013/03/15					
	ANGULAR ±3 °		DRAFT WHERE APPLICABLE MUST REMAIN WITHIN DIMENSIONS		MATERIAL NO.		DOCUMENT NO.		SHEET NO.	
				SEE CHART		SD-52745-056		2 OF 3		



16	17.5	2.8	8.4	52745-0433	4
キャリアテープ幅 CARRIER TAPE WIDTH	D	(B)	(A)	EMBOSSED PACKAGE ORDER No. オーダー番号	極数 CIRCUIT

RELEASED EC NO: J2013-1014 DRWN: TMORISHITA 2012/09/05 CHKD: KTAKAHASHI 2012/09/07 APPR: KMORIKAWA 2013/03/15	DESCRIPTION REV: 0	GENERAL TOLERANCES (UNLESS SPECIFIED)		DIMENSION STYLE MM ONLY		SCALE ---		DESIGN UNITS METRIC		THIRD ANGLE PROJECTION		
		10 UNDER	±0.2	DRAWN BY	DATE	TITLE						
		10 OVER 30 UNDER	±0.25	TMORISHITA	2012/09/07	EMBOSS TAPE PACKAGED FOR 0.5MM FPC CONN ZIF R/A HOUSING ASSY						
		30 OVER	±0.3	CHECKED BY	DATE	APPROVED BY		DATE				
ANGULAR ±3 °		KTAKAHASHI	2012/09/07	KMORIKAWA								
DRAFT WHERE APPLICABLE MUST REMAIN WITHIN DIMENSIONS				SEE CHART		SD-52745-056		3 OF 3				
				SIZE A3		THIS DRAWING CONTAINS INFORMATION THAT IS PROPRIETARY TO MOLEX INCORPORATED AND SHOULD NOT BE USED WITHOUT WRITTEN PERMISSION						