

THIS DRAWING IS UNPUBLISHED.

RELEASED FOR PUBLICATION

---

LOC

DIST

REVISIONS

© COPYRIGHT - By -

ALL RIGHTS RESERVED.

G

14

P

LTR

DESCRIPTION

DATE

DWN

APVD

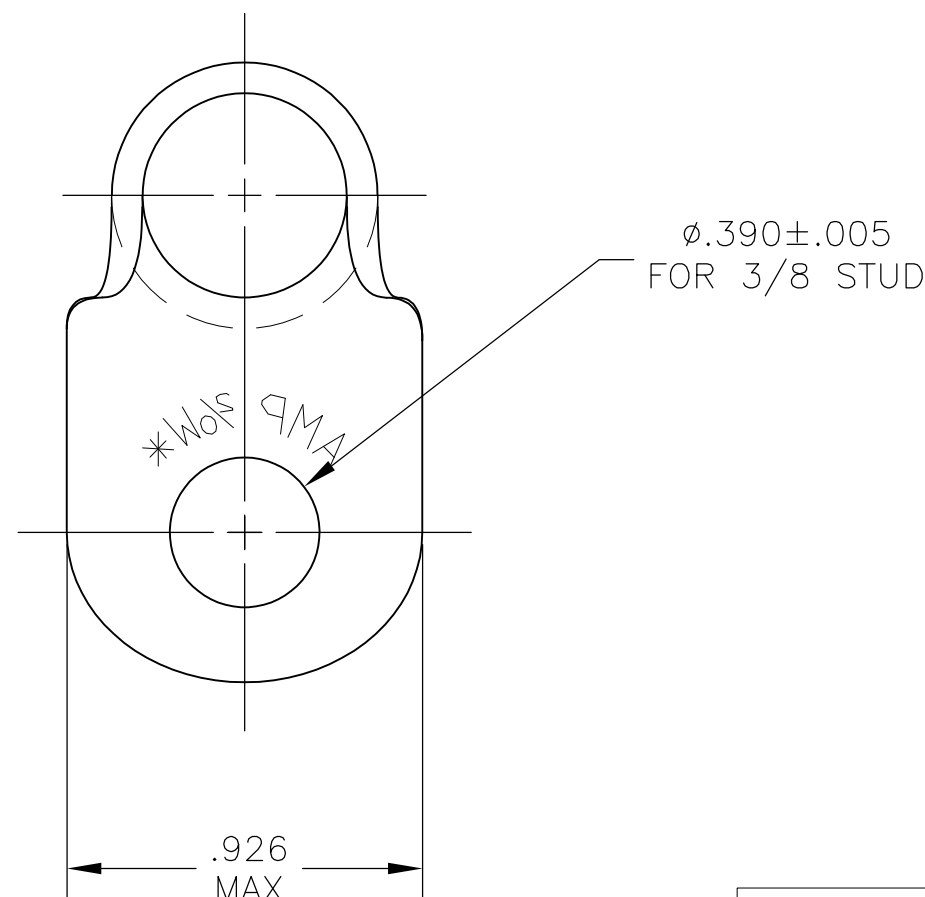
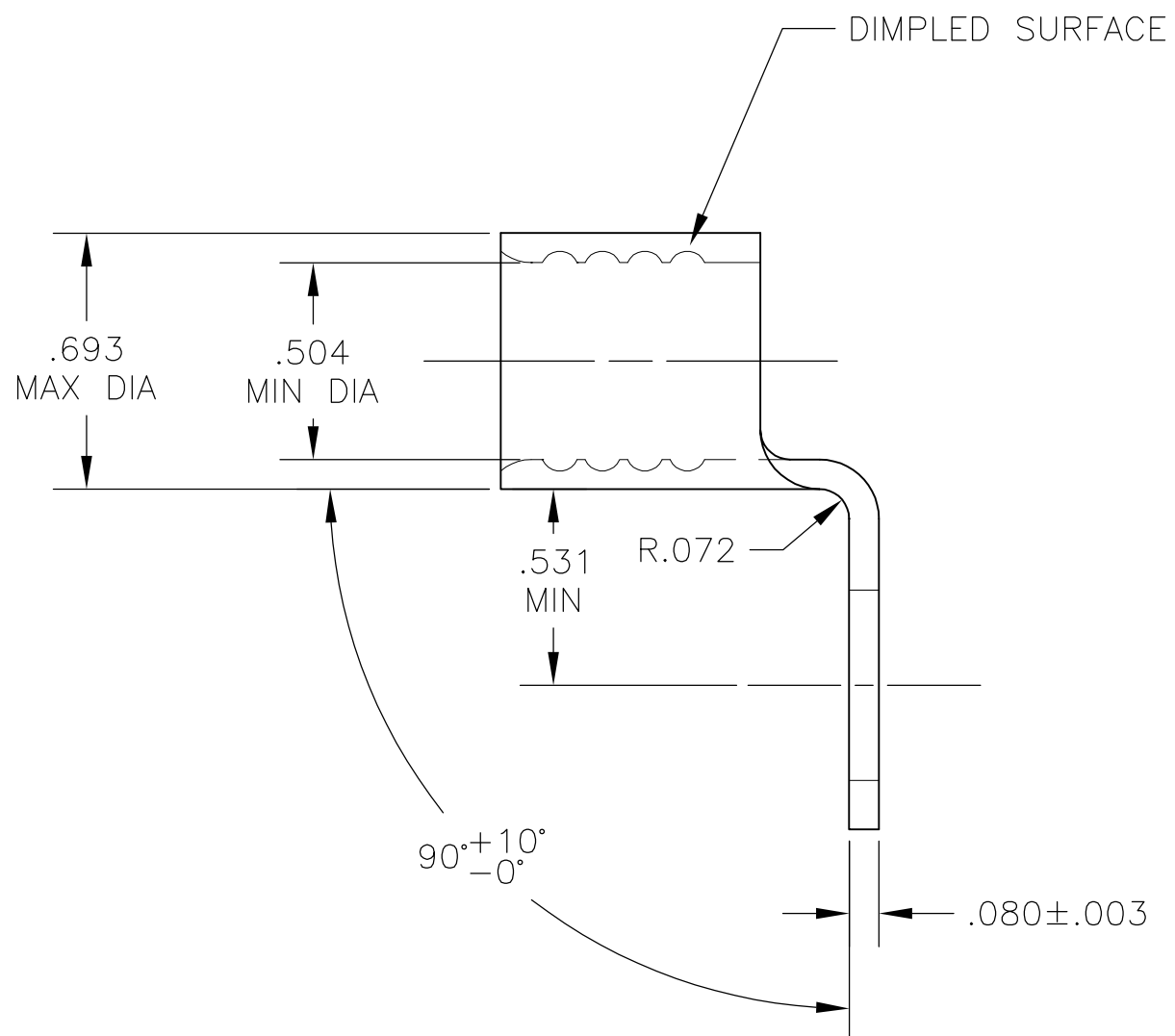
E1

REVISED PER ECO-12-006198


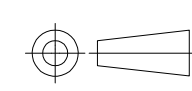
30MAR12

KH

DR



COPPER PER ASTM B-152 ANNEALED TIN PL PER ASTM B-545	322912
MATERIAL & FINISH	PART NO

THIS DRAWING IS A CONTROLLED DOCUMENT.		DWN JR RUTH 20NOV03	 TE Connectivity		
DIMENSIONS: INCHES		CHK MJ SPICER 20NOV03			
		APVD MJ SPICER 20NOV03	NAME WIRE TERMINAL SOLISTRAND, RING TONGUE, BENT 90, WIRE SIZE :2/0		
TOLERANCES UNLESS OTHERWISE SPECIFIED:		PRODUCT SPEC -	RESTRICTED TO -		
0 PLC ± - 1 PLC ± - 2 PLC ± - 3 PLC ± .008 4 PLC ± - ANGLES ± 5°		APPLICATION SPEC -	SIZE A3	CAGE CODE 00779	DRAWING NO C-322912
MATERIAL SEE TABLE	FINISH SEE TABLE	WEIGHT -	CUSTOMER DRAWING		
			SCALE 2:1	SHEET 1 OF 1	REV E1

# Mouser Electronics

Authorized Distributor

Click to View Pricing, Inventory, Delivery & Lifecycle Information:

[TE Connectivity:](#)

[322912](#)