

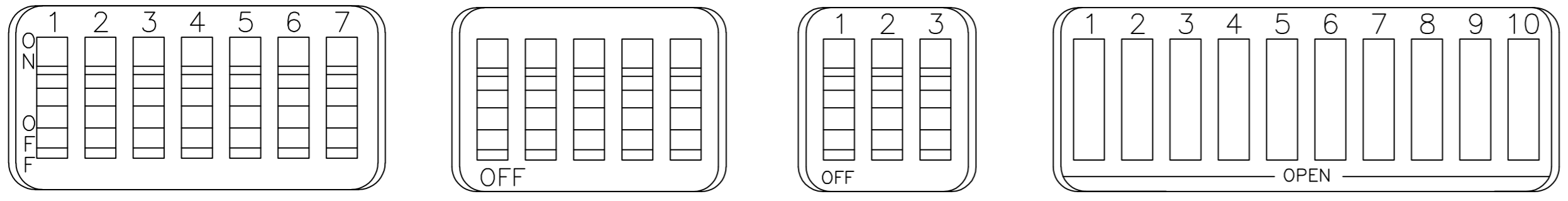
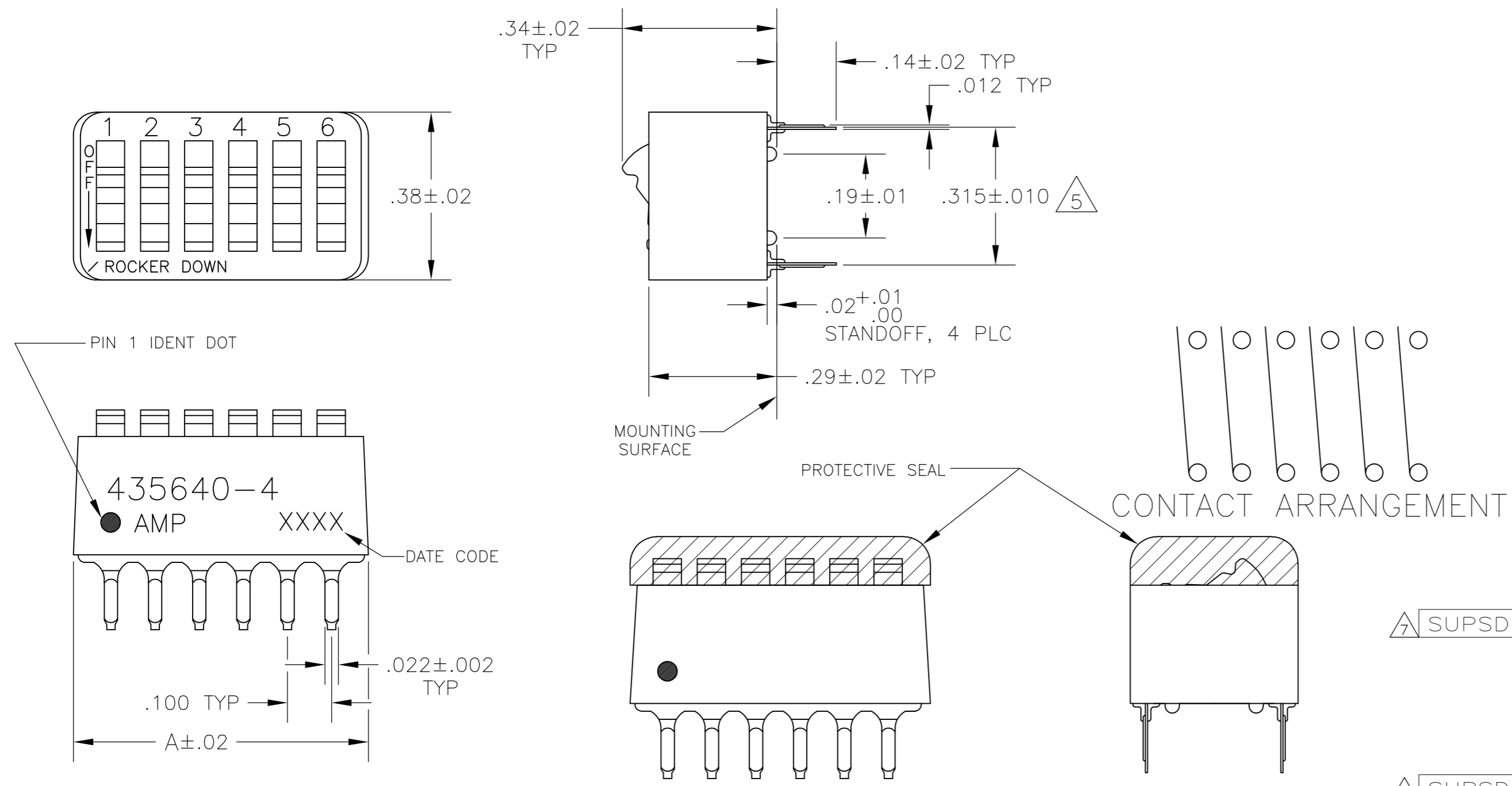
THIS DRAWING IS UNPUBLISHED. RELEASED FOR PUBLICATION
 © COPYRIGHT - By - ALL RIGHTS RESERVED.

LOC		DIST		REVISIONS			
P	LTR	DESCRIPTION	DATE	DWN	APVD		
AD	00	AM3	REVISED PER ECO-11-004587	11MAR11	RK	HMR	

- FOR ADDITIONAL SPECIFICATIONS SEE AMP PRODUCT SPEC 108-7532.
- SWITCH SHOWN IN OPEN POSITION.
- ALL CHARACTERS AND ROCKERS ARE WHITE, HOUSING IS BLUE.
- STAMPING WILL VARY ON 2 AND 3 POSITION SIDES DUE TO SPACE RESTRICTIONS.

- △5 .315 DIMENSION APPLIES AT TERMINAL TIPS. TERMINALS ARE .300-.000 AT MOUNTING SURFACE.
- △6 STRIPPABLE TRANSPARENT SEAL, SEE FIG 1.

△	OBSELETE	FIG				
△	OBSELETE	FIG 6		1.08	10	6-435640-1
				.58	5	6-435640-0
△	OBSELETE	FIG 7		.48	4	5-435640-9
				.88	8	5-435640-8
				.98	9	5-435640-7
△	OBSELETE	FIG 5	△6	.68	6	5-435640-6
				.58	5	5-435640-5
△	SUPSD BY 5-5435640-4			.48	4	5-435640-4
		FIG 2	△6	.88	8	5-435640-3
		FIG 5	△6	.88	8	5-435640-2
				1.08	10	5-435640-1
		FIG 3	△6	.88	8	5-435640-0
△	SUPSD BY 4-5435640-8			.88	8	4-435640-9
				.58	5	4-435640-8
		NONE		1.08	10	4-435640-7
				1.28	12	4-435640-3
				1.08	10	4-435640-1
		AS SHOWN	△6	.98	9	4-435640-0
				.88	8	3-435640-9
				.78	7	3-435640-8
				.68	6	3-435640-7
				.58	5	3-435640-6
				.48	4	3-435640-5
				.38	3	3-435640-4
				.28	2	3-435640-3
	SUPSD BY 3-435668-3	FIG 4		1.28	12	3-435640-2
	SUPSD BY 2-435668-6 3-1589670-4			.38	3	3-435640-0
		AS SHOWN		.28	2	2-435640-9
		FIG 4		.28	2	2-435640-9
				.78	7	2-435640-2
	OBSELETE	FIG 2		1.08	10	435640-7
				.98	9	435640-6
				.88	8	435640-5
		AS SHOWN		.68	6	435640-4
				.58	5	435640-3
				.48	4	435640-2
				.78	7	435640-1
		TOP MARKING				
		PROTECTIVE SEAL	A		NO OF POSN	PART NO.



SUPSD BY 3-435668-3
 SUPSD BY 2-435668-6
 3-1589670-4

435640-4 SHOWN

△7 OBSELETE PARTS: OBSELETE CIS STREAMLINING PER D.RENAUD/D.SINISI

THIS DRAWING IS A CONTROLLED DOCUMENT.		DWN R.TALLEY 15NOV89	TE Connectivity
DIMENSIONS: INCHES		CHK R.L.MILLER 06MARGO	
TOLERANCES UNLESS OTHERWISE SPECIFIED:		APVD H.LEITER 06MARGO	NAME SWITCH ASSY, DIP, TYPE C, 7100 SERIES, SPST, STANDARD
0 PLC ± -		PRODUCT SPEC	
1 PLC ± -		APPLICATION SPEC	SIZE A2
2 PLC ± -		WEIGHT -	CAGE CODE 00779
3 PLC ± .005		CUSTOMER DRAWING	DRAWING NO C=435640
4 PLC ± -		SCALE 4:1	SHEET 1 OF 1
ANGLES ± -		REV AM3	
FINISH CONTACTS: PLATED .000030 MIN GOLD IN CONTACT AREA OVER .000050 MIN NICKEL			

Mouser Electronics

Authorized Distributor

Click to View Pricing, Inventory, Delivery & Lifecycle Information:

[TE Connectivity:](#)

[3-435640-9](#)