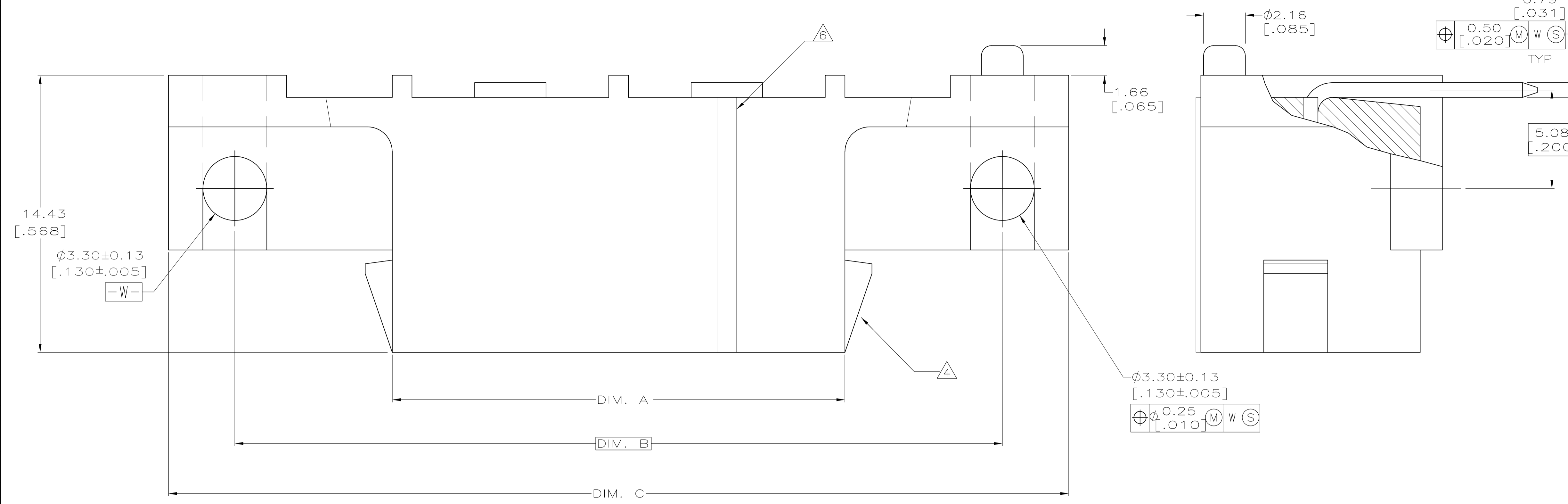
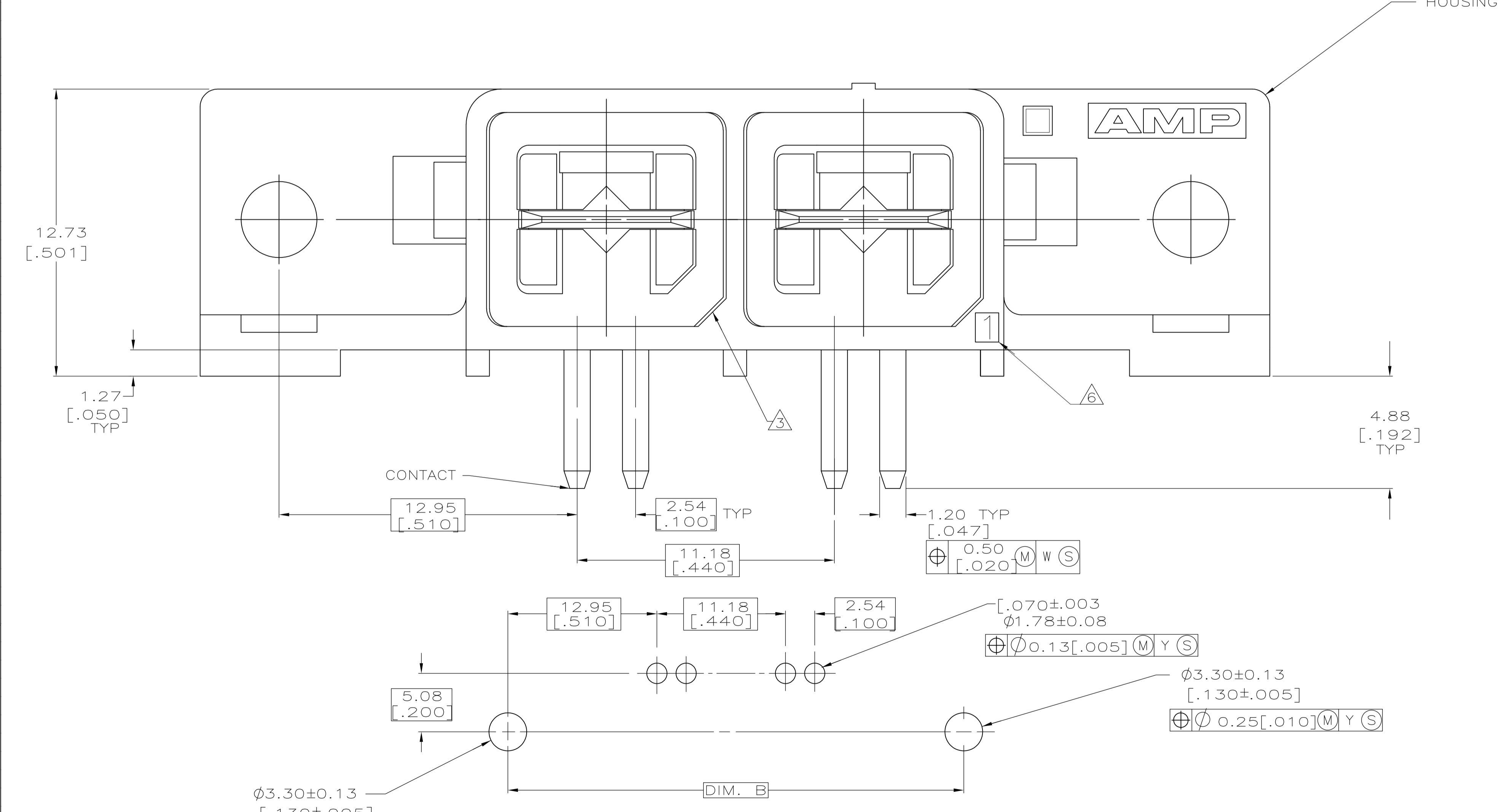


LOC		DIST		REVISIONS			
FT	IN	REV	DATE	BY	CHK	APP	REV
60		D1	11MAR11	RK	HMR		
REVISED PER ECO-11-004820							



- 1 MATERIAL: HOUSING—POLYPHTHALAMINE, BLACK, 94V-0.
CONTACT— 2.54 μm [.000100] MINIMUM TIN PLATED COPPER.
- 2 ALL DIMENSIONS ARE MAXIMUM UNLESS OTHERWISE SPECIFIED.
- 3 POLARIZATION FEATURE TO MATING HOUSING.
- 4 POSITIVE LATCHING OF RECEPTACLE ASSEMBLY TO PLUG HOUSING.
- 5 THESE ASSEMBLIES ARE UL RECOGNIZED AND CSA CERTIFIED.
- 6 POSITION 1 INDICATOR.



SUGGESTED PC BOARD HOLE LAYOUT
SCALE 4:1

POSITION	DIM. C	DIM. B	DIM. A	PART NO
8	113.67 [4.475]	106.68 [4.200]	90.56 [3.565]	556882-8
7	102.49 [4.035]	95.50 [3.760]	79.38 [3.125]	-7
6	91.32 [3.595]	84.33 [3.320]	68.20 [2.685]	-6
5	80.14 [3.155]	73.15 [2.880]	57.03 [2.245]	-5
4	68.97 [2.715]	61.98 [2.440]	45.85 [1.805]	-4
3	57.79 [2.275]	50.80 [2.000]	34.68 [1.365]	-3
2	46.61 [1.835]	39.62 [1.560]	23.50 [.925]	556882-2

THIS DRAWING IS A CONTROLLED DOCUMENT.

DIMENSIONS: INCHES[mm]	TOLERANCES UNLESS OTHERWISE SPECIFIED:	DIN 5-30-91	STRAUSSER
0 PLC ± -	1 PLC ± -	8-23-91	FOX
2 PLC ± -	3 PLC ± -	8-26-91	MILLER
4 PLC ± -	ANGLES ± -		

MATERIAL: FINISH:

APPROVED: M. MILLER
PRODUCT SPEC: 108-1349
APPLICATION SPEC: 114-6044

RECEPTACLE ASSEMBLY, RIGHT ANGLE, WTB, AMPINERGY™

SIZE: A1
WEIGHT: -
SCALE: 8:1
SHEET: 1 OF 1
REV: D1

Mouser Electronics

Authorized Distributor

Click to View Pricing, Inventory, Delivery & Lifecycle Information:

[TE Connectivity:](#)

[556882-6](#)