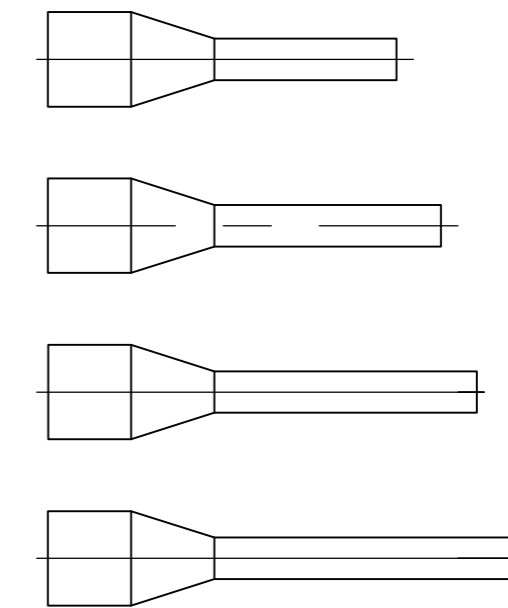
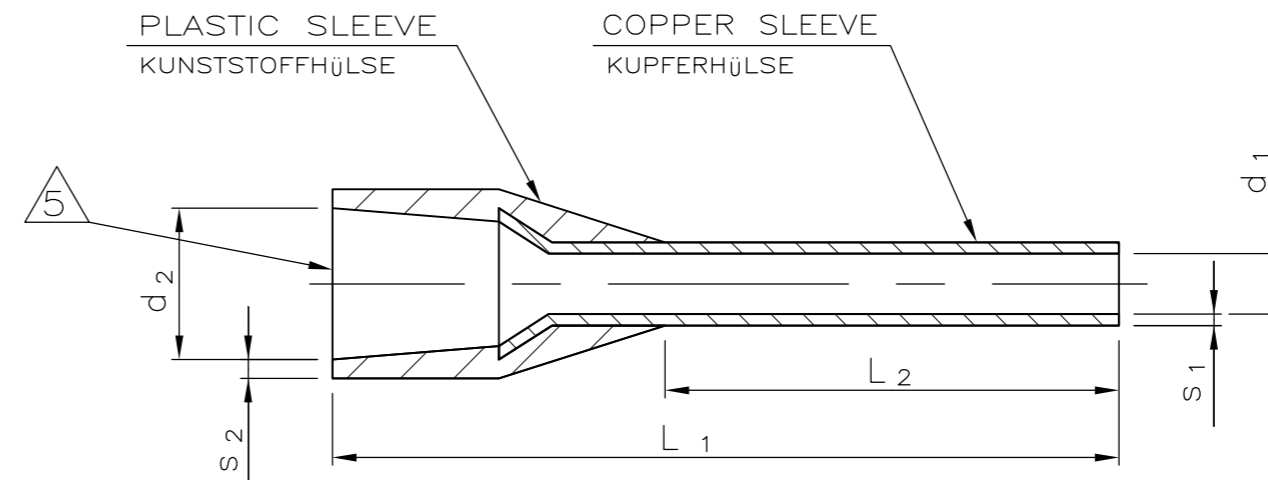


THIS DRAWING IS UNPUBLISHED.
 VERTRÄULICHE UNVERÖFFENTLICHTE ZEICHNUNG
 © COPYRIGHT - By -
 RELEASED FOR PUBLICATION
 FREI FÜR VERÖFFENTLICHUNG
 ALL RIGHTS RESERVED.
 ALLE RECHTE VORBEHALTEN

LOC	DIST	REVISIONS ÄNDERUNGEN			DATE	DWN	APVD
		P	LTR	DESCRIPTION BESCHREIBUNG			
AI	-						
PROJECT NO.: E92-52625		C3		REVISED PER ECR-09-018681	20AUG09	VKH	RRP
		C4		REVISED PER ECO-10-002990	28JAN10	KK	HMR
		C5		ECR-10-026307	20JAN11	KK	HMR

ORDER NO. BESTELL-NR.	CROSS-SECTION QUERSCHNITT		STRIP LENGTH ABISOLIER-LÄNGE /mm	TYPE AUSFÜHRUNG	COLOUR FARBE	L ₁ /mm	L ₂ /mm	d ₁ /mm	s ₁ /mm	d ₂ /mm	s ₂ /mm	PACKING UNIT VERPACKUNGS-EINHEIT PIECES PER BAG STÜCK PRO BEUTEL	
	mm ²	AWG											
966 066-1	0.25	23	8	NORMAL	LIGHT BLUE	10.0 ±1.5	6.0 ±0.4	0.75 +0.14	0.15 ±0.05	1.8 ±0.2	0.25 ±0.1	500	
966 066-2	0.25	23	10	LONG	LIGHT BLUE	12.0 ±1.5	8.0 ±0.4	0.75 +0.14	0.15 ±0.05	1.8 ±0.2	0.25 ±0.1	500	
966 066-3	0.34	22	8	NORMAL	TURQUOISE	10.0 ±1.5	6.0 ±0.4	0.8 +0.14	0.15 ±0.05	2.0 ±0.2	0.25 ±0.1	500	
966 066-4	0.34	22	10	LONG	TURQUOISE	12.0 ±1.5	8.0 ±0.4	0.8 +0.14	0.15 ±0.05	2.0 ±0.2	0.25 ±0.1	500	
966 066-5	0.14	26	8	NORMAL	GREY	10.0 ±1.5	6.0 ±0.4	0.7 +0.14	0.15 ±0.05	1.6 ±0.2	0.25 ±0.1	500	
966 066-7	0.50	20	10	NORMAL	ORANGE	14.0 ±1.5	8.0 ±0.4	1.0 +0.14	0.15 ±0.05	2.6 ±0.2	0.25 ±0.1	500	
966 066-9	0.75	18	10	NORMAL	WHITE	14.0 ±1.5	8.0 ±0.4	1.2 +0.14	0.15 ±0.05	2.8 ±0.2	0.25 ±0.1	500	OBSELETE
1-966 066-0	1.00	17	10	NORMAL	YELLOW	14.0 ±1.5	8.0 ±0.4	1.4 +0.14	0.15 ±0.05	3.0 ±0.2	0.25 ±0.1	500	OBSELETE
1-966 066-1	1.50	16	12	SEMILONG	RED	16.0 ±1.5	10.0 ±0.4	1.7 +0.25	0.15 ±0.05	3.5 ±0.2	0.25 ±0.1	500	
1-966 066-5	6.00	10	14	NORMAL	BLACK	20.0 ±1.5	12.0 ±0.6	3.5 +0.30	0.20 ±0.05	6.3 ±0.4	0.30 ±0.1	100	
1-966 066-6	0.14	26	8	LONG	GREY	12.0 ±1.5	8.0 ±0.4	0.7 +0.14	0.15 ±0.05	1.6 ±0.2	0.25 ±0.1	500	OBSELETE
1-966 066-7	0.50	20	8	SHORT	ORANGE	12.0 ±1.5	6.0 ±0.4	1.0 +0.14	0.15 ±0.05	2.6 ±0.2	0.25 ±0.1	500	OBSELETE
1-966 066-8	0.50	20	12	SEMILONG	ORANGE	16.0 ±1.5	10.0 ±0.4	1.0 +0.14	0.15 ±0.05	2.6 ±0.2	0.25 ±0.1	500	OBSELETE
1-966 066-9	0.75	18	8	SHORT	WHITE	12.0 ±1.5	6.0 ±0.4	1.2 +0.14	0.15 ±0.05	2.8 ±0.2	0.25 ±0.1	500	
2-966 066-0	0.75	18	12	SEMILONG	WHITE	16.0 ±1.5	10.0 ±0.4	1.2 +0.14	0.15 ±0.05	2.8 ±0.2	0.25 ±0.1	500	
2-966 066-1	0.75	18	14	LONG	WHITE	18.0 ±1.5	12.0 ±0.6	1.2 +0.14	0.15 ±0.05	2.8 ±0.2	0.25 ±0.1	500	
2-966 066-2	1.00	17	8	SHORT	YELLOW	12.0 ±1.5	6.0 ±0.4	1.4 +0.14	0.15 ±0.05	3.0 ±0.2	0.25 ±0.1	500	
2-966 066-3	1.00	17	12	SEMILONG	YELLOW	16.0 ±1.5	10.0 ±0.4	1.4 +0.14	0.15 ±0.05	3.0 ±0.2	0.25 ±0.1	500	OBSELETE
2-966 066-4	1.00	17	14	LONG	YELLOW	18.0 ±1.5	12.0 ±0.6	1.4 +0.14	0.15 ±0.05	3.0 ±0.2	0.25 ±0.1	500	
2-966 066-5	1.50	16	10	NORMAL	RED	14.0 ±1.5	8.0 ±0.4	1.7 +0.25	0.15 ±0.05	3.5 ±0.2	0.25 ±0.1	500	
2-966 066-6	1.50	16	20	LONG	RED	24.0 ±2.0	18.0 ±0.6	1.7 +0.25	0.15 ±0.05	3.5 ±0.2	0.25 ±0.1	500	OBSELETE
2-966 066-7	2.50	14	10	NORMAL	BLUE	14.0 ±1.5	8.0 ±0.4	2.2 +0.25	0.15 ±0.05	4.2 ±0.2	0.25 ±0.1	500	
2-966 066-8	2.50	14	14	SEMILONG	BLUE	18.0 ±1.5	12.0 ±0.6	2.2 +0.25	0.15 ±0.05	4.2 ±0.2	0.25 ±0.1	500	OBSELETE
2-966 066-9	2.50	14	20	LONG	BLUE	24.0 ±2.0	18.0 ±0.6	2.2 +0.25	0.15 ±0.05	4.2 ±0.2	0.25 ±0.1	500	OBSELETE
3-966 066-0	4.00	11	11	NORMAL	GREY	17.0 ±1.5	10.0 ±0.4	2.8 +0.25	0.20 ±0.05	4.8 ±0.4	0.30 ±0.1	500	
3-966 066-1	4.00	11	14	SEMILONG	GREY	20.0 ±1.5	12.0 ±0.6	2.8 +0.25	0.20 ±0.05	4.8 ±0.4	0.30 ±0.1	500	
3-966 066-2	4.00	11	20	LONG	GREY	26.0 ±2.0	18.0 ±0.6	2.8 +0.25	0.20 ±0.05	4.8 ±0.4	0.30 ±0.1	500	OBSELETE
3-966 066-3	6.00	10	20	LONG	BLACK	26.0 ±2.0	18.0 ±0.6	3.5 +0.30	0.20 ±0.05	6.3 ±0.4	0.30 ±0.1	100	
3-966 066-4	10.00	7	15	NORMAL	IVORY	22.0 ±2.0	12.0 ±0.6	4.5 +0.30	0.20 ±0.05	7.6 ±0.4	0.40 ±0.15	100	OBSELETE
3-966 066-5	10.00	7	21	LONG	IVORY	28.0 ±2.0	18.0 ±0.6	4.5 +0.30	0.20 ±0.05	7.6 ±0.4	0.40 ±0.15	100	OBSELETE
3-966 066-6	16.00	6	15	NORMAL	GREEN	24.0 ±2.0	12.0 ±0.6	5.8 +0.30	0.20 ±0.05	8.8 ±0.4	0.40 ±0.15	100	OBSELETE
3-966 066-7	16.00	6	21	LONG	GREEN	28.0 ±2.0	18.0 ±0.6	5.8 +0.30	0.20 ±0.05	8.8 ±0.4	0.40 ±0.15	100	
3-966 066-8	25.00	3	19	NORMAL	BROWN	30.0 ±2.0	16.0 ±0.6	7.3 +0.40	0.20 ±0.05	11.2 ±0.5	0.40 ±0.15	50	
3-966 066-9	25.00	3	25	LONG	BROWN	36.0 ±2.0	22.0 ±0.6	7.3 +0.40	0.20 ±0.05	11.2 ±0.5	0.40 ±0.15	50	
4-966 066-0	35.00	2	19	NORMAL	BEIGE	30.0 ±2.0	16.0 ±0.6	8.3 +0.40	0.20 ±0.05	12.7 ±0.5	0.40 ±0.15	50	
4-966 066-1	35.00	2	28	LONG	BEIGE	39.0 ±2.0	25.0 ±0.6	8.3 +0.40	0.20 ±0.05	12.7 ±0.5	0.40 ±0.15	50	OBSELETE
4-966 066-2	50.00	1	25	NORMAL	OLIVE	36.0 ±2.0	20.0 ±0.6	10.3 +0.40	0.30 ±0.05	15.0 ±1.0	0.50 ±0.15	50	
4-966 066-3	50.00	1	30	LONG	OLIVE	40.0 ±2.0	25.0 ±0.6	10.3 +0.40	0.30 ±0.05	15.0 ±1.0	0.50 ±0.15	50	



- 1 THE AWG CROSS-SECTION CAN DIFFER SLIGHTLY TO THE DIN-STANDARD CROSS-SECTION VALUES.
- 2 RECOMMENDED STRIP LENGTH
- 3 TUBULAR END-SLEEVES PACKED INTO PLASTIC BAG
- 4 COLOUR TYPE 2: COLOURS PER WEIDM ÜLLER STANDARD
- 5 MAX.INSULATION DIA. OF WIRE: d₂ MIN.-0.1
- 6 USE HAND TOOL 539660-1
- 7 OBSOLETE PARTS: OBSOLETE CIS STREAMLINING PER D.RENAUD/D.SINISI

- 1 DER AWG-QUERSCHNITT KANN VON DEN DIN-NORM-QUERSCHNITTSWERTEN GERINGFÜGIG ABWEICHEN.
- 2 EMPFOHLENE ABISOLIERLÄNGE
- 3 ADERENDHÜLSEN IN PLASTIKBEUTEL VERPACKT
- 4 FARBREIHE 2: FARBEN NACH WEIDM ÜLLER STANDARD
- 5 MAX.ISOLATIONS-Ø DER LEITUNG:d₂ MIN.-0.1
- 6. BENUTZEN SIE HANDWERKZEUG 539660-1

THIS DRAWING IS A CONTROLLED DOCUMENT. DIESE ZEICHNUNG IST EIN KONTROLLIERTES DOKUMENT.		DWN R.SCHMIDT 04-DEC-92	TE Connectivity	
DIMENSIONS: MASSENHEITEN mm		CHK W.BÖCK 13-JAN-93	TUBULAR END-SLEEVE WITH PLASTIC SLEEVE, COLOUR TYPE 2, NOT PER DIN ADERENDHÜLSE MIT KUNSTSTOFFHÜLSE FARBREIHE 2, NICHT NACH DIN	
TOLERANCES UNLESS OTHERWISE SPECIFIED: ALLGEMEINTOLERANZEN		APVD G.FELDMEIER 29-NOV-00	RESTRICTED TO NUR FÜR	
MATERIAL PP/E-Cu		FINISH/OBERFLÄCHE/FARBE FINISH/OBERFL.: S _n COLOUR: SEE TABLE FARBE: SIEHE TABELLE	WEIGHT GEWICHT -	SCALE MASSSTAB -
CUSTOMER DRAWING /KUNDENZEICHNUNG		SIZE A2	CAGE CODE 00779	DRAWING NO. ZEICHNUNGS-NR. C=966066
		SHEET 1 OF 1		REV C5

Mouser Electronics

Authorized Distributor

Click to View Pricing, Inventory, Delivery & Lifecycle Information:

[TE Connectivity:](#)

[966066-3](#)