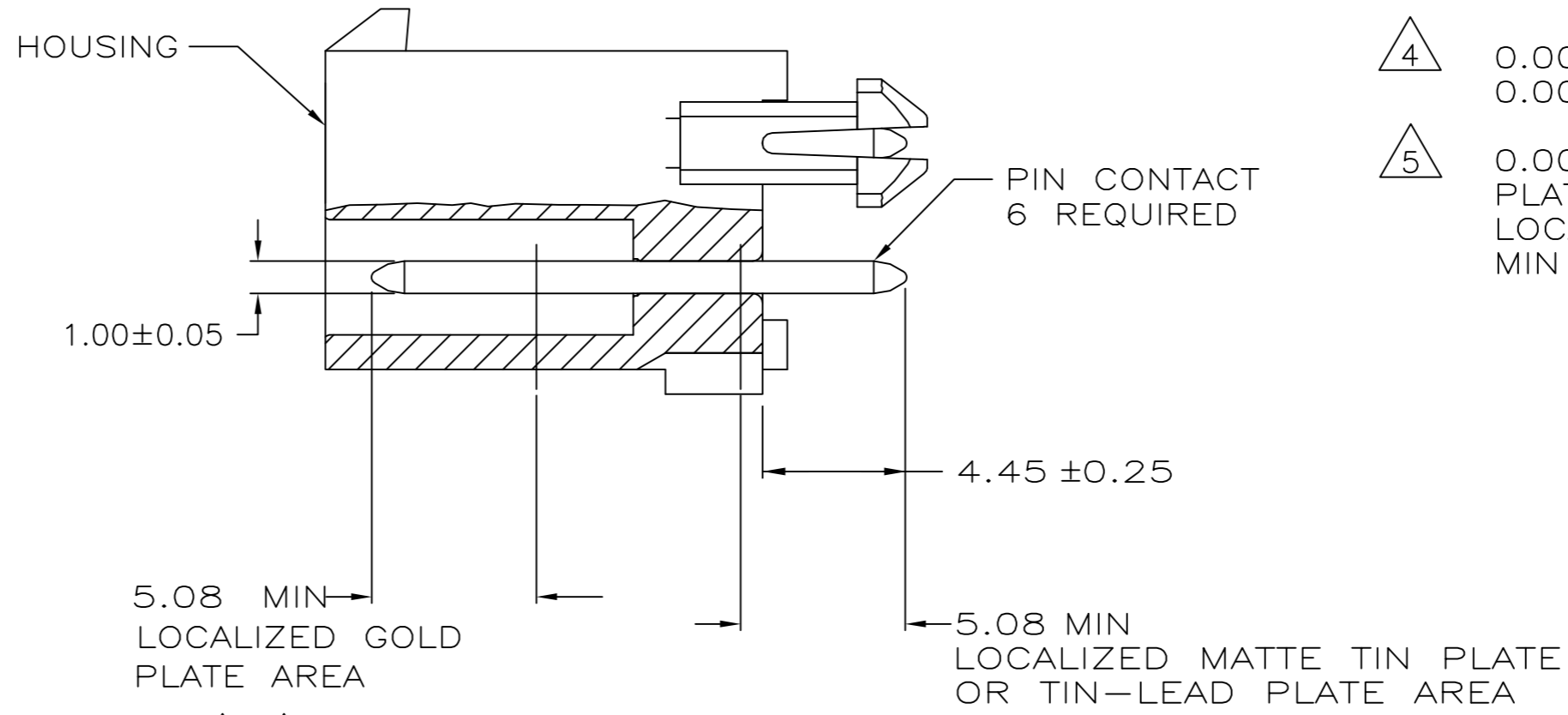
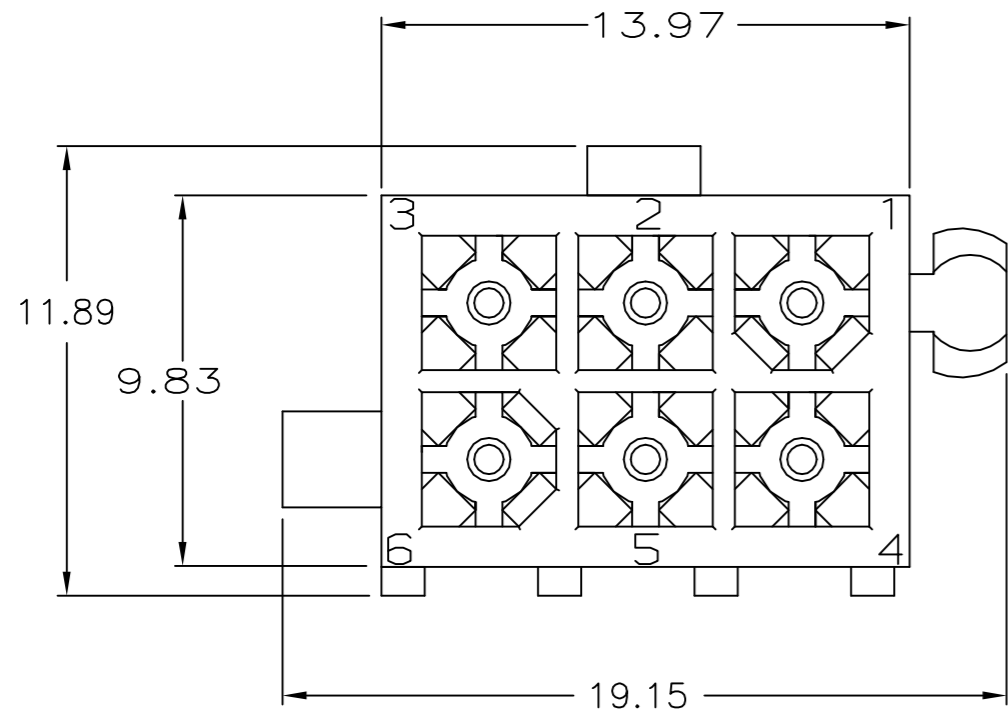
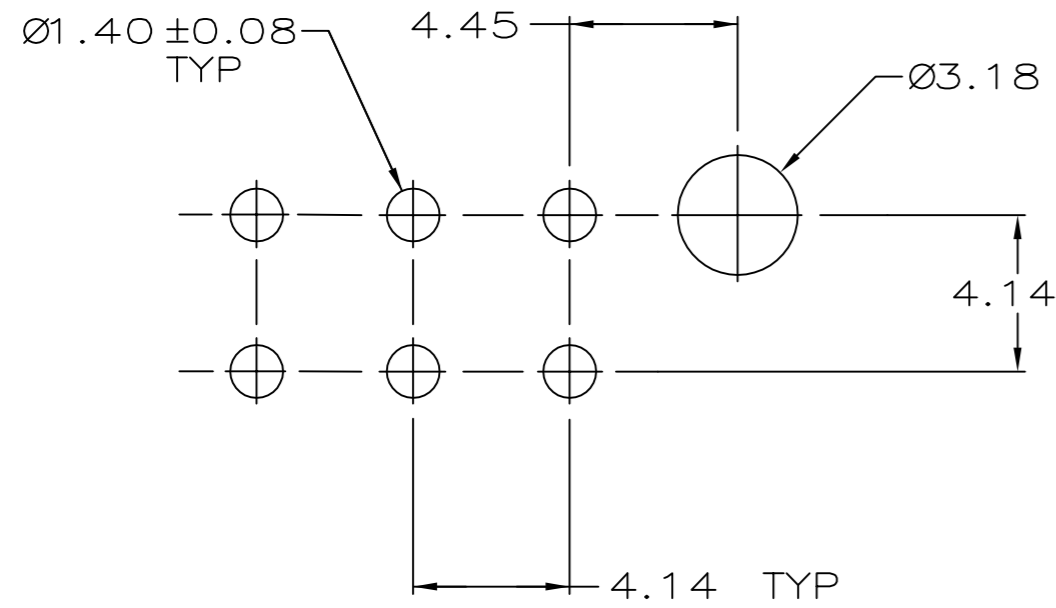


THIS DRAWING IS UNPUBLISHED. RELEASED FOR PUBLICATION
 © COPYRIGHT - By - ALL RIGHTS RESERVED.

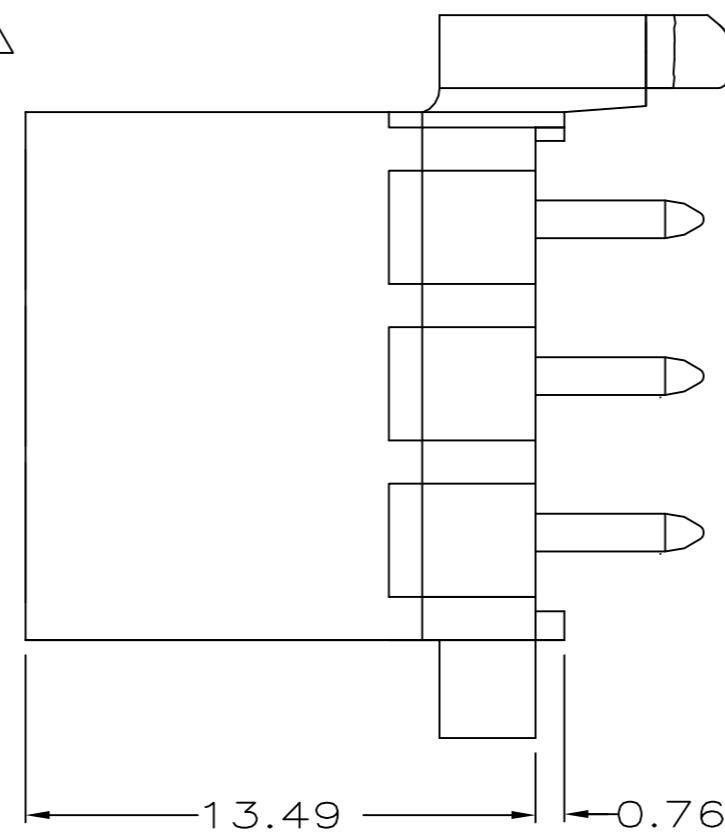
LOC		DIST		REVISIONS			
P	LTR	DESCRIPTION		DATE	DWN	APVD	
CM	0	M1	REVISED PER ECR-16-010553	07AUG2017	BW	SG	



- 1 PINS TO COMPLY WITH AMP SOLDERABILITY SPEC. 109-11-3.
- △2 0.00381 MIN MATTE TIN LEAD PLATE OVER 0.00127 MIN NICKEL.
- △3 0.00076 MIN GOLD PLATE IN THE LOCALIZED PLATE AREA, 0.00381 MATTE TIN LEAD IN THE LOCALIZED PLATE AREA, BOTH OVER 0.00127 MIN NICKEL.
- △4 0.00381 MIN MATTE TIN PLATE OVER 0.00127 MIN NICKEL.
- △5 0.00076 MIN GOLD PLATE IN THE LOCALIZED PLATE AREA, 0.00381 MATTE TIN IN THE LOCALIZED PLATE AREA, BOTH OVER 0.00127 MIN NICKEL.



RECOMMENDED LAYOUT FOR 1.57 THICK BOARD
 TOLERANCES NON-ACCUMULATIVE



BRASS, TIN	△4	NYLON, UL94V-0	BLACK	5-770178-0
BRASS, GOLD	△5	NYLON, UL94V-0	WHITE	1-770178-1
BRASS, TIN	△4	NYLON, UL94V-0	WHITE	1-770178-0
BRASS, GOLD	△3	NYLON, UL94V-0	WHITE	770178-2
BRASS, TIN-LEAD	△2	NYLON, UL94V-0	WHITE	770178-1
MATERIAL	FINISH	MATERIAL	COLOR	PART NO.

DIMENSIONS:		TOLERANCES UNLESS OTHERWISE SPECIFIED:		PIN		HOUSING	
mm		0 PLC ± -		DWN S CARPENTER 08JUN05	TE Connectivity		
		1 PLC ± -		CHK R JONES 28JUL2003	NAME		
		2 PLC ± 0.13		APVD R JONES 28JUL2003	HEADER ASSEMBLY, 6 CKT, MINI UNIVERSAL, MATE-N-LOK		
		3 PLC ± -		PRODUCT SPEC	SIZE A2	CAGE CODE 00779	DRAWING NO C=770178
		4 PLC ± -		APPLICATION SPEC	SCALE 5:1	SHEET 1 of 1	REV M1
		ANGLES ± -		WEIGHT -	CUSTOMER DRAWING		
		FINISH					

Mouser Electronics

Authorized Distributor

Click to View Pricing, Inventory, Delivery & Lifecycle Information:

[TE Connectivity:](#)

[1-770178-1](#)