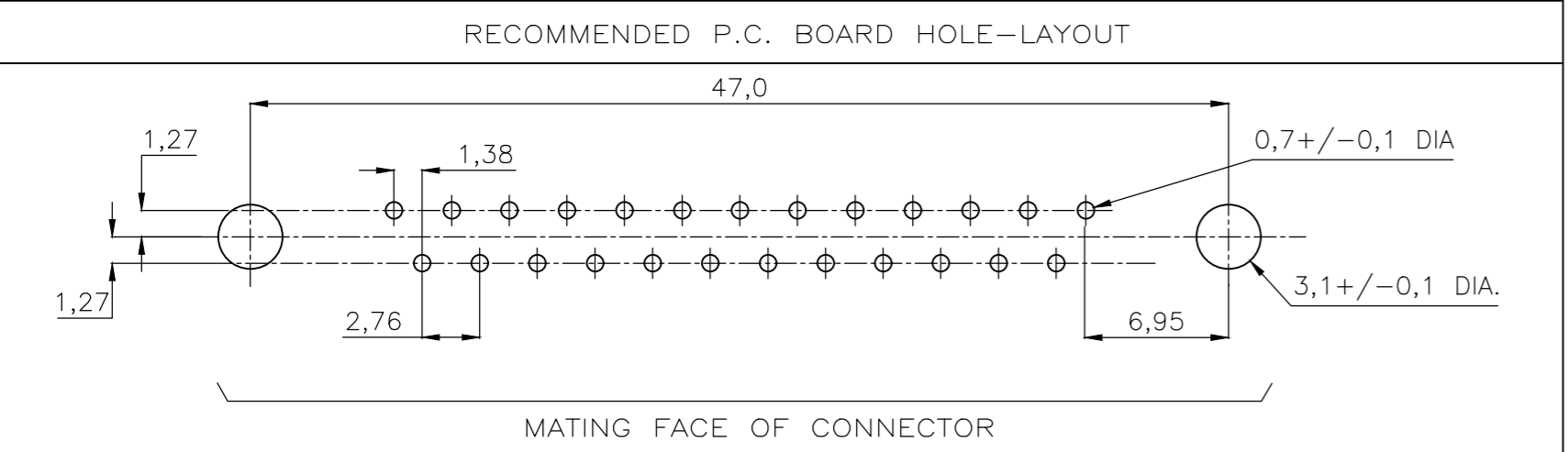
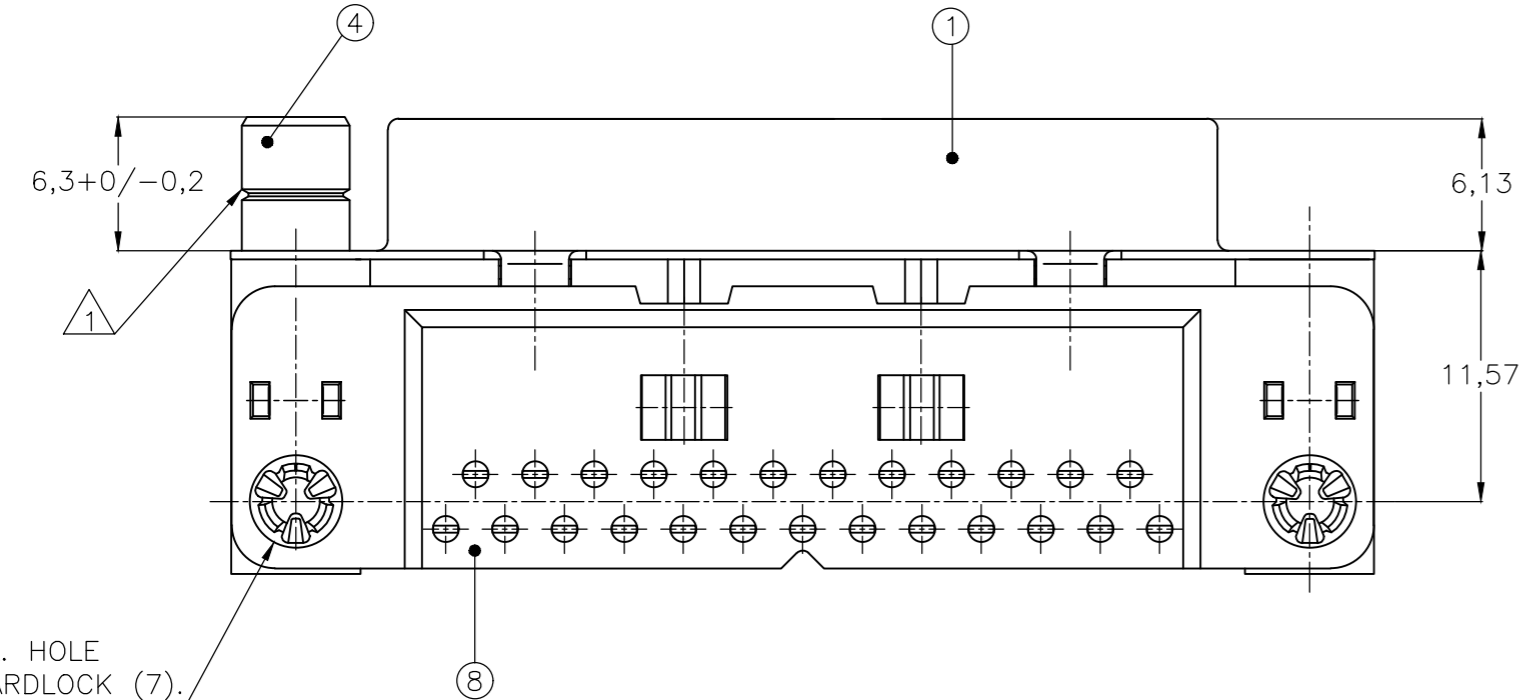
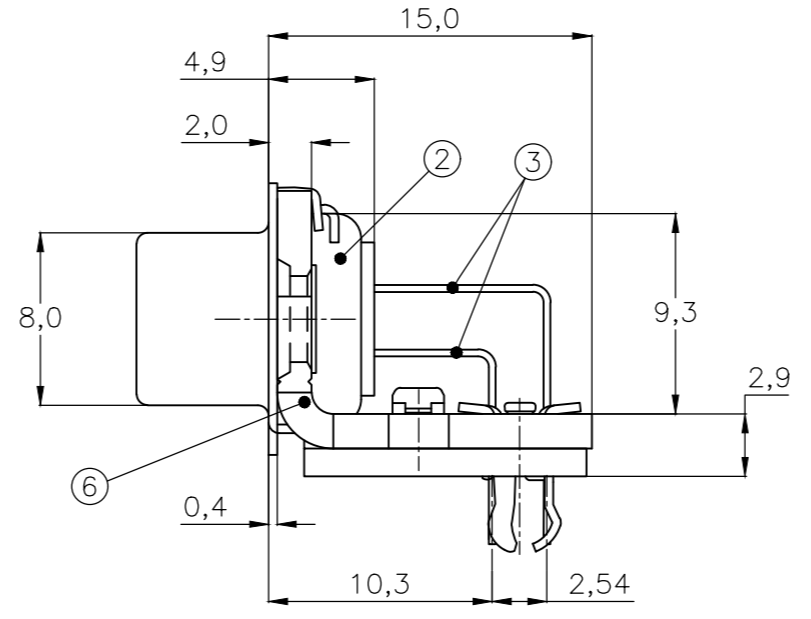
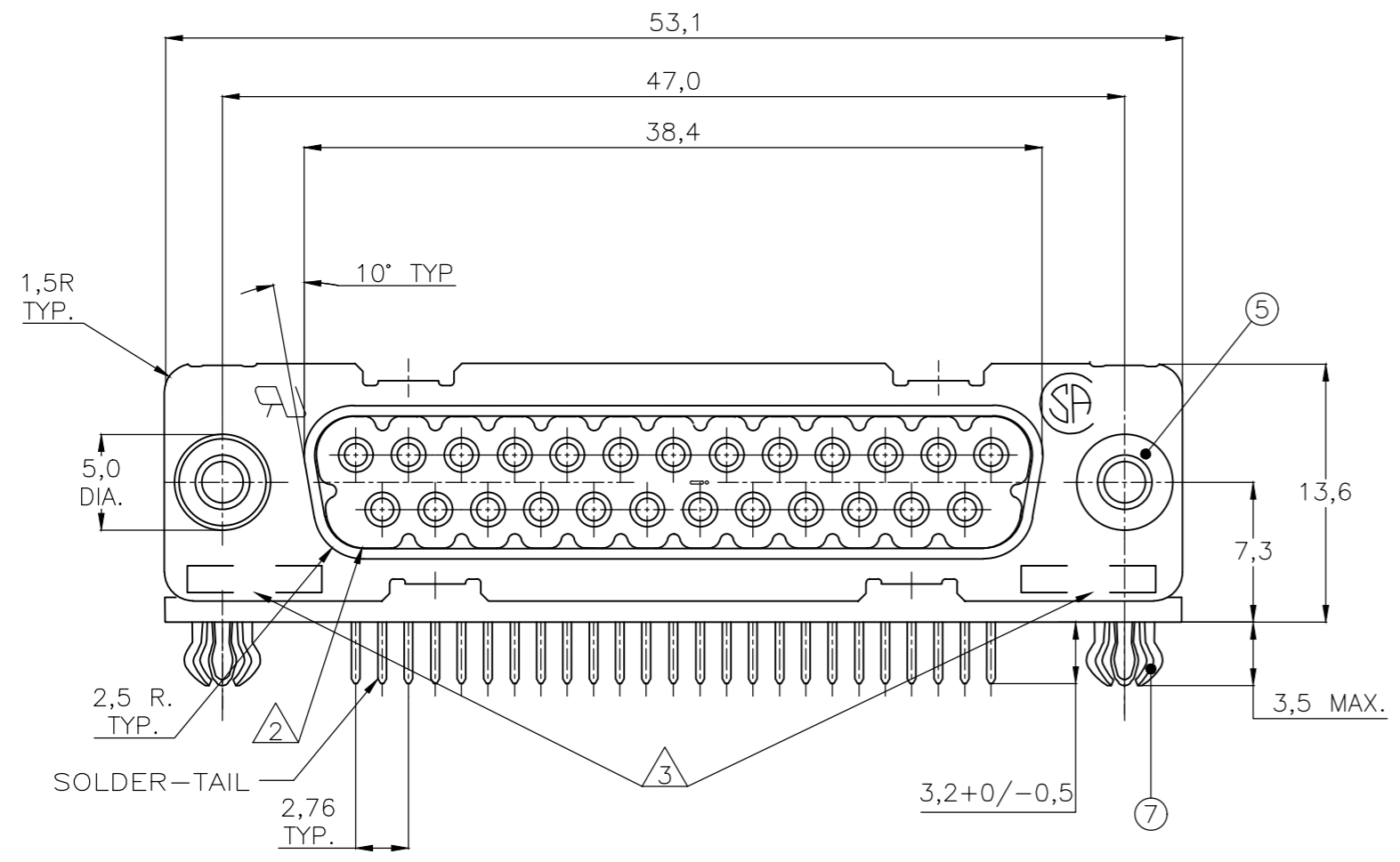


THIS DRAWING IS UNPUBLISHED. RELEASED FOR PUBLICATION  
 © COPYRIGHT - By - ALL RIGHTS RESERVED.

LOC	DIST	REVISIONS			
P	LTR	DESCRIPTION	DATE	DWN	APVD
GP	00				
N		REVISED PER ECO-19-002381	06MAR2019	AP	DG



ACCESSORIES	ITEM NO.	DESCRIPTION OF ACCESSORY	REVISIONS											
			1	2	3	4	5	6	7	8	9			
	5	BUSHING WITH THROUGH-HOLE 3,1 DIA.												
	5	BUSHING WITH INNER THREAD 4-40 UNC		2										
	5	BUSHING WITH INNER THREAD M3			2									
	4	FEMALE SCREWLOCK WITH 4-40 UNC				2								
	4	FEMALE SCREWLOCK WITH M3					2							
	7	BOARDLOCK	2	2	2	2	2							

- ① GROOVE INDICATES VERSION WITH 4-40 UNC INNER THREAD; WITHOUT GROOVE INDICATES VERSION WITH M3 INNER THREAD.
- ② CAVITY IDENTIFICATION AT FRONT SIDE ONLY.
- ③ PART NUMBER AND DATE CODE.
- 4. AIR AND CREEPAGE DISTANCES ACCORDING TO DIN 41652.
- 5. CONTACT FINISH: GOLD FLASH OVER PALLADIUM-NICKEL PLATE OR GOLD PLATE ON THE MATING SURFACES, TIN PLATE ON THE SOLDER-TAILS, NICKEL UNDERPLATE ON THE ENTIRE CONTACT. MATING SURFACE MEETS PERFORMANCE LEVEL 2 PER DIN 41652.

- ITEM NO./MATERIAL :
- ① SHELL : BRIGHT TIN PLATED STEEL
  - ② HOUSING : GLASS FILLED POLYESTER, COLOR : BLACK
  - ③ CONTACTS : PHOSPHOR BRONZE (PLATING : SEE NOTES ABOVE)
  - ④ FEMALE SCREWLOCK : TIN PLATED STEEL (INNER THREAD 4-40 UNC OR M3)
  - ⑤ BUSHING : TIN PLATED STEEL (INNER THREAD 4-40 UNC OR M3 OR 3,1 DIA THROUGH-HOLE)
  - ⑥ BRACKET : TIN PLATED STEEL
  - ⑦ BOARDLOCK : TIN PLATED PHOSPHOR BRONZE
  - ⑧ POST ALIGNMENT PLATE : GLASS FILLED NYLON. COLOR : BLACK

THIS DRAWING IS A CONTROLLED DOCUMENT. DIMENSIONING AND TOLERANCING PER ASME Y14.5M-2009		DWN D. KESSLER 14JAN99	TE Connectivity	
DIMENSIONS: mm		CHK W. SOOMERS	NAME	
TOLERANCES UNLESS OTHERWISE SPECIFIED: 0 PLC ± - 1 PLC ± 0,3 2 PLC ± 0,15 3 PLC ± - 4 PLC ± - ANGLES ± 2°		APVD -	PRODUCT SPEC -	
MATERIAL		APVD -	APPLICATION SPEC -	
FINISH		WEIGHT -	SIZE A2	
		CUSTOMER DRAWING		RESTRICTED TO -
		SCALE NTS		SHEET 1 of 1
				REV N