

Spindle Operated Potentiometers

Type RW Series

Type RW Series



This high power wire wound potentiometer is a recent addition to the Tyco range. The RW series offers a range of shaft styles, 1 and 3 Watt power ratings, low terminal resistance and excellent linearity. For a rugged high power control potentiometer at a very attractive price - the RW Series will satisfy your requirements.

Key Features

- Wirewound Elements
- Proven Reliability
- Excellent Linearity
- 3W Rating at 40°C in Wirewound
- Robust Construction
- Range of Shaft Styles
- Custom Designs Possible

Characteristics - Electrical

	RW1	RW3
Element Technology:	Wirewound	
Resistance Range:	10R to 100K (Linear)	10R to 25K (Linear)
Resistance Values:	1, 2 & 5 in each decade	
Selection Tolerance:	10% Standard, ± 5% By Request	
Linearity:	2% maximum	
Rated Dissipation at 40°C:	1W	3W
Maximum Working Voltage:	250V DC	500 V DC
Electrical Rotation:	285° nominal	275° nominal
Terminal Resistance:	0.2R or 0.02% whichever is greater	
Noise (E.N.R.):	100R maximum	
Insulation Resistance:	> 5 Gig Ohms	
Voltage Proof:	630V AC peak	

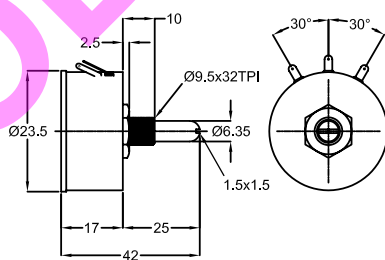
Characteristics - Mechanical

Starting Torque:	<70 mNm	< 85 mNm
Mechanical Rotation:	295° nominal	285° nominal
End Stop Torque:	500 mNm minimum	800 mNm minimum
Standard Shaft Lengths:	25mm - Others By Special Request	

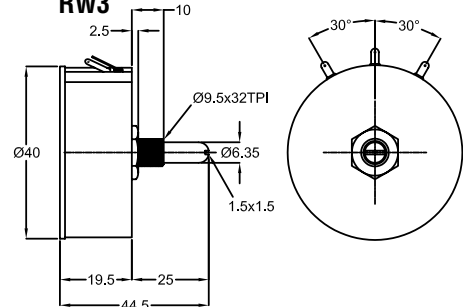
Characteristics - Environmental

Operating Temperature:	-40°C to +70°C
Limits of Resistance Change:	3% (after 1000 hrs)
Temperature Coefficient:	100ppm/°C
Bump Severity:	390 m/s ² , 4000 bumps
Vibration Severity:	10 - 500 Hz, 98m/s ²
Climatic Category:	40/070/21
Mechanical Endurance:	2000 operations
Sealing:	Fully enclosed

Dimensions RW1



RW3



How to Order

RW	3	102	K	A
Common Part	Power Dissipation	Resistance Value	Tolerance	Shaft Style
RW - Wirewound Potentiometer	1 - 1 Watt at 70°C 3 - 3 Watts at 70°C	The first two digits are significant figures of resistance value and the third denotes the number of zeros following. e.g. 100R: 101 1K: 102 10K: 103 100K: 104	J - ±5% (special) K - ±10% (standard)	A - 6.35 x 25mm Plain B - 6.35 x 68mm Full Flat C - 6.35 x 19mm Slotted D - 6.35 x 38mm Slotted E - 6.35 x 16mm Slotted

Mouser Electronics

Authorized Distributor

Click to View Pricing, Inventory, Delivery & Lifecycle Information:

[TE Connectivity:](#)

[RW1501KE](#)