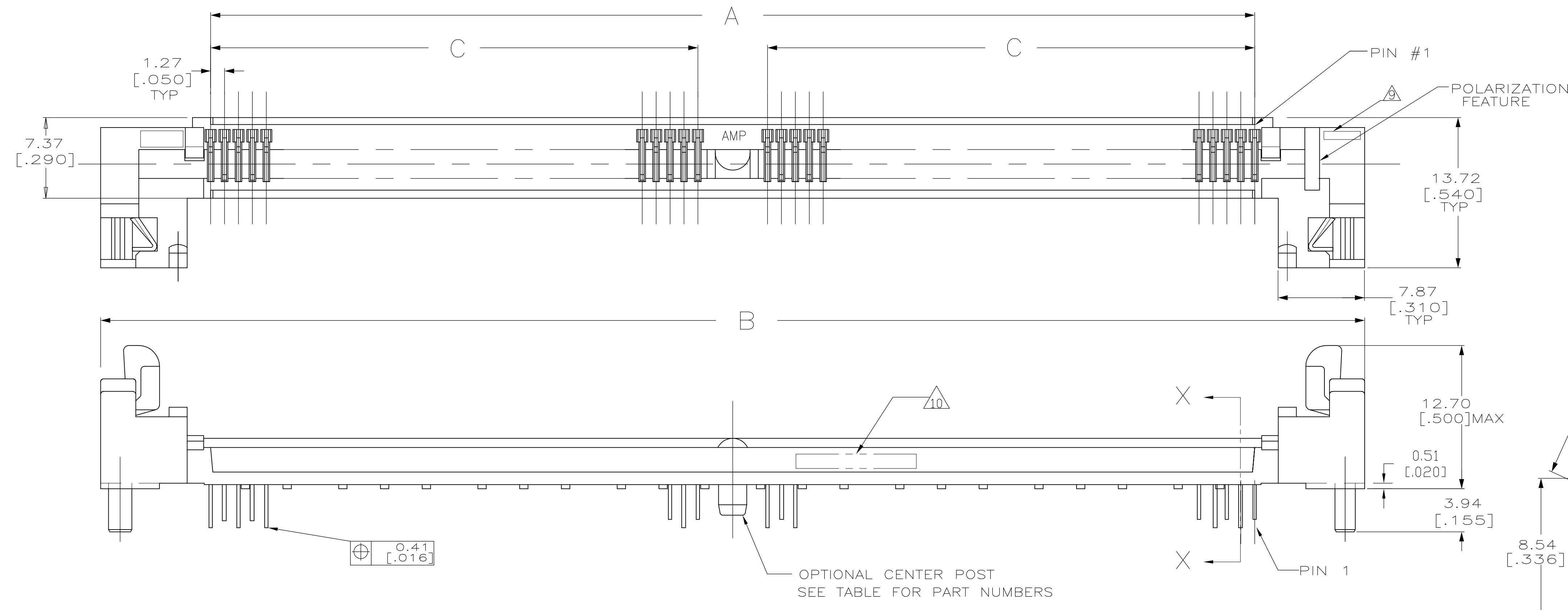
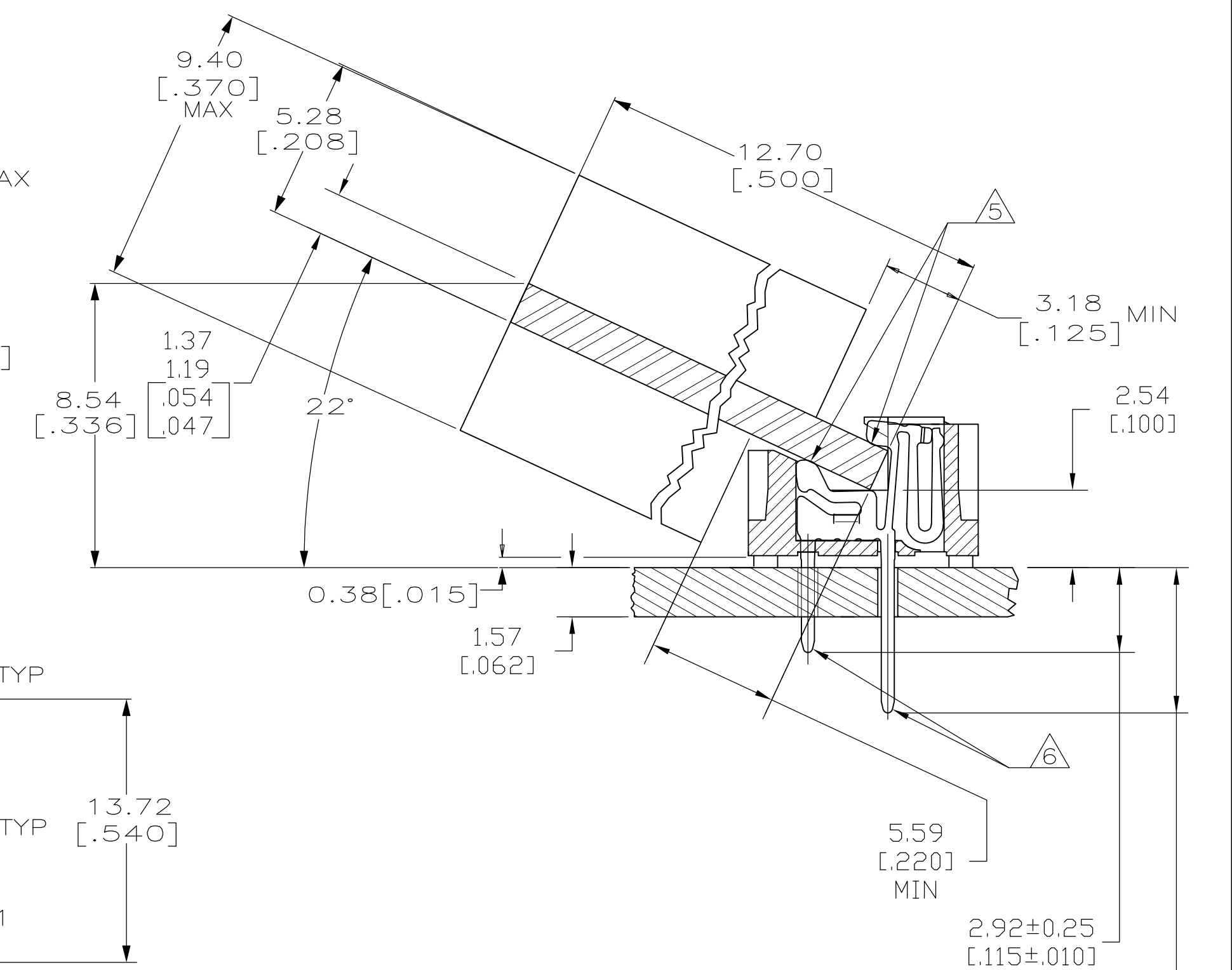


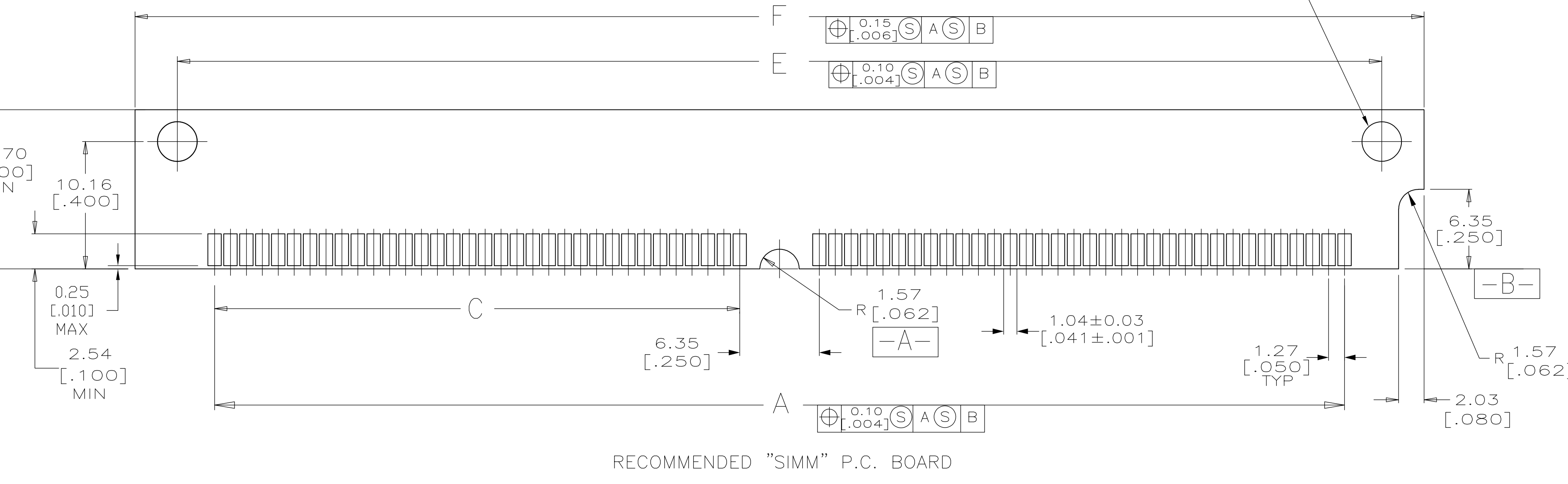
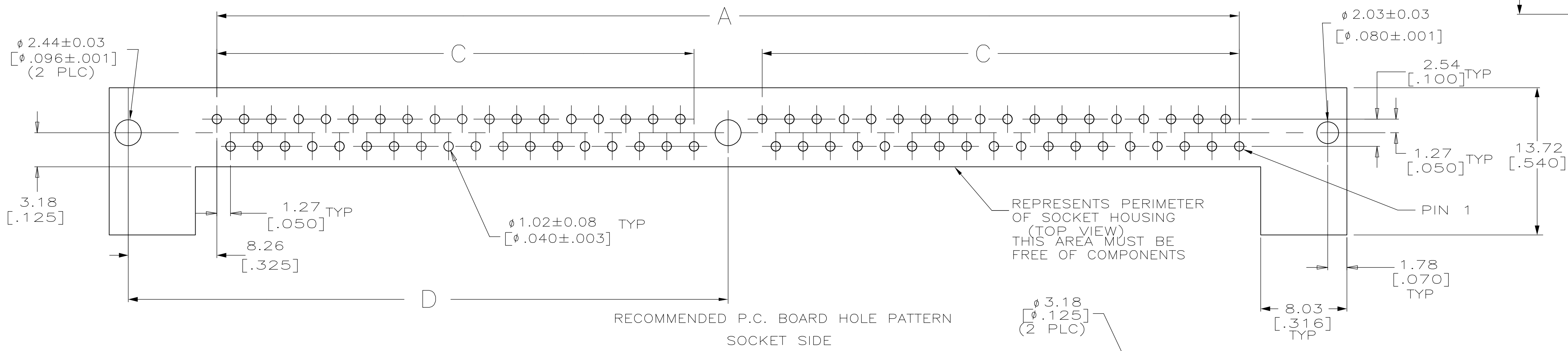
LOC		DIST		REVISIONS			
P	LTR	DESCRIPTION	DATE	DN	APVD		
B1		REVISED PER ECO-11-005033	29MAR11	RK	HMR		



- △ HOUSING-MATERIAL : LIQUID-CRYSTAL-POLYMER.
- △ CONTACT-MATERIAL : PHOS. BRONZE.
- △ LATCH-MATERIAL : STAINLESS STEEL.
- △ CONTACT-PLATE 0.00127 [.000050] MIN NICKEL ALL OVER.
- △ CONTACT-PLATE 0.00076[.000030] MIN. GOLD AT CONTACT PTS.
- △ CONTACT SOLDER TAILS-PLATE 0.00508[.000200] MIN MATTE TIN.
- 7. IN ADDITION TO THOSE RECOMMENDED "SMM" P.C. BOARD DIMENSIONS AND TOLERANCES SHOWN, ALL JEDEC SPECIFICATIONS APPLY AS SHOWN ON MO-116, ISSUE A.
- 8. RECOMMENDED MATING S.I.M.M. TAB METALLURGY:
BASE METAL-COPPER. PLATING TO BE 0.00076[.000030] MIN GOLD OVER 0.00127[.000050] MIN NICKEL.
- △ 'S' IDENTIFIER LOCATED APPROXIMATELY AS SHOWN.
- △ DATE CODE INFORMATION (YEAR WEEK), LOCATED APPROXIMATELY AS SHOWN ON OPPOSITE SIDE ONLY.



SECTION X-X
SCALE 5:1
(BOARD SHOWN FOR REF ONLY)



WITH CENTER POST	F	E	D	C	B	A	NO. OF POS	PART NO
107.95	101.19	55.88	44.45	115.32	95.25	72	5822097-3	
[4.250]	[3.984]	[2.200]	[1.750]	[4.540]	[3.750]			

THIS DRAWING IS A CONTROLLED DOCUMENT.		DIN B MCMMASTER 06JAN04		STE TE Connectivity	
DIMENSIONS: mm [INCHES]		TOLERANCES UNLESS OTHERWISE SPECIFIED:		NAME	
0 PLC	± -	0 PLC	± -	CONNECTOR, MICRO-EDGE, .050, LP, GOLD PL, W/METAL LATCH	
1 PLC	± -	1 PLC	± -	APPLICATION SPEC	
2 PLC	± -	2 PLC	± -	MATERIAL	
3 PLC	± 0.13[.005]	3 PLC	± -	FINISH	
4 PLC	± -	4 PLC	± -	WEIGHT	
ANGLES	± -	ANGLES	± -	SIZE	
MATERIAL		FINISH		SCALE	
1 2 3		3 4 5 6		A1 00779 C=5822097	
CUSTOMER DRAWING		SCALE 4:1		SHEET 1 OF 1	
				REV B1	

Mouser Electronics

Authorized Distributor

Click to View Pricing, Inventory, Delivery & Lifecycle Information:

[TE Connectivity:](#)

[5822097-3](#)