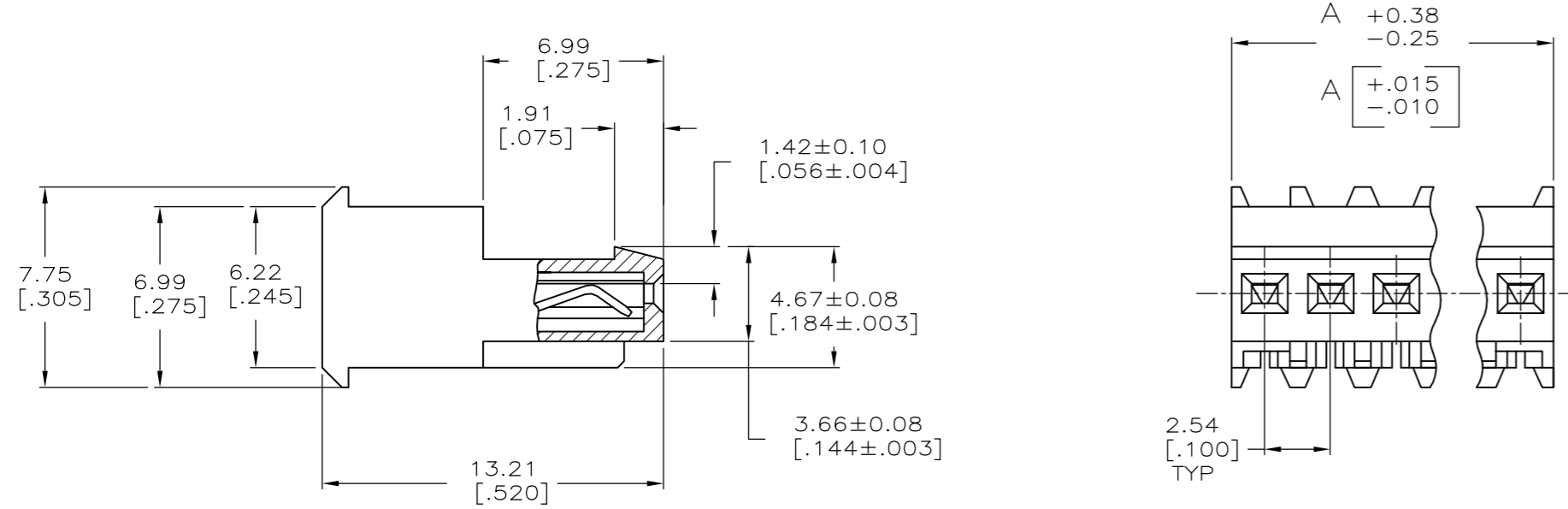
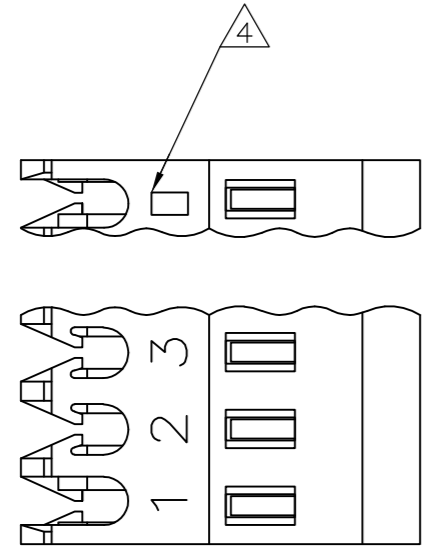


THIS DRAWING IS UNPUBLISHED. RELEASED FOR PUBLICATION
 © COPYRIGHT - By - TE CONNECTIVITY ALL RIGHTS RESERVED.

LOC		DIST		REVISIONS			
P	LTR	DESCRIPTION	DATE	DWN	APVD		
	W2	REVISED PER ECR-15-006687	21OCT2015	NK	NL		



- 1 MATERIAL: CONNECTOR - NYLON UL94V-2 (RED).
CONTACTS - 0.30[.012] THICK COPPER ALLOY
0.00076[.000030] GOLD OR 0.00076[.000030]
TOTAL GOLD FLASH OVER PALLADIUM NICKEL,
PER TE CONNECTIVITY'S DISCRETION, IN
CONTACT AREA WITH MATTE TIN SLOT
AREA FOR 641241-2 THRU 2-641241-8 OR MATTE WHISKER
MITIGATED TIN FOR 3-641241-2 THRU 5-641241-8 OVER
NICKEL UNDERPLATE.
- 2 CONTACTS ACCEPT 22 AWG WIRE WITH 1.52 [.060] MAX INSULATION
DIAMETER.
- 3 CONTACTS MUST ACCEPT 0.64±0.03 [.025±.001] SQUARE
POST AND REMAIN LOCKED IN POSITION.
- 4 IDENTIFICATION NUMBER FOR LAST CIRCUIT MAY NOT APPEAR ON
ALL ASSEMBLIES.
- 5 DIMENSIONS IN BRACKETS ARE IN INCHES.
- 6 HOUSING FEATURES ARE: FEED THRU WITH LOCKING RAMP.
- 7 OBSOLETE PARTS: OBSOLETE CIS STREAMLINING PER D.RENAUD/D.SINISI
- 8 OBSOLETE PARTS

DIM A	NO.OF POSN	ASSEMBLY	DIM A	NO.OF POSN	ASSEMBLY
71.12 [2.800]	28	5-641241-8	71.12 [2.800]	28	2-641241-8
68.58 [2.700]	27	5-641241-7	68.58 [2.700]	27	2-641241-7
66.04 [2.600]	26	5-641241-6	66.04 [2.600]	26	2-641241-6
63.50 [2.500]	25	5-641241-5	63.50 [2.500]	25	2-641241-5
60.96 [2.400]	24	5-641241-4	60.96 [2.400]	24	2-641241-4
58.42 [2.300]	23	5-641241-3	58.42 [2.300]	23	2-641241-3
55.88 [2.200]	22	5-641241-2	55.88 [2.200]	22	2-641241-2
53.34 [2.100]	21	5-641241-1	53.34 [2.100]	21	2-641241-1
50.80 [2.000]	20	5-641241-0	50.80 [2.000]	20	2-641241-0
48.26 [1.900]	19	4-641241-9	48.26 [1.900]	19	1-641241-9
45.72 [1.800]	18	4-641241-8	45.72 [1.800]	18	1-641241-8
43.18 [1.700]	17	4-641241-7	43.18 [1.700]	17	1-641241-7
40.64 [1.600]	16	4-641241-6	40.64 [1.600]	16	1-641241-6
38.10 [1.500]	15	4-641241-5	38.10 [1.500]	15	1-641241-5
35.56 [1.400]	14	4-641241-4	35.56 [1.400]	14	1-641241-4
33.02 [1.300]	13	4-641241-3	33.02 [1.300]	13	1-641241-3
30.48 [1.200]	12	4-641241-2	30.48 [1.200]	12	1-641241-2
27.94 [1.100]	11	4-641241-1	27.94 [1.100]	11	1-641241-1
25.40 [1.000]	10	4-641241-0	25.40 [1.000]	10	1-641241-0
22.86 [.900]	9	3-641241-9	22.86 [.900]	9	641241-9
20.32 [.800]	8	3-641241-8	20.32 [.800]	8	641241-8
17.78 [.700]	7	3-641241-7	17.78 [.700]	7	641241-7
15.24 [.600]	6	3-641241-6	15.24 [.600]	6	641241-6
12.70 [.500]	5	3-641241-5	12.70 [.500]	5	641241-5
10.16 [.400]	4	3-641241-4	10.16 [.400]	4	641241-4
7.62 [.300]	3	3-641241-3	7.62 [.300]	3	641241-3
5.08 [.200]	2	3-641241-2	5.08 [.200]	2	641241-2

THIS DRAWING IS A CONTROLLED DOCUMENT.

DWN S. HOOVER 28-DEC-2004
 CHK D. BOSSI 28-DEC-2004
 APVD D. BOSSI 28-DEC-2004

TE TE Connectivity

NAME: MTA .100 CONNECTOR ASSEMBLY, 22 AWG, STANDARD

PRODUCT SPEC: 108-1050
 APPLICATION SPEC: 114-1019

SIZE: A2 CAGE CODE: 00779 DRAWING NO: 641241 RESTRICTED TO: []

MATERIAL: [1] FINISH: [1]

WEIGHT: [] SCALE: 4:1 SHEET: 1 of 1 REV: W2

CUSTOMER DRAWING

Mouser Electronics

Authorized Distributor

Click to View Pricing, Inventory, Delivery & Lifecycle Information:

[TE Connectivity:](#)

[3-641241-8](#)