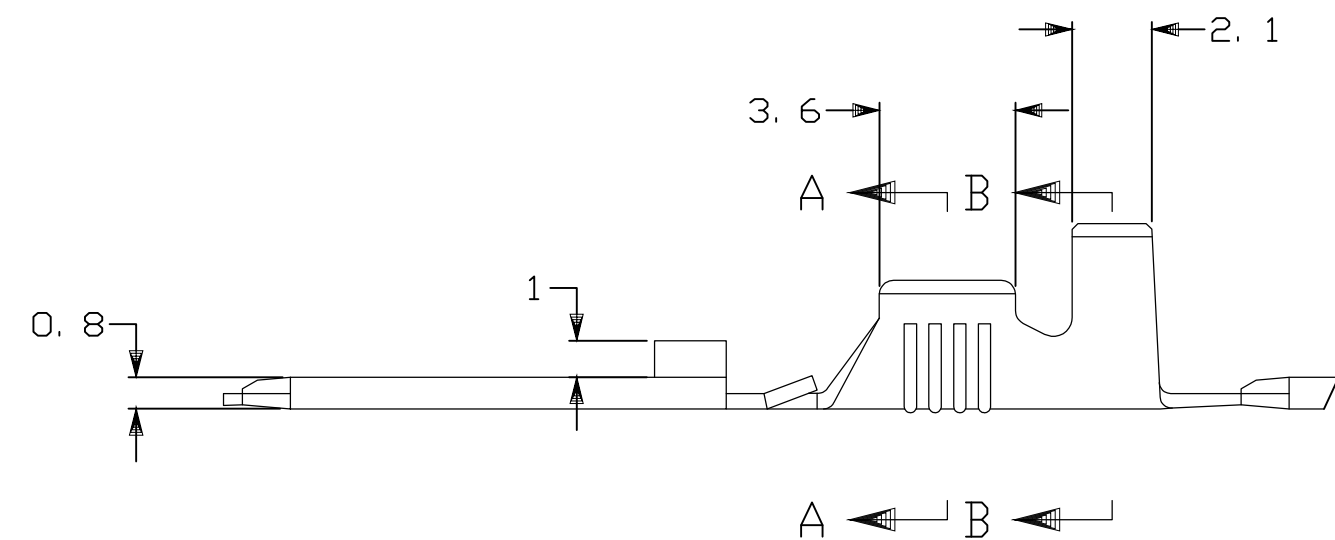
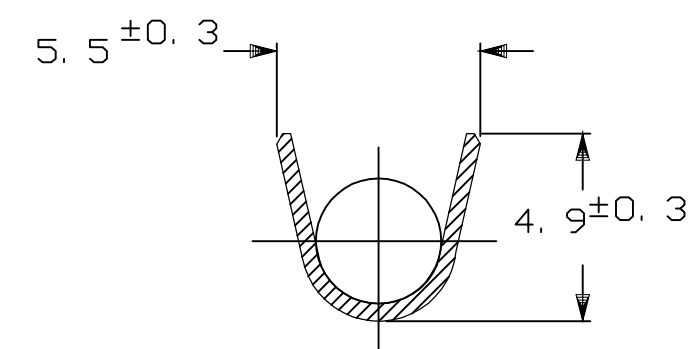
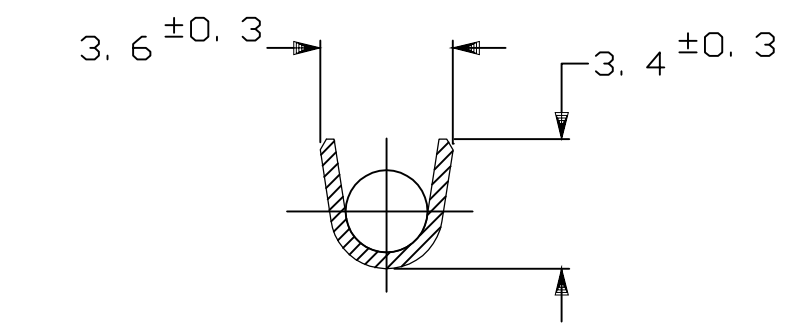
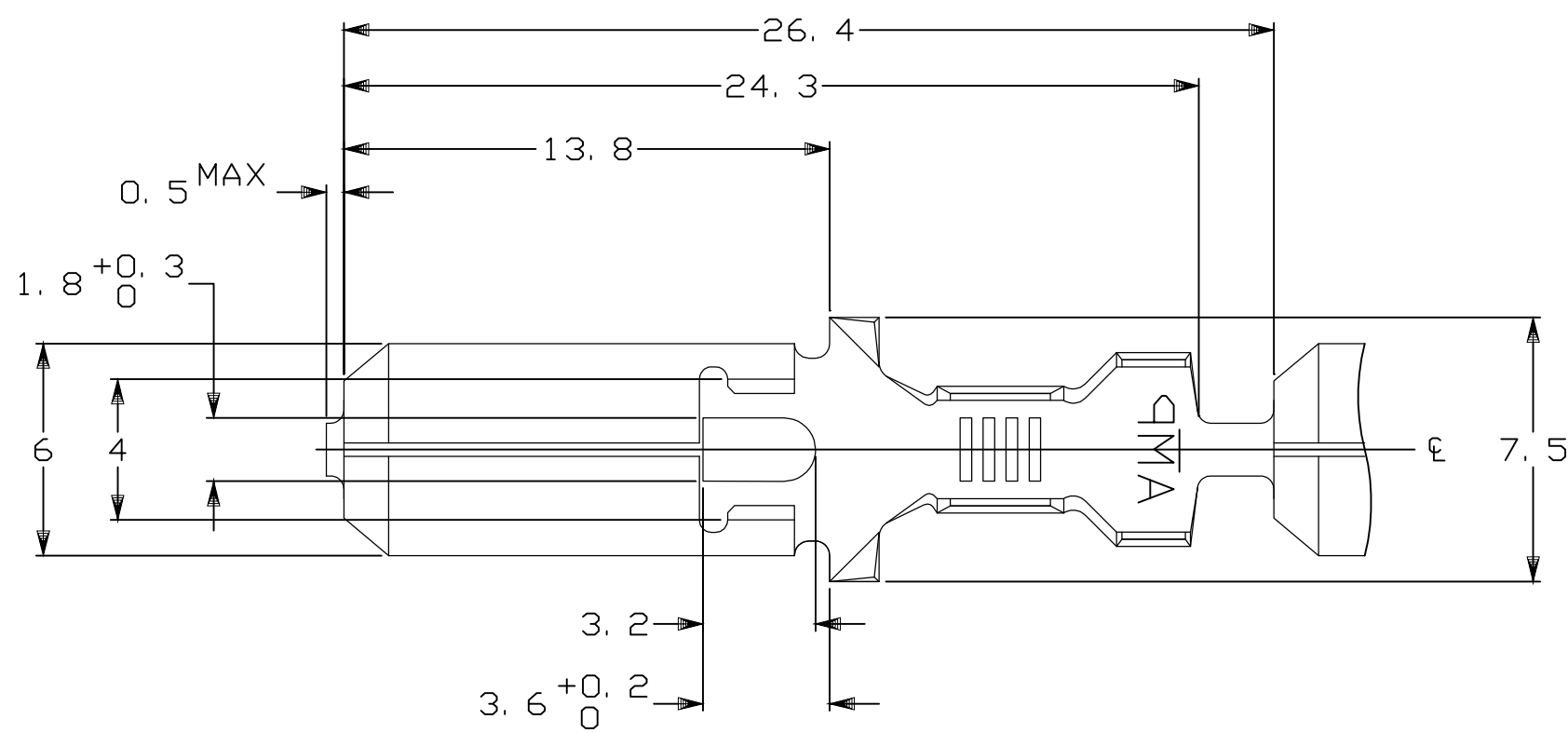


THIS DRAWING IS UNPUBLISHED. RELEASED FOR PUBLICATION  
 © COPYRIGHT - By - ALL RIGHTS RESERVED.

LOC	DIST	REVISIONS 変更			
P	LTR	DESCRIPTION	DATE	DWN	APVD
J	-	C4	REVISED	02DEC2013	K.S D.Z
		C5	REVISED PER ECR-15-013317	21SEP2015	L.P T.D



- △ REVERSE REEL OF 170340-3
- △ 170340-3、逆巻リール
- △ SEPARATE PAPER TYPE

△	—	PRE-TIN BRASS t0.41	179462-3	2-170340-3
△	—	PRE-TIN BRASS t0.41	—	1-170340-3
	—	PRE-TIN BRASS t0.41	179462-3	170340-3
	—	BRASS t0.41	—	170340-1
	FINISH	MATERIAL	LOOSE PIECE NUMBER	PART NUMBER

THIS DRAWING IS A CONTROLLED DOCUMENT.

DIMENSIONS: 単位: 耗 mm	TOLERANCES UNLESS OTHERWISE SPECIFIED: 一般公差
	0 PLC ± -
	1 PLC 10 ± - ±0.2
	2 PLC 30 ± - ±0.25
	3 PLC ANGLE ±3°
	4 PLC ± -
	ANGLES ± -
MATERIAL 材料	FINISH 仕上
SEE TABLE	SEE TABLE

DWN A.YAMAGUCHI 19AUG98	INSULATION DIA 被覆外径 2.1~3.4 DIA	<b>STE</b> TE Connectivity
CHK K.BETSUI 26AUG98	WIRE RANGE 包合電線断面積 #20~#14	
APVD K.BETSUI 26AUG98	NAME 名称 250 SERIES TAB WITHOUT LATCH 250シリーズ ラッチ無しタブ	RESTRICTED TO —
PRODUCT SPEC 製品規格 108-5147	SIZE A3	
APPLICATION SPEC 取付適用規格 114-5052	CAGE CODE 00779	DRAWING NO 番号 C-170340
WEIGHT 0.76g	CUSTOMER DRAWING	SCALE 尺度 5:1
		SHEET 1 OF 1
		REV C5

# Mouser Electronics

Authorized Distributor

Click to View Pricing, Inventory, Delivery & Lifecycle Information:

[TE Connectivity:](#)

[170340-1](#) [170340-1 \(Mouser Reel\)](#) [170340-1 \(Cut Strip\)](#)