

MICRO SWITCH
a Honeywell Division

FED. MFG. CODE 91929

LEVER, SWITCH ACTUATOR GLZ6 SERIES CHART 1

CATALOG LISTING

THIS DRAWING COVERS A PROPRIETARY ITEM AND IS THE PROPERTY OF MICRO SWITCH. A DIVISION OF HONEYWELL. THIS DRAWING IS NOT TO BE COPIED OR USED WITHOUT THE APPROVAL OF MICRO SWITCH.

CATALOG LISTING	"Y" LENGTH	"Z" LENGTH
GLZ68	304,8 12.00	248,8 9.80

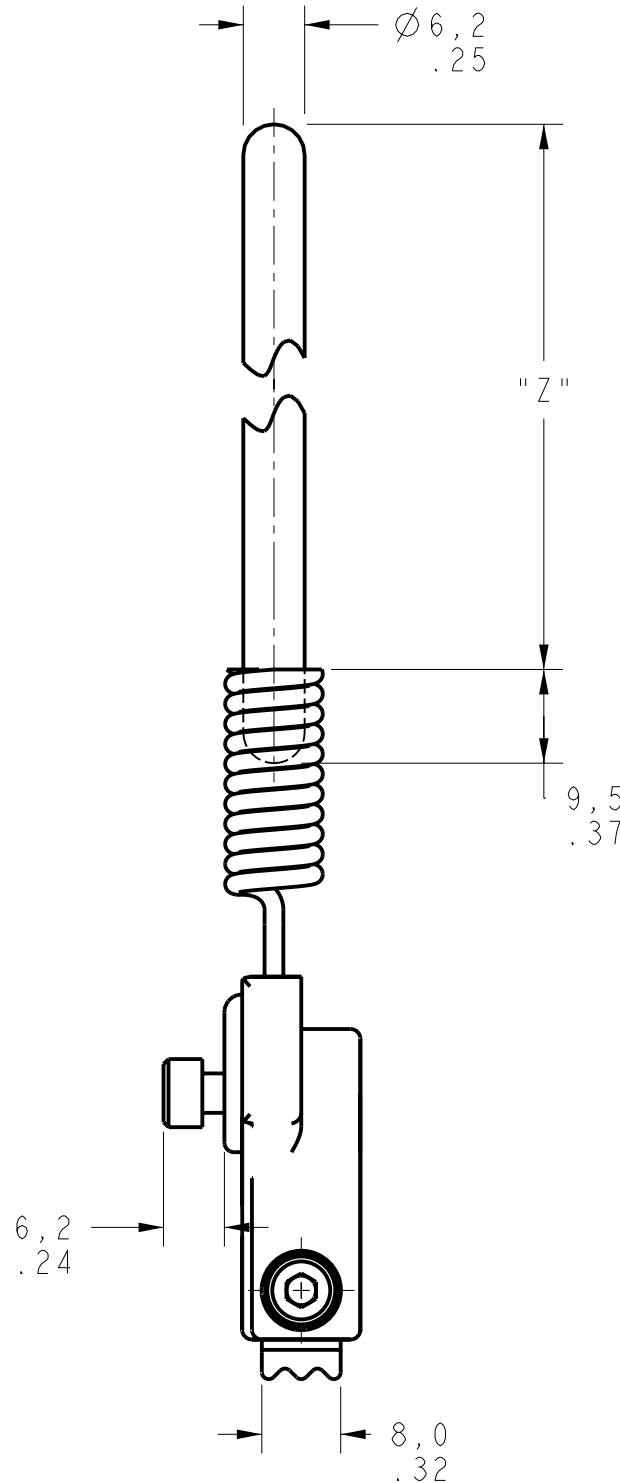
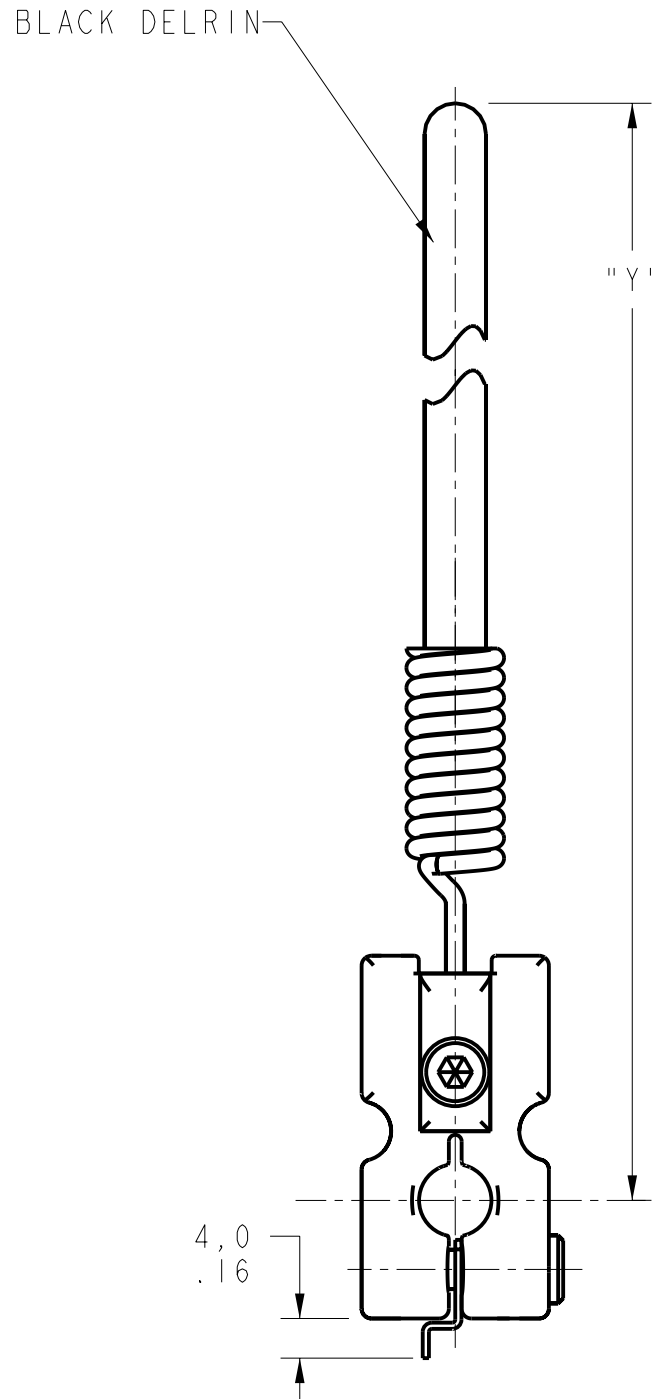
CATALOG LISTING
GLZ6 SERIES CHART 1
PAGE 1 OF 1
RELEASE NO. PR-22268

ISSUE
1
REPLACES

REVISIONS

NO.	DATE	DESCRIPTION	CHECK

DRAWN
GLH 4 NOV 96
CHECK



THIRD ANGLE PROJECTION

SCALE FULL

DO NOT SCALE PRINT

TOLERANCES

APPLY TO DESIGN UNITS. CONVERSIONS ARE ONLY FOR REFERENCE. UNLESS NOTED, TOLERANCES ARE ±

	DIM.	TOL.	DIM.	TOL.
	mm	mm/in	in	mm/in
NO PLACES	X	1/.04	X.X	0.8/.03
ONE PLACE	X.X	0.4/.016	X.XX	0.38/.015
TWO PLACES	X.XX	0.15/.006	X.XXX	0.13/.005
THREE PLACES	X.XXX			
ANGLES				

DESIGN UNITS SI METRIC US CUSTOMARY

WEIGHT

Mouser Electronics

Authorized Distributor

Click to View Pricing, Inventory, Delivery & Lifecycle Information:

[Honeywell:](#)

[GLZ68](#)