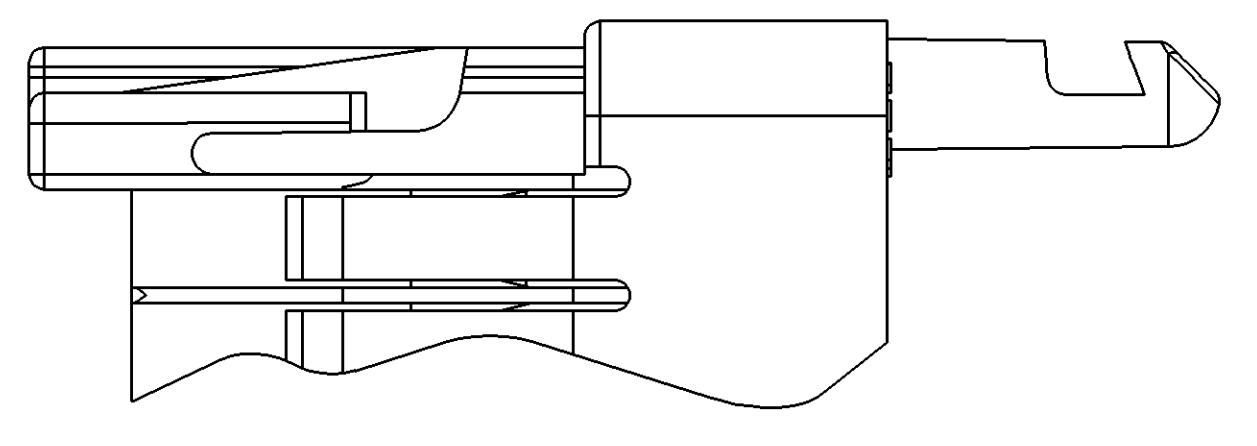
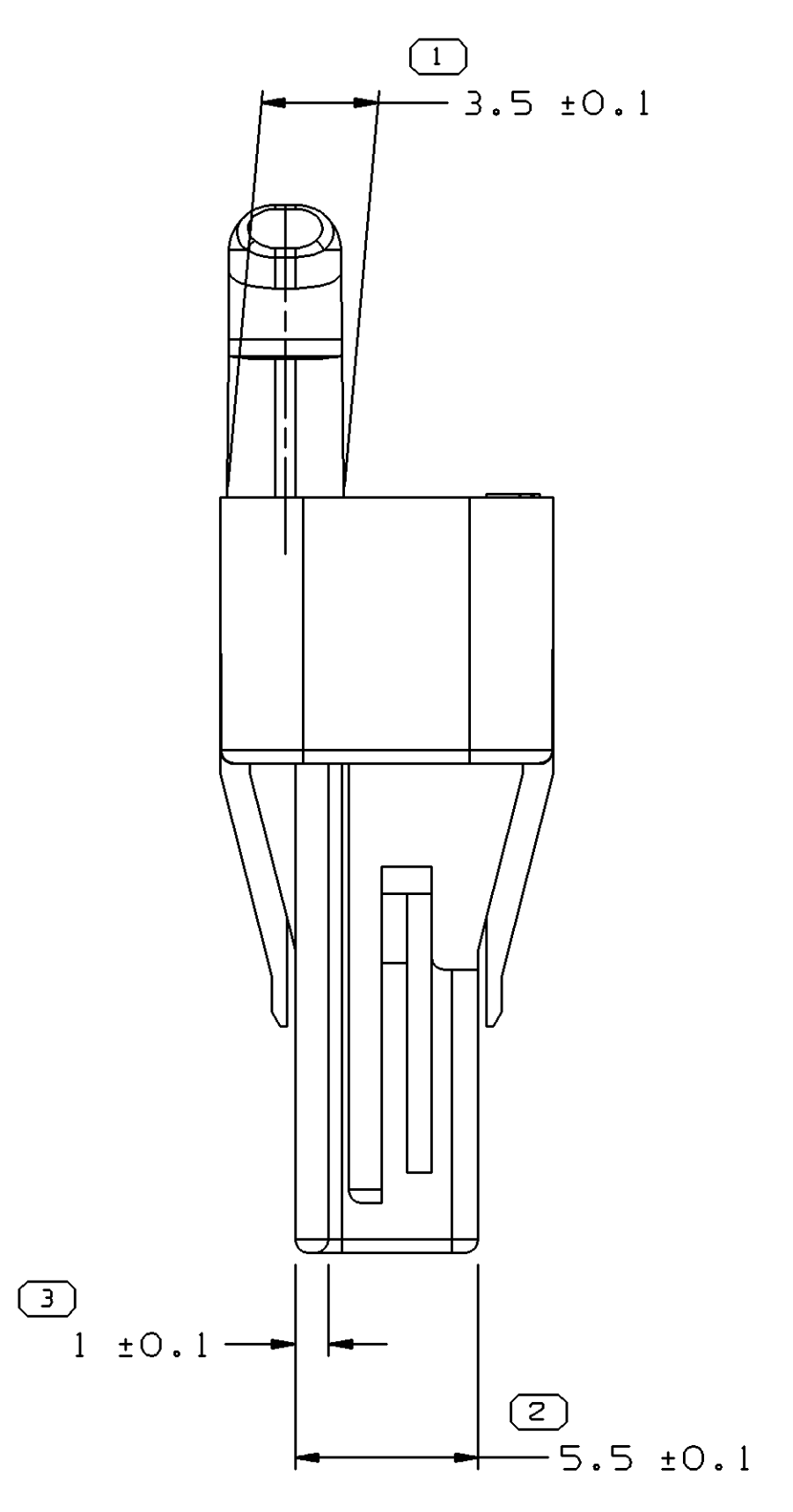
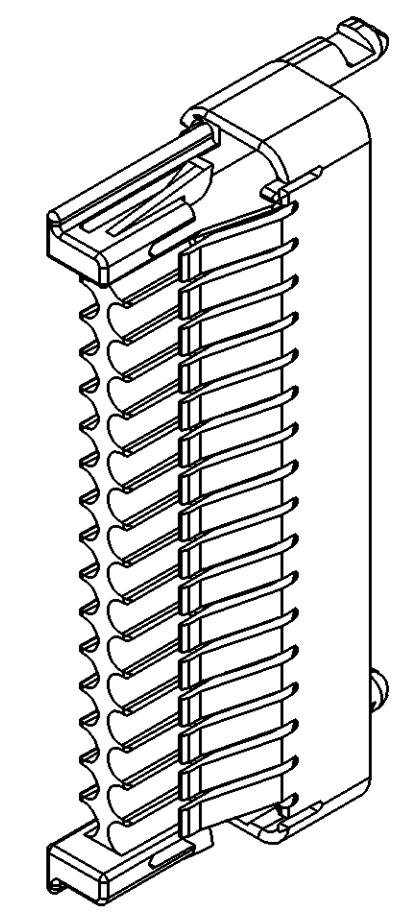
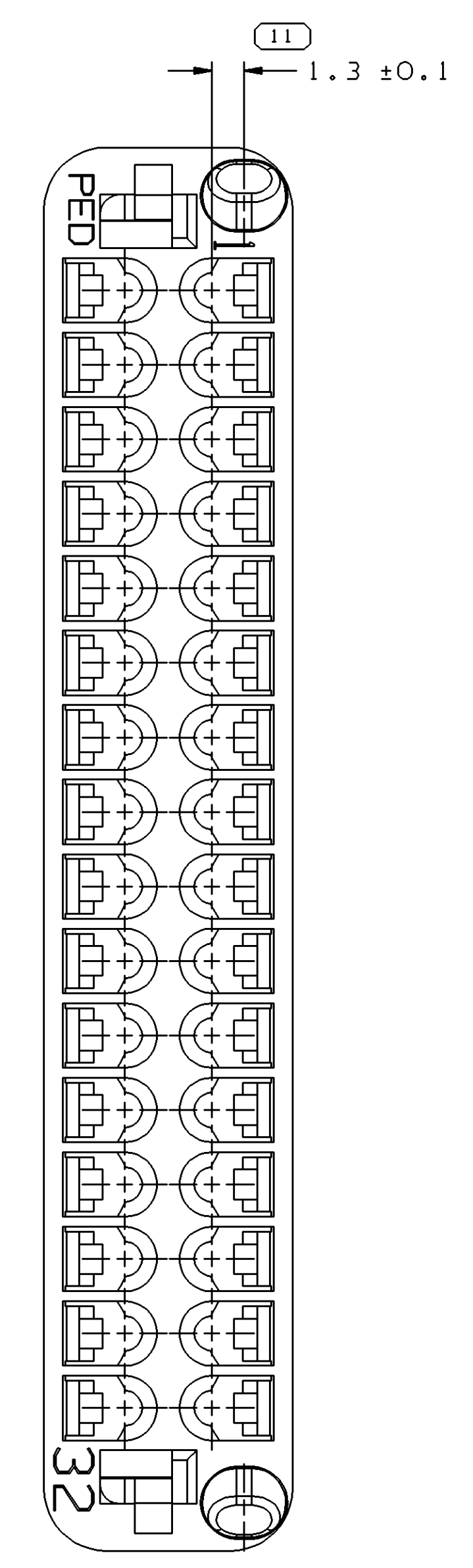
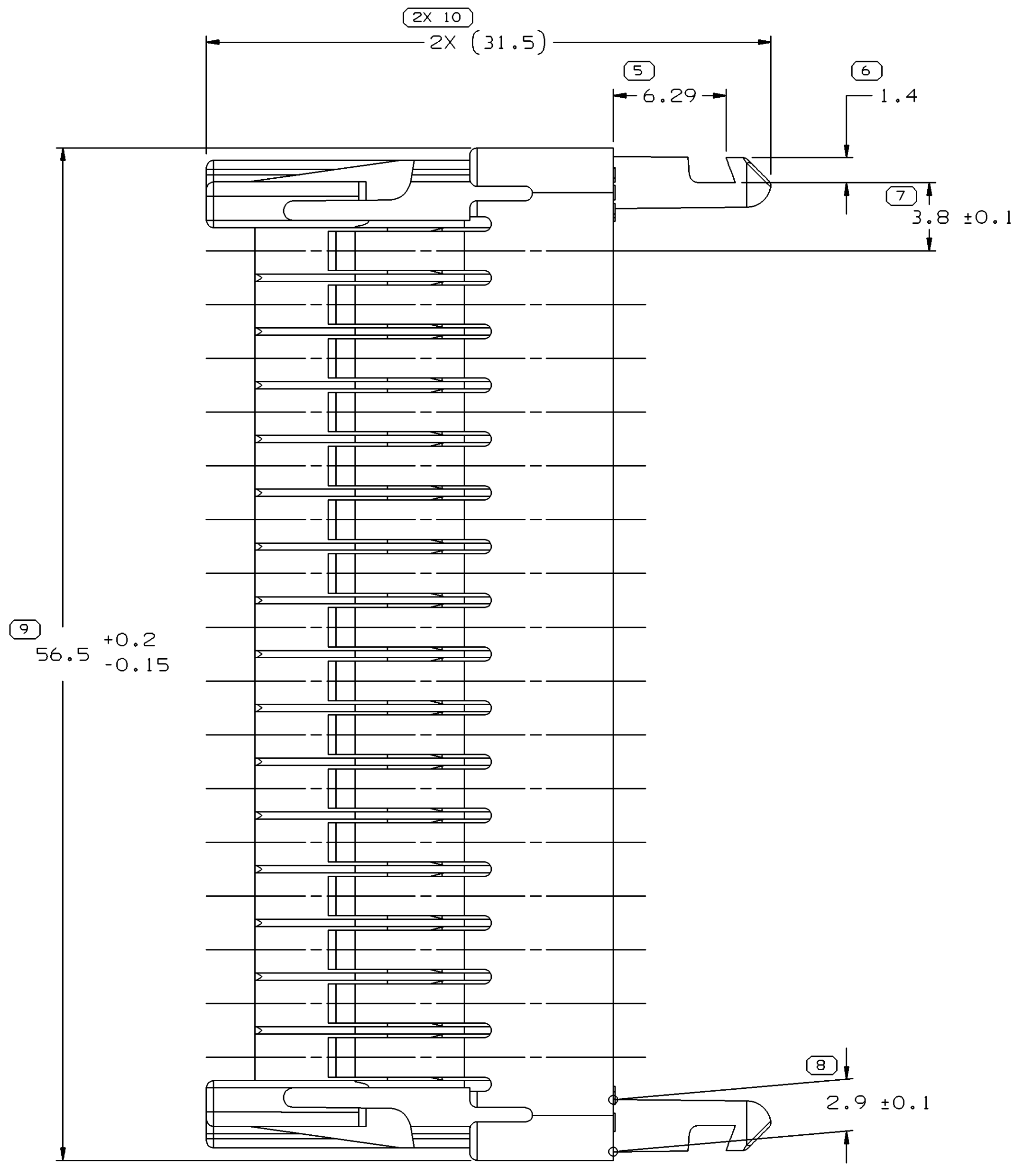
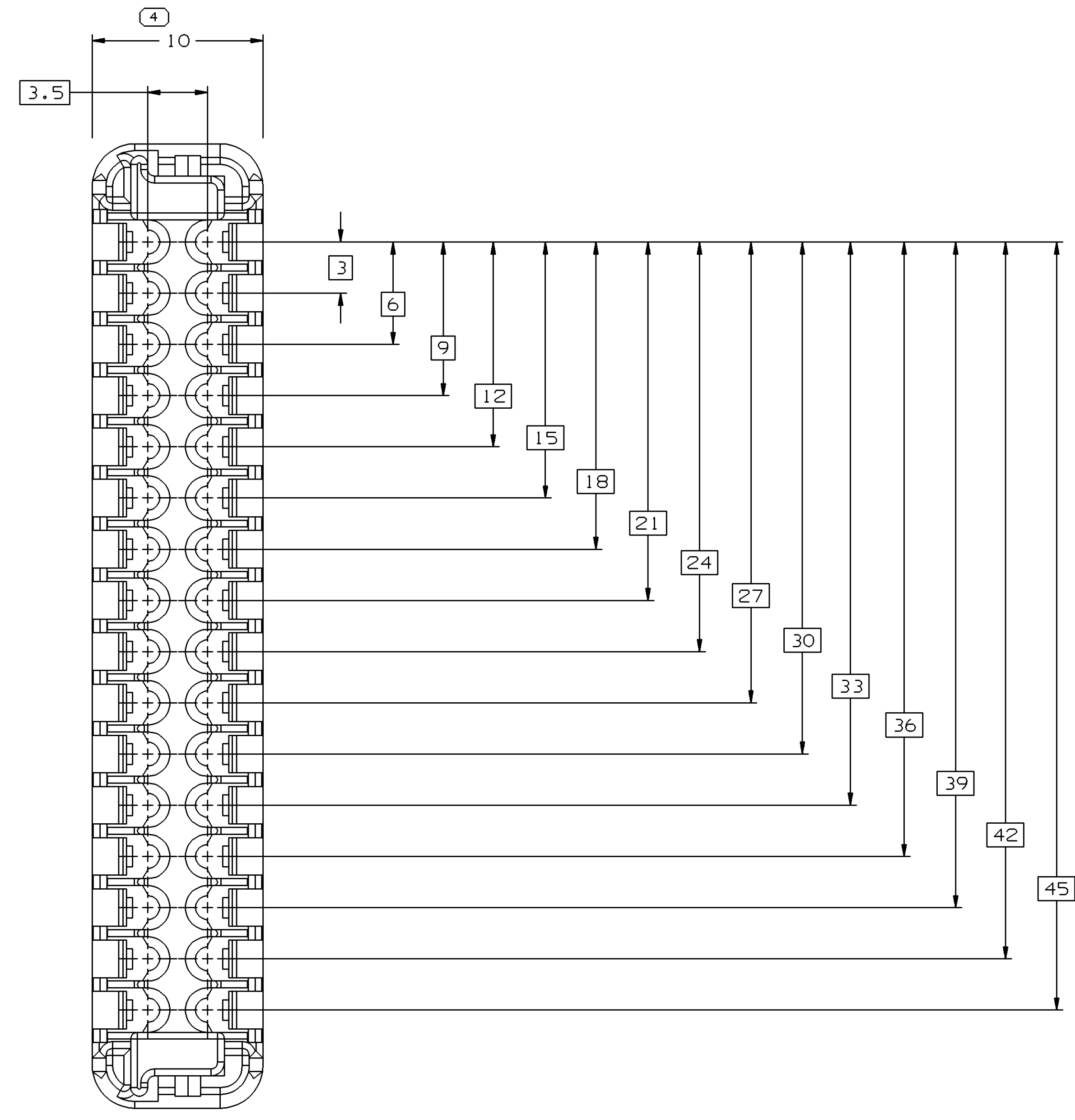


SYMBOL DEFINITION		MISSING SYMBOLS	
A DIMENSION WITHOUT AN INSPECTION REPORT SYMBOL DOES NOT REQUIRE INSPECTION. IT MAY BE CONTROLLED ON THE INDIVIDUAL COMPONENT DRAWING.	TOTAL NO OF INSPECTIONS REQUIRED	NO MISSING SYMBOL NUMBER	
	12		
	LAST NO. USED	11	

DWO STATUS					REVISION HISTORY					AUTH	DR	APVD		
DATE	STG	REV	N/P	CHO	ZONE	Cleared Rev Column, Redrawn to PD and Material Spec Was R010023					268583	GPS	JAA	BM
31MY05	R	J4	-	-	-									



OPTIONAL CONSTRUCTION
4X CORE SUPPORT SLOT MAY BE REMOVED



VIEW SCALE DOES NOT REFLECT ACTUAL PART SIZE

- NOTES
- UNLESS OTHERWISE SPECIFIED AND/OR INDICATED:
DIMENSIONS ARE TO FACE OF VIEW SHOWN AND AUTOMATICALLY ROUNDED BY COMPUTER FOR INSPECTION (SEE MATH MODEL FOR PRECISE DIMENSIONS). FOR ALL OTHER DIMENSIONS NOT SHOWN BUT REQUIRED FOR TOOL BUILD, SEE MATH MODEL FOR PRECISE TOOL PATH DATA.
 - THIS PART ACCEPTS THE FOLLOWING COMPONENTS OR EQUIVALENT:
CAVITIES TO ACCEPT 12084912 TERMINAL RETAINER 12129021
SEAL 12129026
STRAIN RELIEF 12129030
 - THIS PART ALSO USED WITH CPA 12110299, CAVITY PLUG(S) 12129557, AND WHEN FULLY ASSEMBLED MATES TO HEADER CONNECTOR ASSEMBLY 12129006 OR EQUIVALENTS.
 - MATERIAL RECYCLING CODE PER ISO 11469. (1)X(0.1) CHARACTERS AS SHOWN TO BE LOCATED ON ANY EXTERIOR SURFACE. OPTIONAL CONSTRUCTION TO BE NO MATERIAL RECYCLING CODE.
 - (1)X(0.1) DELPHI CORPORATE BRAND TO BE LOCATED ON ANY EXTERIOR SURFACE, PREFERABLY VISIBLE AT FINAL ASSEMBLY. OPTIONAL CONSTRUCTION FOR EXISTING TOOLING MAY BE "PED".

DWO TYPE: PART DRAWING		STYLE	
VOLUME (COP): 3,987	DISTR CODE: D	UNLESS OTHERWISE SPECIFIED	
THIS DOCUMENT IS IN ACCORDANCE WITH ASME Y14.5M-1994 AS AMENDED BY THE ON-SIGNAL DIMENSIONING AND TOLERANCING ADDENDUM-2003. SEPARATE PATTERNING OF FEATURES MAY BE OBTAINED SEPARATELY REGARDLESS OF DATUM REFERENCES.			
ALL DIMENSIONS ARE IN MILLIMETERS			
DIMENSIONAL RANGE (MM)		CHART E1	
FROM	TO	FROM	TO
> 0	> 20	> 70	> 100
> 20	> 30	> 100	> 150
> 30	> 70	> 150	> 200
> 70	> 100	> 200	> 250
> 100	> 150	> 250	> 300
> 150	> 200	> 300	> 400
TOLERANCE UNLESS OTHERWISE SPECIFIED		ANGULAR TOLERANCE 12°	
±0.15	±0.2	±0.3	±0.5
±0.4	±0.6	±0.8	±1
±1	±1.2		

DELPHI
DELPHI PACKARD ELECTRIC SYSTEMS
WARREN, OH

DR	DATE
APVD1 D.K. JENKINS	19FE91
APVD2 J. COLDSNOW	26MR91
APVD3 CHRIS REIDER	02AP91
APVD4	
APVD5	

MATERIAL: M4695001 PBT NAT

DRAWING NAME: CONN 32 F MIC/P 100W NAT SLD

DRAWING NUMBER: 12129025

SIZE: A0 SCALE: 5:1 FRAME NO: 1 OF 1 SHEET NO: 1 OF 1 REV: J4

Mouser Electronics

Authorized Distributor

Click to View Pricing, Inventory, Delivery & Lifecycle Information:

[Aptiv:](#)

[12129025](#)