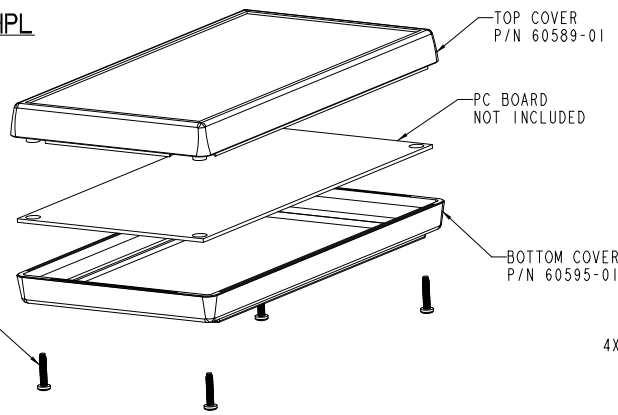
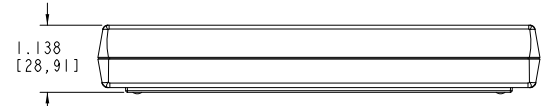
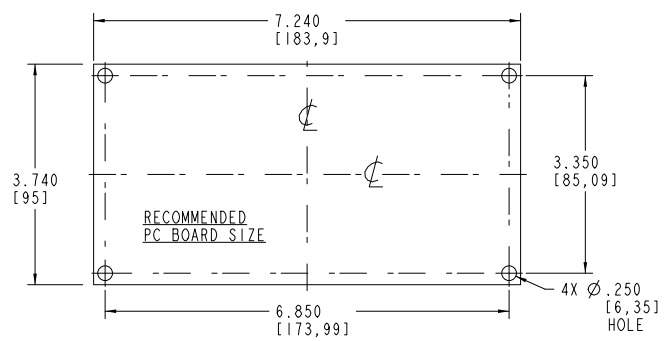
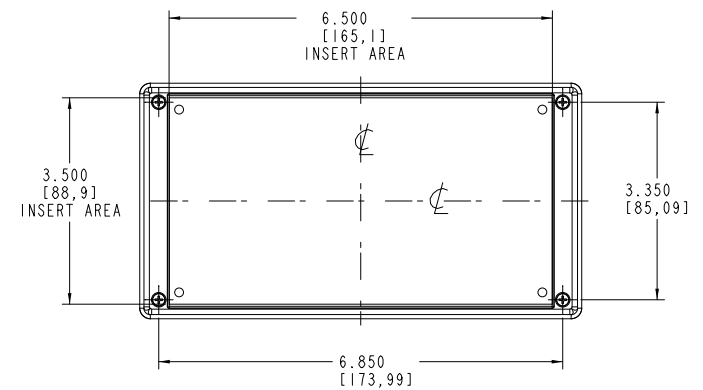
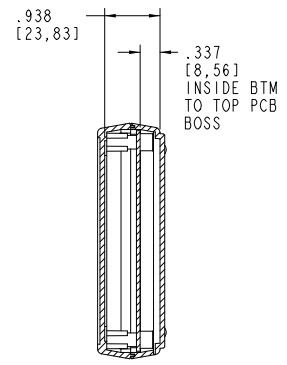
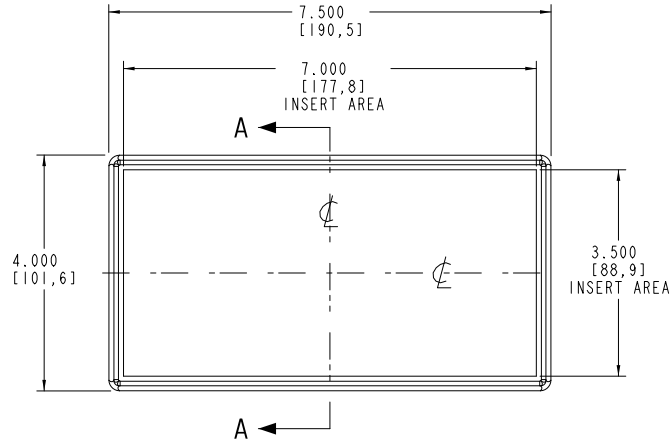
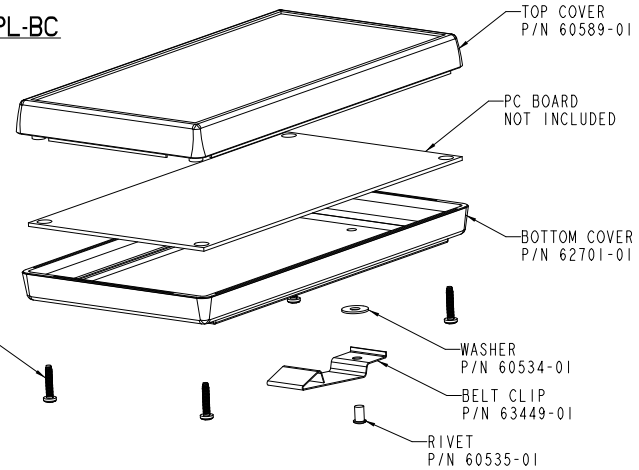


HPL



HPL-BC



**PACNTEC®**  
1-610-361-4200

**HPL, HPL-BC**

VISIT **PACNTEC®**  
ON THE WORLD WIDE WEB  
[www.pactecenclosures.com](http://www.pactecenclosures.com)

COLOR / MATERIAL CODE		
COLOR	94HB	94VO
BLACK	000	028
P.C.-BONE	039	060

DRAWING NUMBER	REV
60811	C

# Mouser Electronics

Authorized Distributor

Click to View Pricing, Inventory, Delivery & Lifecycle Information:

## PacTec:

[74204-510-000 HPL-TB Black Kit](#) [64501-510-000 HPL-XH Black Kit](#) [64504-510-039 K-HPL-XH BONE Kit](#) [64523-510-039 K-HPL-PVB-XH BONE Kit](#) [60625-510-001 K-HPL-GRAY](#) [62040-510-039 HPL Bone Kit](#) [60624-510-000 HPL Black Kit](#)