

DASH NO	CABLES ACCOMMODATED	A DIM	B DIM	C FLATS	D FLATS	E DIA	ASSEMBLE PER										
-7	TRC-50-2 TRC-75-2	1.135	.096	.438	.438	.500	TAI-189										
-8	8227, BELDEN	1.716	.130	.625	.688	.750	TAI-103										
-9	TWC-78-2 TWC-124-2	1.135	.096	.438	.438	.500	TAI-102										
-A9	BL782, TIMES BL982, TIMES BL1242, TIMES																
-10	RG-22 754E, AT&T																
-11	760A, AT&T	1.716	.130	.625	.688	.750	TAI-103										
-12	16 PEVL, AT&T V1-AL, GENERAL						TAI-128										
-13	TRF-59, TIMES						TAI-129										
-13A	8232, BELDEN						TAI-165										
-14	8233, BELDEN						TAI-129										
-23	250-3884, MICRODOT						TAI-189										
-24	202-3934, MICRODOT						TAI-102										
-24A	9530A5117, RAYCHEM						TAI-189										
-25	T-43M, GENERAL						TAI-102										
-25A	5021H5331, RAYCHEM						TAI-189										
-26	7028A5518, RAYCHEM	1.135	.096	.438	.438	.500	TAI-102										
-27	T19TPSJ2619EN, WOVEN 202-3927, MICRODOT 202-3942, MICRODOT																
-29	TWC-78-1/TWC-124-1A																
-30	761A, AT&T 8441, BELDEN	1.716	.130	.625	.688	.750	TAI-103										
-32	TRC-50-1						1.135	.096	.438	.438	.500	TAI-102					
-33	TRC-75-1																
-42	21-204, ESSEX 4463, CONSOLIDATED											TAI-189					
-43	250-4044/250-4045 293-3930, MICRODOT											1.716	.130	.625	.688	.750	TAI-102
-45	M27500-22TE2T14 1100-66F, STANDARD																
-46	9860, BELDEN																
-47	M17/176-00002											1.135	.096	.438	.438	.500	TAI-189
-49	TWAC-78-1F2																TAI-102
-54	89207, BELDEN																1.716
-55	89272, BELDEN																
-56	GC875GC1, GRUMMAN	TAI-189															
-57	GC875GB1, GRUMMAN	1.135	.096	.438	.438	.500	TAI-102										
-58	GC875TM24H, GRUMMAN																
-59	GC875LN1, GRUMMAN																
-60	M17/177, THERMATICS 380-10045, BOEING	1.716	.130	.625	.688	.750	TAI-189										
-64	7528A5314, RAYCHEM																

DATA CONTAINED IN THIS DOCUMENT IS PROPRIETARY TO TROMPETER ELECTRONICS INC. AND SHALL NOT BE DISCLOSED, COPIED OR USED FOR PROCUREMENT OR MANUFACTURE WITHOUT EXPRESS WRITTEN PERMISSION OF TROMPETER ELECTRONICS INC.

REVISIONS		310-0025	SH 1
REV	DESCRIPTION	DATE	APPROVED
U	REVISED PER ECD 14778	11-5-02	RAM

CABLE ENTRY			
DASH NO	DIA	DASH NO	DIA
-7	.274	-29	.191
-8	.345	-30	.235
-9	.285	-32	.191
-A9	.285	-33	.217
-10	.455	-42	.300
-11	.347	-43	.200
-12	.485	-45	.183
-13	.362	-46	.475
-13A	.352	-47	.164
-14	.490	-49	.132
-23	.183	-54	.323
-24	.191	-55	.250
-24A	.200	-56	.191
-25	.285	-57	.191
-25A	.285	-58	.198
-26	.191	-59	.198
-27	.145	-60	.217
		-64	.183

FIG 1 Δ
-9 SHOWN

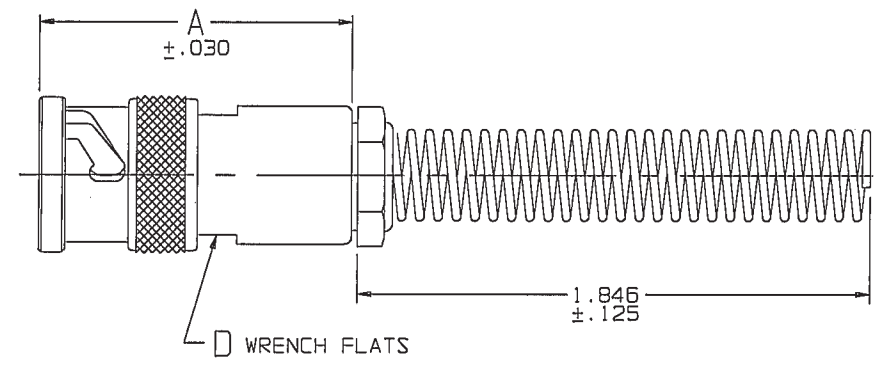
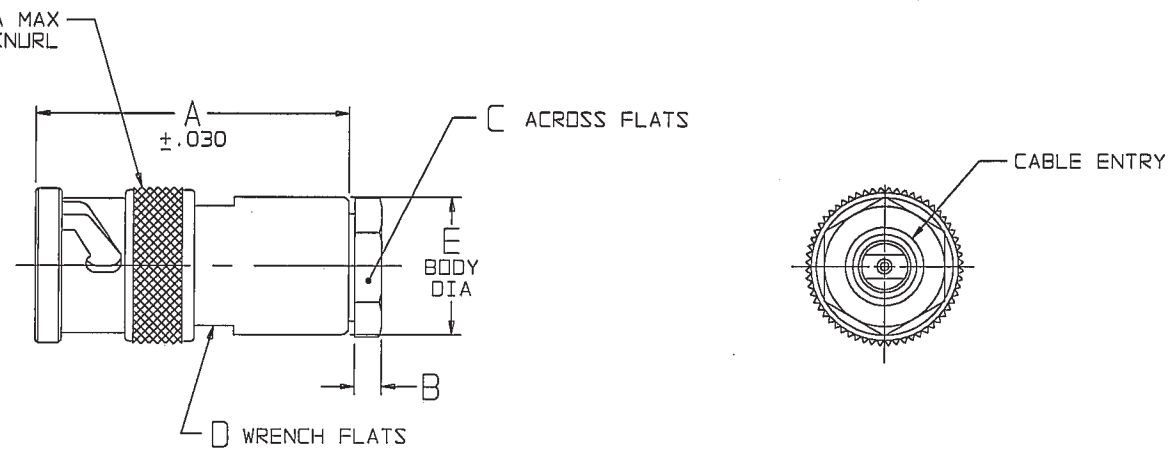
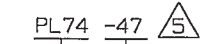


FIG 2
-9 SHOWN



RED INDICATES ORIGINAL

6. EXAMPLE OF A COMPLETE MODEL NO.



BASIC MODEL NO. DASH NO.

Δ IF BEND RELIEF SPRING REQD (SEE FIG 1)
ADD SUFFIX "BR" TO MODEL NO
(NOT AVAILABLE WITH CABLE GROUPS -8, -10, -11,
-12, -13, -13A, -14, -46 & -54)

Δ CLAMP NUT OMITTED

Δ 2-LUG BAYONET CONCENTRIC TWINAX/TRIAX TRB CABLE PLUG

2. FINISH: TFS-1A (NICKEL)

1. ALL DIM ARE IN INCHES

TYPE Δ	DASH NO/CABLE GROUP																
TWINAX	-8	-9	-A9	-10	-11	-12	-24	-25	-27	-29	-30	-45	-46	-47	-49	-54	-55
TRIAx	-7	-13	-13A	-14	-23	-24A	-25A	-26	-32	-33	-42	-43	-56	-57	-59	-60	-64
QUADRAx	-58																

INTERPRET DRAWING PER MIL-STD-100 DIMENSIONS ARE IN INCHES AND INCLUDE FINISH THICKNESS UNLESS OTHERWISE SPECIFIED		TOL: UNLESS SPECIFIED .XX .XXX ±.005 .XXXX ANGLES				
DRAWN AAH	DATE 11-4-02	MATERIAL:				TITLE: PL74/PL74BR
QUALITY JW	DATE 11-5-02	FINISH:		SIZE CAGE CODE B 14949		
HANDLE JW	DATE 11/5/02	DO NOT SCALE DWG		DRAWING NO. 310-0025		
APPROVED RAM	DATE 11/4/02	SCALE NONE		DATE: 3/27/78		
CAD FILE NO. 310-0025U	SHEET 1C		REV. U			

Mouser Electronics

Authorized Distributor

Click to View Pricing, Inventory, Delivery & Lifecycle Information:

[Cinch Connectivity Solutions:](#)

[PL74-7](#) [PL74-47BR](#)