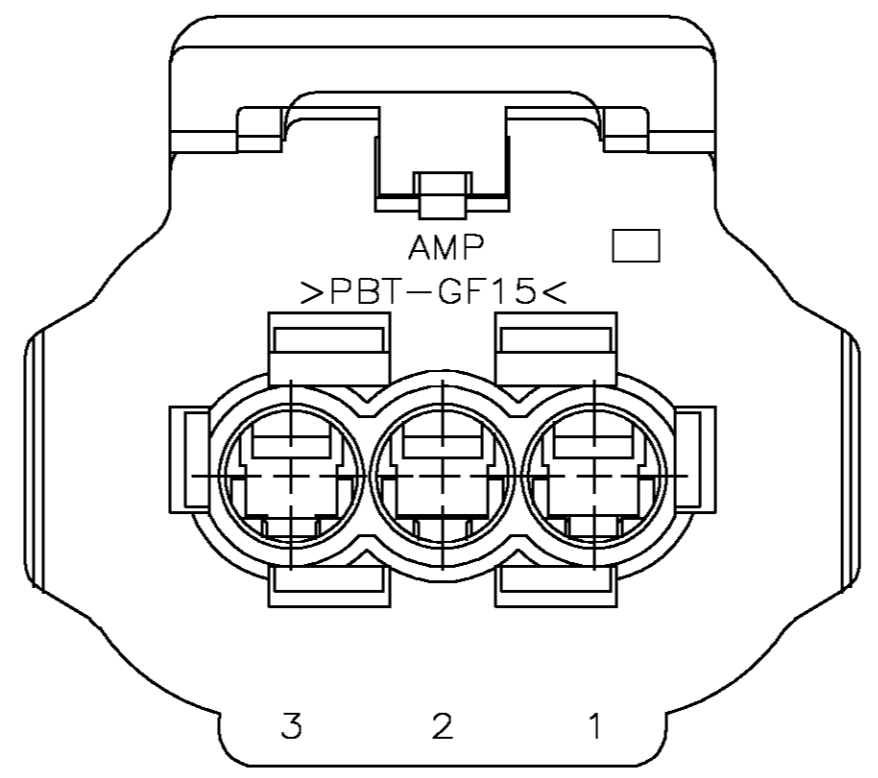
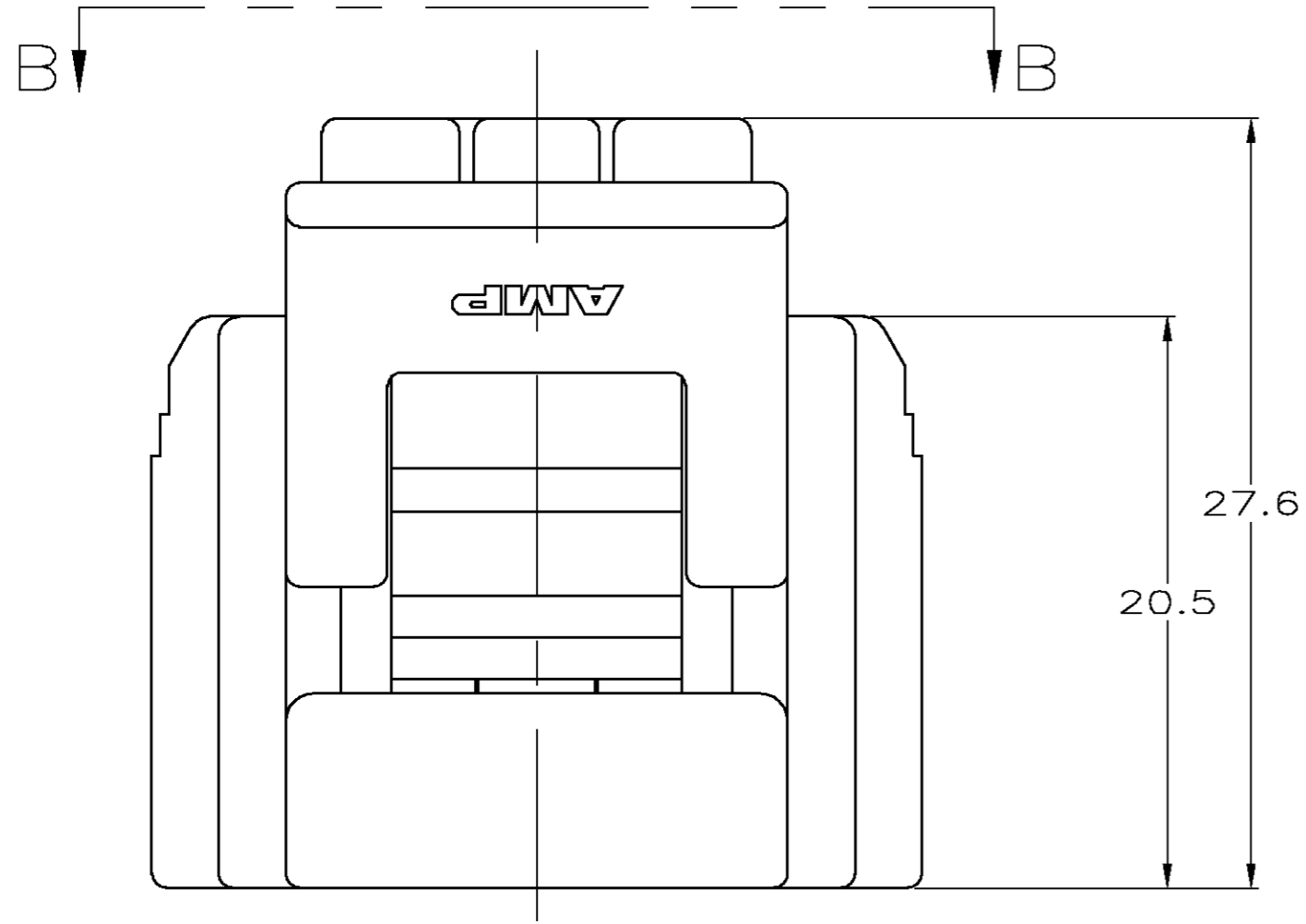
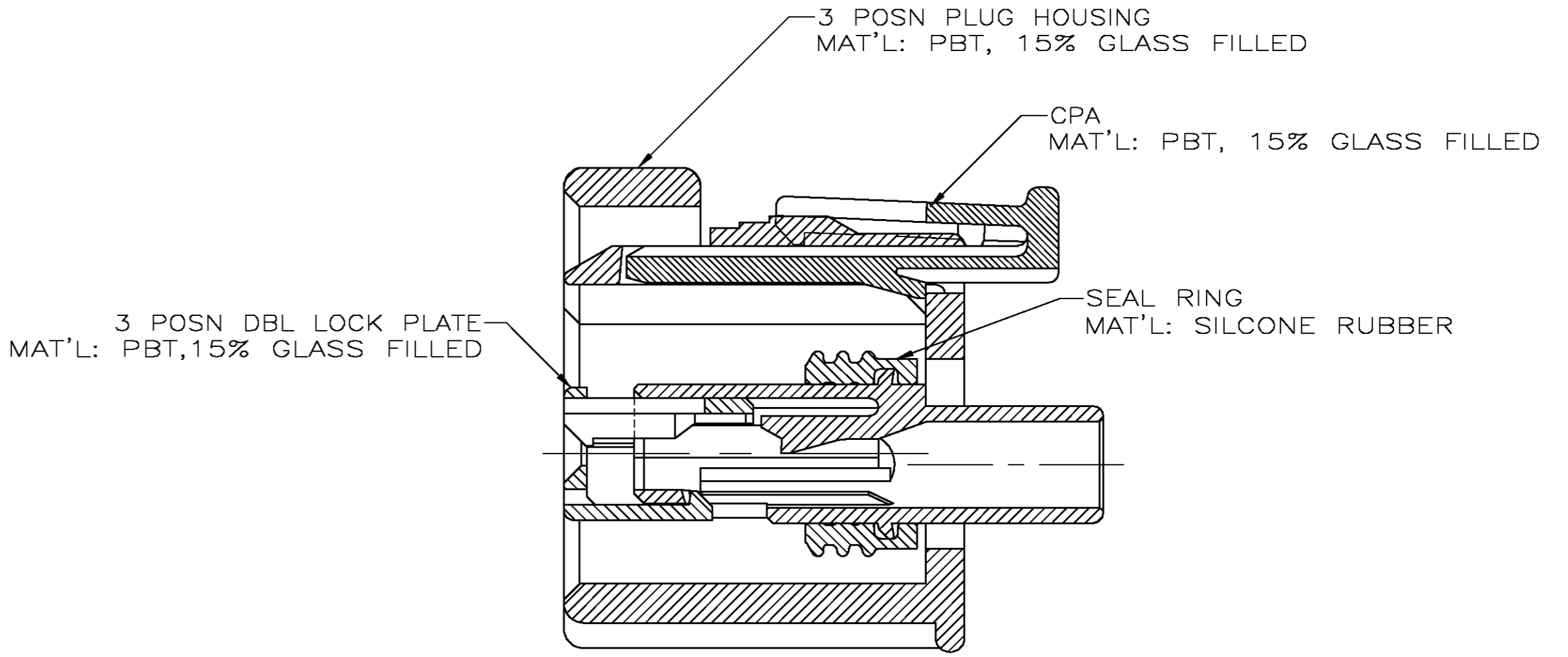
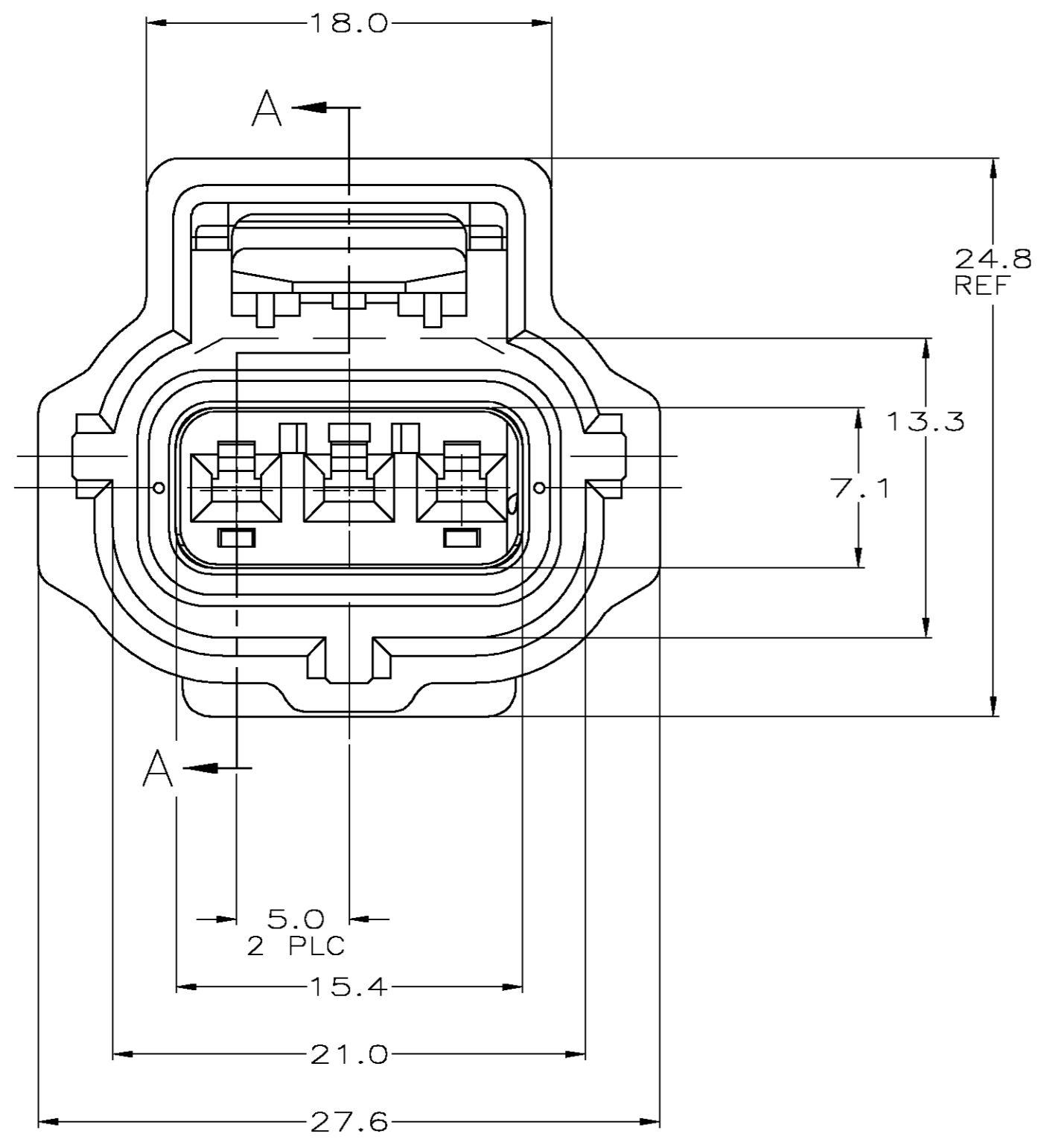


THIS DRAWING IS UNPUBLISHED. RELEASED FOR PUBLICATION
 © COPYRIGHT BY TYCO ELECTRONICS CORPORATION. ALL RIGHTS RESERVED.

LOC		DIST		REVISIONS			
P	LTR	DESCRIPTION	DATE	DWN	APVD		
GE	16						
		D	REVISED PER EC 0K40-0387-04	19NOV2004	DLD	KLK	



VIEW B-B



SECTION A-A

184270-1
 PART NUMBER

THIS DRAWING IS A CONTROLLED DOCUMENT.		DWN K. WISE	05/24/96	tyco Electronics	Tyco Electronics Corporation Harrisburg, Pa 17105-3608	
DIMENSIONS: mm		CHK C. HYRB	05/30/96		NAME	
TOLERANCES UNLESS OTHERWISE SPECIFIED:		APVD C. HYRB	05/30/96	PRODUCT SPEC		
0 PLC ± -		APPLICATION SPEC		1 X 3 PLUG ASSEMBLY KEY A-C3 WITH CPA		
1 PLC ± -		WEIGHT		SIZE	CAGE CODE	DRAWING NO
2 PLC ± 0.3		MATERIAL		A2	00779	C=184270
3 PLC ± -		FINISH		RESTRICTED TO		
4 PLC ± -		CUSTOMER DRAWING		SCALE	SHEET	OF
ANGLES ± 1°				4:1	1	1
FINISH				REV		
				D		