

## Low-Charge Injection, 16-Channel, High-Voltage Analog Switch

### Features

- High-Voltage CMOS technology for high performance
- 16-channel high voltage analog switch
- 3.3V input logic level compatible
- 20 MHz data shift clock frequency
- Very low quiescent power dissipation (-10  $\mu$ A)
- Low parasitic capacitance
- DC to 50 MHz small signal frequency response
- -60dB typical OFF-isolation at 5.0 MHz
- CMOS logic circuitry for low power
- Excellent noise immunity
- Cascadable serial data register with latches
- Flexible operating supply voltages
- Integrated bleed resistors on the outputs (HV2701 only)

### Applications

- Medical ultrasound imaging
- NDT metal flaw detection
- Piezoelectric transducer drivers
- Optical MEMS modules

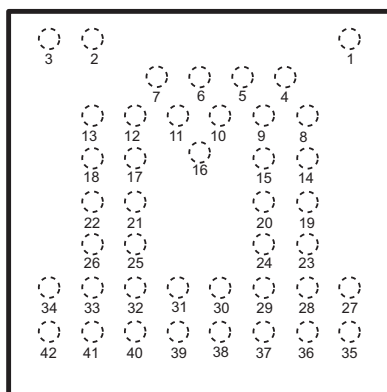
### Description

HV2601/HV2701 are low-charge injection, 16-channel, high-voltage analog switch integrated circuits (ICs). These devices are designed for use in applications requiring high-voltage switching controlled by low-voltage control signals, such as medical ultrasound imaging and other piezoelectric transducer drivers. HV2701 has integrated bleed resistors which eliminate voltage build-up on capacitive loads such as piezoelectric transducers.

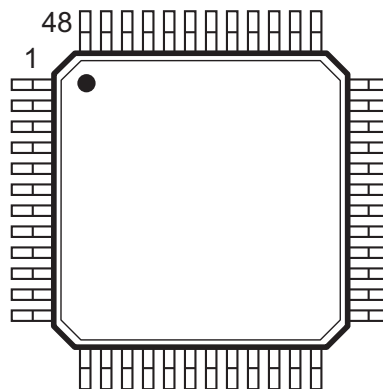
These ICs shift input data into a 16-bit shift register that can then be retained in a 16-bit latch. To reduce any possible clock feed-through noise, the latch enable bar should be left high until all bits are clocked in. Data is clocked in during the rising edge of the clock. Using High-Voltage CMOS technology, this device combines high-voltage, bilateral DMOS switches and low power CMOS logic to provide efficient control of high voltage analog signals.

The device is suitable for various combinations of high voltage supplies, e.g.,  $V_{PP}/V_{NN}$ : +40V/-160V, +100V/-100V, and +160V/-40V.

### Package Types



**42-Ball Bumped Die  
(Top View)**

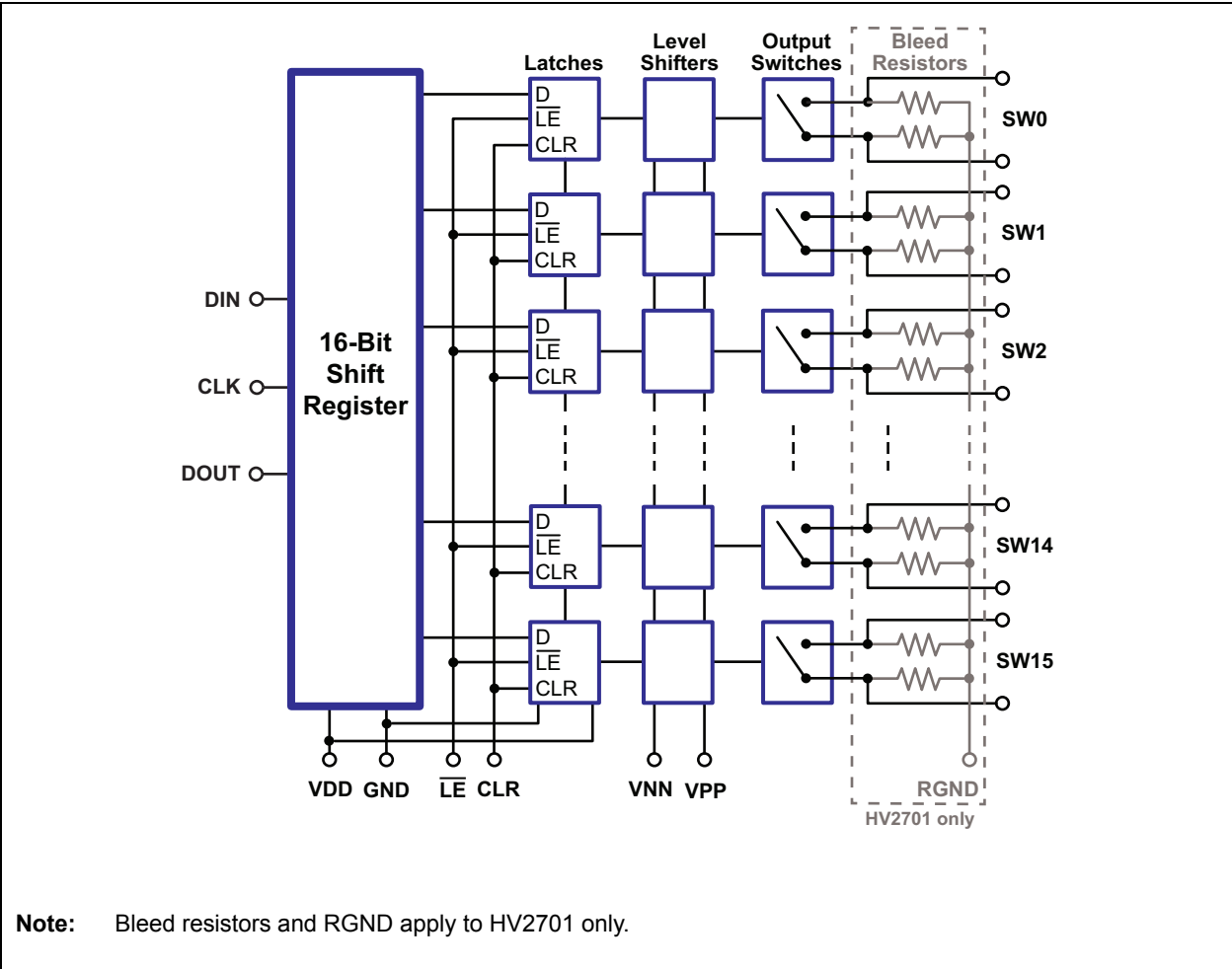


**48-Lead LQFP  
(Top View)**

See [Table 2-1](#) and [Table 2-2](#) for pin information

# HV2601 / HV2701

## Block Diagram



**Note:** Bleed resistors and RGND apply to HV2701 only.

## 1.0 ELECTRICAL CHARACTERISTICS

### ABSOLUTE MAXIMUM RATINGS†

$V_{DD}$ logic supply .....	-0.5V to +7.0V
$V_{PP} - V_{NN}$ differential supply .....	220V
$V_{PP}$ positive supply .....	-0.5V to $V_{NN} + 200V$
$V_{NN}$ negative supply .....	+0.5V to -200V
Logic input voltage .....	-0.5V to $V_{DD} + 0.3V$
Analog signal range .....	$V_{NN}$ to $V_{PP}$
Peak analog signal current/channel .....	3.0A
Storage temperature .....	-65°C to +150°C
Power dissipation 42-Ball Bumped Die .....	1.5W
Power dissipation 48-Lead LQFP .....	1.0W

† **Notice:** Stresses above those listed under “Maximum Ratings” may cause permanent damage to the device. This is a stress rating only and functional operation of the device at those or any other conditions above those indicated in the operational listings of this specification is not implied. Exposure to maximum rating conditions for extended periods may affect device reliability.

### RECOMMENDED OPERATING CONDITIONS (Notes 1 – 3)

Symbol	Parameter	Value
$V_{DD}$	Logic power supply voltage	3.0V to 5.5V
$V_{PP}$	Positive high voltage supply	+40V to $V_{NN} + 200V$
$V_{NN}$	Negative high voltage supply	-40V to -160V
$V_{IH}$	High level input voltage	$0.9V_{DD}$ to $V_{DD}$
$V_{IL}$	Low level input voltage	0V to $0.1 V_{DD}$
$V_{SIG}$	Analog signal voltage peak-to-peak	$V_{NN} + 10V$ to $V_{PP} - 10V$
$T_A$	Operating free air temperature	0°C to 70°C

**Note 1:** Power up/down sequence is arbitrary except GND must be powered-up first and powered-down last.

**2:**  $V_{SIG}$  must be  $V_{NN}$  and  $V_{PP}$  or floating during power up/down transition.

**3:** Rise and fall times of power supplies  $V_{DD}$ ,  $V_{PP}$ , and  $V_{NN}$  should not be less than 1.0msec.

# HV2601 / HV2701

## DC ELECTRICAL CHARACTERISTICS

Electrical Specifications: Over recommended operating conditions unless otherwise noted.											
Parameter	Symbol	0°C		25°C			70°C		Units	Conditions	
		Min	Max	Min	Typ	Max	Min	Max			
Small signal switch ON-resistance	R <sub>ONS</sub>	-	30	-	26	38	-	48	Ω	I <sub>SIG</sub> = 5.0 mA, V <sub>PP</sub> = +40V	
		-	25	-	22	27	-	32		I <sub>SIG</sub> = 200 mA, V <sub>NN</sub> = -160V	
		-	25	-	22	27	-	30		I <sub>SIG</sub> = 5.0 mA, V <sub>PP</sub> = +100V	
		-	18	-	18	24	-	27		I <sub>SIG</sub> = 200 mA, V <sub>NN</sub> = -100V	
		-	23	-	20	25	-	30		I <sub>SIG</sub> = 5.0 mA, V <sub>PP</sub> = +160V	
		-	22	-	16	25	-	27		I <sub>SIG</sub> = 200 mA, V <sub>NN</sub> = -40V	
Small signal switch ON-resistance matching	ΔR <sub>ONS</sub>	-	20	-	5.0	20	-	20	%	I <sub>SIG</sub> = 5.0mA, V <sub>PP</sub> = +100V, V <sub>NN</sub> = -100V	
Large signal switch ON-resistance	R <sub>ONL</sub>	-	-	-	15	-	-	-	Ω	V <sub>SIG</sub> = V <sub>PP</sub> -10V, I <sub>SIG</sub> = 1.0A	
Value of output bleed resistor (HV2701 only)	R <sub>INT</sub>	-	-	20	35	50	-	-	kΩ	Output Switch to R <sub>GND</sub> I <sub>RINT</sub> = 0.5 mA	
Switch OFF leakage per switch	I <sub>SOL</sub>	-	5.0	-	1.0	10	-	15	μA	V <sub>SIG</sub> = V <sub>PP</sub> -10V and V <sub>NN</sub> +10V (Note 1)	
DC offset switch OFF	V <sub>OS</sub>	-	300	-	100	300	-	300	mV	HV2601:100 kΩ load HV2701: no load (Note 1)	
DC offset switch ON		-	500	-	100	500	-	500	mV		
Quiescent V <sub>PP</sub> supply current	I <sub>PPQ</sub>	-	-	-	10	50	-	-	μA	All switches OFF	
Quiescent V <sub>NN</sub> supply current	I <sub>NNQ</sub>	-	-	-	-10	-50	-	-	μA	All switches OFF	
Quiescent V <sub>PP</sub> supply current	I <sub>PPQ</sub>	-	-	-	10	50	-	-	μA	All switches ON, I <sub>SW</sub> = 5.0 mA	
Quiescent V <sub>NN</sub> supply current	I <sub>NNQ</sub>	-	-	-	-10	-50	-	-	μA	All switches ON, I <sub>SW</sub> = 5.0 mA	
Switch output peak current	I <sub>SW</sub>	-	3.0	-	3.0	2.0	-	2.0	A	V <sub>SIG</sub> duty cycle < 0.1%	
Output switching frequency	f <sub>SW</sub>	-	-	-	-	50	-	-	kHz	Duty cycle = 50%	
Average V <sub>PP</sub> supply current	I <sub>PP</sub>	-	6.5	-	-	7.0	-	8.0	mA	All output switches are turning ON and OFF at 50 kHz with no load.	
		-	4.0	-	-	5.5	-	5.5			V <sub>PP</sub> = +100V, V <sub>NN</sub> = -100V
		-	4.0	-	-	5.0	-	5.5			V <sub>PP</sub> = +160V, V <sub>NN</sub> = -40V
Average V <sub>NN</sub> supply current	I <sub>NN</sub>	-	6.5	-	-	7.0	-	8.0	mA	All output switches are turning ON and OFF at 50 kHz with no load.	
		-	4.0	-	-	5.0	-	5.5			V <sub>PP</sub> = +100V, V <sub>NN</sub> = -100V
		-	4.0	-	-	5.0	-	5.5			V <sub>PP</sub> = +160V, V <sub>NN</sub> = -40V
Average V <sub>DD</sub> supply current	I <sub>DD</sub>	-	4.0	-	-	4.0	-	4.0	mA	f <sub>CLK</sub> = 5.0 MHz, V <sub>DD</sub> = 5.0V	

## DC ELECTRICAL CHARACTERISTICS (CONTINUED)

**Electrical Specifications:** Over recommended operating conditions unless otherwise noted.

Parameter	Symbol	0°C		25°C			70°C		Units	Conditions
		Min	Max	Min	Typ	Max	Min	Max		
Quiescent $V_{DD}$ supply current	$I_{DDQ}$	-	10	-	-	10	-	10	$\mu\text{A}$	All logic inputs are static
Data out source current	$I_{SOR}$	0.45	-	0.45	0.70	-	0.40	-	mA	$V_{OUT} = V_{DD} - 0.7V$
Data out sink current	$I_{SINK}$	0.45	-	0.45	0.70	-	0.40	-	mA	$V_{OUT} = 0.7V$
Logic input capacitance	$C_{IN}$	-	10	-	-	10	-	10	pF	-

**Note 1:** See [Figure 3-1](#).

# HV2601 / HV2701

## AC ELECTRICAL CHARACTERISTICS

Electrical Specifications: $V_{DD}=5.0V$ , $t_R = t_F \leq 5.0$ ns, 50% duty cycle, $C_{LOAD} = 20$ pF, unless otherwise noted.										
Parameter	Symbol	0°C		25°C			70°C		Units	Conditions
		Min	Max	Min	Typ	Max	Min	Max		
Set up time before $\overline{LE}$ rises	$t_{SD}$	25	-	25	-	-	25	-	ns	-
Time width of $\overline{LE}$	$t_{WLE}$	56	-	-	56	-	56	-	ns	$V_{DD} = 3.0V$
		12	-	-	12	-	12	-		$V_{DD} = 5.0V$
Clock delay time to data out	$t_{DO}$	50	100	50	78	100	50	100	ns	$V_{DD} = 3.0V$
		15	40	15	30	40	15	40		$V_{DD} = 5.0V$
Time width of CLR	$t_{WCLR}$	55	-	55	-	-	55	-	ns	-
Set up time data to clock	$t_{SU}$	21	-	-	21	-	21	-	ns	$V_{DD} = 3.0V$
		7.0	-	-	7.0	-	7.0	-		$V_{DD} = 5.0V$
Hold time data from clock	$t_H$	2.0	-	2.0	-	-	2.0	-	ns	$V_{DD} = 3.0$ or $5.0V$
Clock frequency	$f_{CLK}$	-	8.0	-	-	8.0	-	8.0	MHz	$V_{DD} = 3.0V$
		-	20	-	-	20	-	20		$V_{DD} = 5.0V$
Clock rise and fall times	$t_R, t_F$	-	50	-	-	50	-	50	ns	-
Turn ON time	$T_{ON}$	-	5.0	-	-	5.0	-	5.0	$\mu s$	$V_{SIG} = V_{PP} - 10V$ , $R_{LOAD} = 10k\Omega$ (Note 1)
Turn OFF time	$T_{OFF}$	-	5.0	-	-	5.0	-	5.0	$\mu s$	$V_{SIG} = V_{PP} - 10V$ , $R_{LOAD} = 10k\Omega$ (Note 1)
Maximum $V_{SIG}$ slew rate	dv/dt	-	20	-	-	20	-	20	v/ns	$V_{PP} = +40V$ , $V_{NN} = -160V$
		-	20	-	-	20	-	20		$V_{PP} = +100V$ , $V_{NN} = -100V$
		-	20	-	-	20	-	20		$V_{PP} = +160V$ , $V_{NN} = -40V$
OFF isolation	$K_O$	-30	-	-30	-33	-	-30	-	dB	$f = 5.0MHz$ , $1.0k\Omega//15pF$ load (Note 1)
		-58	-	-58	-	-	-58	-		$f = 5.0MHz$ , $50\Omega$ load (Note 1)
Switch crosstalk	$K_{CR}$	-60	-	-60	-70	-	-60	-	dB	$f = 5.0MHz$ , $50\Omega$ load (Note 1)
Output switch isolation diode current	$I_{ID}$	-	300	-	-	300	-	300	mA	300ns pulse width, 2.0% duty cycle (Note 1)
OFF capacitance SW to GND	$C_{SG(OFF)}$	5.0	17	5.0	12	17	5.0	17	pF	0V, $f = 1.0MHz$
ON capacitance SW to GND	$C_{SG(ON)}$	25	50	25	38	50	25	50	pF	0V, $f = 1.0MHz$
Output voltage spike	+ $V_{SPK}$	-	-	-	-	150	-	-	mV	$V_{PP} = +40V$ , $V_{NN} = -160V$ , $R_{LOAD} = 50\Omega$ (Note 1)
	- $V_{SPK}$	-	-	-	-	150	-	-		
	+ $V_{SPK}$	-	-	-	-	150	-	-		
	- $V_{SPK}$	-	-	-	-	150	-	-		
	+ $V_{SPK}$	-	-	-	-	150	-	-		
Charge injection	QC	-	-	-	820	-	-	-	pC	$V_{PP} = +40V$ , $V_{NN} = -160V$ , $V_{SIG} = 0V$ (Note 1)
		-	-	-	600	-	-	-		$V_{PP} = +100V$ , $V_{NN} = -100V$ , $V_{SIG} = 0V$ (Note 1)
		-	-	-	350	-	-	-		$V_{PP} = +160V$ , $V_{NN} = -40V$ , $V_{SIG} = 0V$ (Note 1)

Note 1: See Figure 3-1.

## 2.0 PIN DESCRIPTION

The locations of the pads/balls are listed in [Package Types](#).

**TABLE 2-1: PIN DESCRIPTION: 42-BALL BUMPED DIE PACKAGE**

Pin #	HV2601	HV2701	Description
1	NC	RGND	No connect/Ground for bleed resistor
2	V <sub>PP</sub>	V <sub>PP</sub>	Positive supply voltage
3	V <sub>NN</sub>	V <sub>NN</sub>	Negative supply voltage
4	D <sub>OUT</sub>	D <sub>OUT</sub>	Data out logic output
5	CLR	CLR	Latch clear logic input
6	CLK	CLK	Clock logic input for shift register
7	GND	GND	Ground
8	SW15A	SW15A	Analog switch 15 terminal A
9	SW15B	SW15B	Analog switch 15 terminal B
10	$\overline{LE}$	$\overline{LE}$	Latch-enable logic input, low active
11	V <sub>DD</sub>	V <sub>DD</sub>	Logic supply voltage
12	SW0A	SW0A	Analog switch 0 terminal A
13	SW0B	SW0B	Analog switch 0 terminal B
14	SW14A	SW14A	Analog switch 14 terminal A
15	SW14B	SW14B	Analog switch 14 terminal B
16	D <sub>IN</sub>	D <sub>IN</sub>	Data in logic input
17	SW1A	SW1A	Analog switch 1 terminal A
18	SW1B	SW1B	Analog switch 1 terminal B
19	SW13A	SW13A	Analog switch 13 terminal A
20	SW13B	SW13B	Analog switch 13 terminal B
21	SW2A	SW2A	Analog switch 2 terminal A
22	SW2B	SW2B	Analog switch 2 terminal B
23	SW12A	SW12A	Analog switch 12 terminal A
24	SW12B	SW12B	Analog switch 12 terminal B
25	SW3A	SW3A	Analog switch 3 terminal A
26	SW3B	SW3B	Analog switch 3 terminal B
27	SW11A	SW11A	Analog switch 11 terminal A
28	SW11B	SW11B	Analog switch 11 terminal B
29	SW9B	SW9B	Analog switch 9 terminal B
30	SW8B	SW8B	Analog switch 8 terminal B
31	SW7A	SW7A	Analog switch 7 terminal A
32	SW6A	SW6A	Analog switch 6 terminal A
33	SW4A	SW4A	Analog switch 4 terminal A
34	SW4B	SW4B	Analog switch 4 terminal B
35	SW10B	SW10B	Analog switch 10 terminal B
36	SW10A	SW10A	Analog switch 10 terminal A
37	SW9A	SW9A	Analog switch 9 terminal A
38	SW8A	SW8A	Analog switch 8 terminal A
39	SW7B	SW7B	Analog switch 7 terminal B
40	SW6B	SW6B	Analog switch 6 terminal B
41	SW5B	SW5B	Analog switch 5 terminal B
42	SW5A	SW5A	Analog switch 5 terminal A

# HV2601 / HV2701

**TABLE 2-2: PIN DESCRIPTION: 48-LEAD LQFP**

Pin #	HV2601	HV2701	Description
1	NC	NC	No connect
2	NC	NC	No connect
3	SW4B	SW4B	Analog switch 4 terminal B
4	SW4A	SW4A	Analog switch 4 terminal A
5	SW3B	SW3B	Analog switch 3 terminal B
6	SW3A	SW3A	Analog switch 3 terminal A
7	SW2B	SW2B	Analog switch 2 terminal B
8	SW2A	SW2A	Analog switch 2 terminal A
9	SW1B	SW1B	Analog switch 1 terminal B
10	SW1A	SW1A	Analog switch 1 terminal A
11	SW0B	SW0B	Analog switch 0 terminal B
12	SW0A	SW0A	Analog switch 0 terminal A
13	V <sub>NN</sub>	V <sub>NN</sub>	Negative supply voltage
14	NC	NC	No connect
15	V <sub>PP</sub>	V <sub>PP</sub>	Positive supply voltage
16	NC	NC	No connect
17	GND	GND	Ground
18	V <sub>DD</sub>	V <sub>DD</sub>	Logic supply voltage
19	D <sub>IN</sub>	D <sub>IN</sub>	Data in logic input
20	CLK	CLK	Clock logic input for shift register
21	$\overline{LE}$	$\overline{LE}$	Latch-enable logic input, low active
22	CLR	CLR	Latch clear logic input
23	D <sub>OUT</sub>	D <sub>OUT</sub>	Data out logic output
24	NC	RGND	No connect/Ground for bleed resistor
25	SW15B	SW15B	Analog switch 15 terminal B
26	SW15A	SW15A	Analog switch 15 terminal A
27	SW14B	SW14B	Analog switch 14 terminal B
28	SW14A	SW14A	Analog switch 14 terminal A
29	SW13B	SW13B	Analog switch 13 terminal B
30	SW13A	SW13A	Analog switch 13 terminal A
31	SW12B	SW12B	Analog switch 12 terminal B
32	SW12A	SW12A	Analog switch 12 terminal A
33	SW11B	SW11B	Analog switch 11 terminal B
34	SW11A	SW11A	Analog switch 11 terminal A
35	NC	NC	No connect
36	NC	NC	No connect
37	SW10B	SW10B	Analog switch 10 terminal B
38	SW10A	SW10A	Analog switch 10 terminal A
39	SW9B	SW9B	Analog switch 9 terminal B
40	SW9A	SW9A	Analog switch 9 terminal A
41	SW8B	SW8B	Analog switch 8 terminal B
42	SW8A	SW8A	Analog switch 8 terminal A
43	SW7B	SW7B	Analog switch 7 terminal B



# HV2601 / HV2701

**TABLE 2-2: PIN DESCRIPTION: 48-LEAD LQFP**

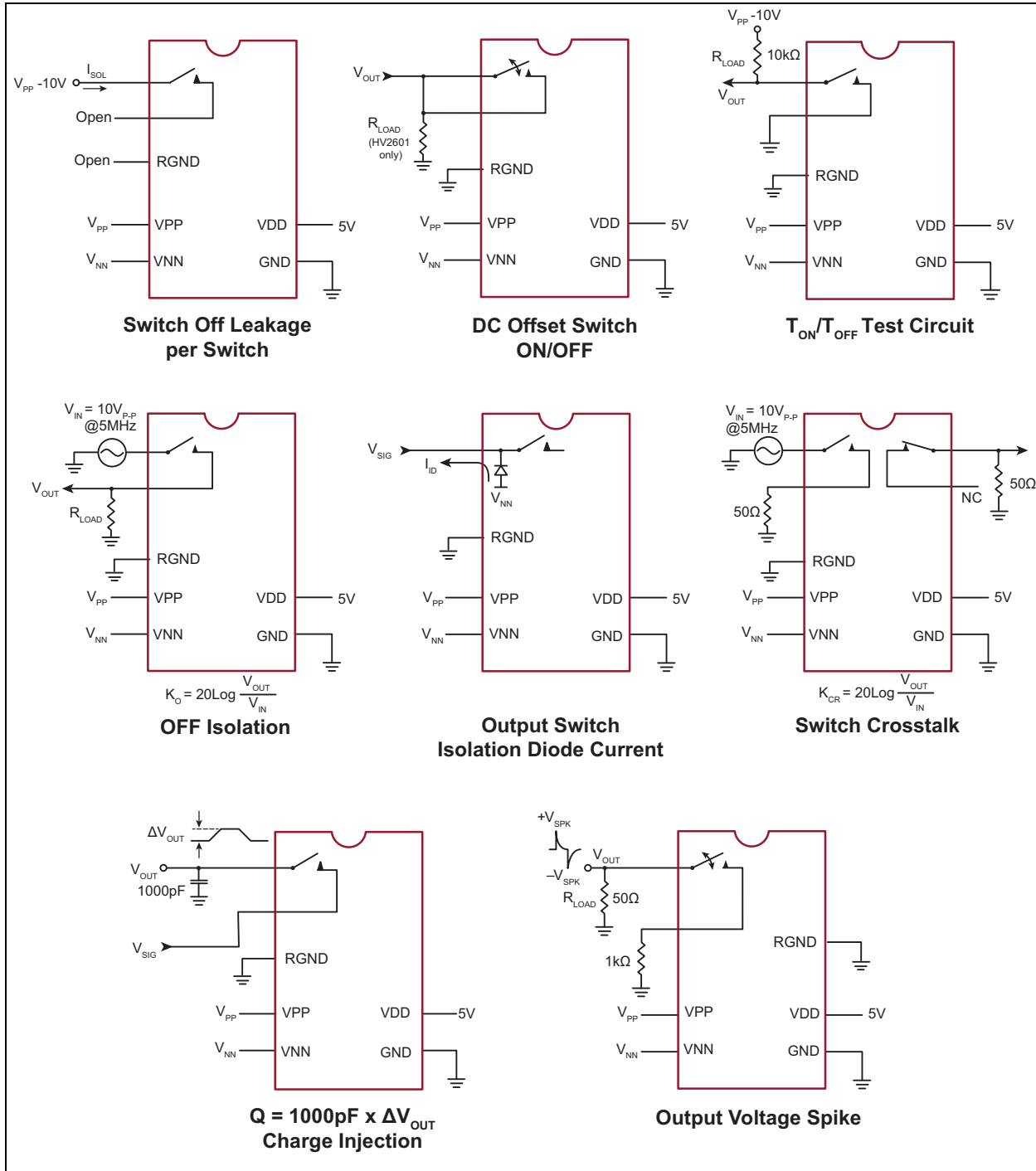
Pin #	HV2601	HV2701	Description
44	SW7A	SW7A	Analog switch 7 terminal A
45	SW6B	SW6B	Analog switch 6 terminal B
46	SW6A	SW6A	Analog switch 6 terminal A
47	SW5B	SW5B	Analog switch 5 terminal B
48	SW5A	SW5A	Analog switch 5 terminal A

# HV2601 / HV2701

## 3.0 DETAILED DESCRIPTION

### 3.1 Application Information

FIGURE 3-1: TEST CIRCUITS

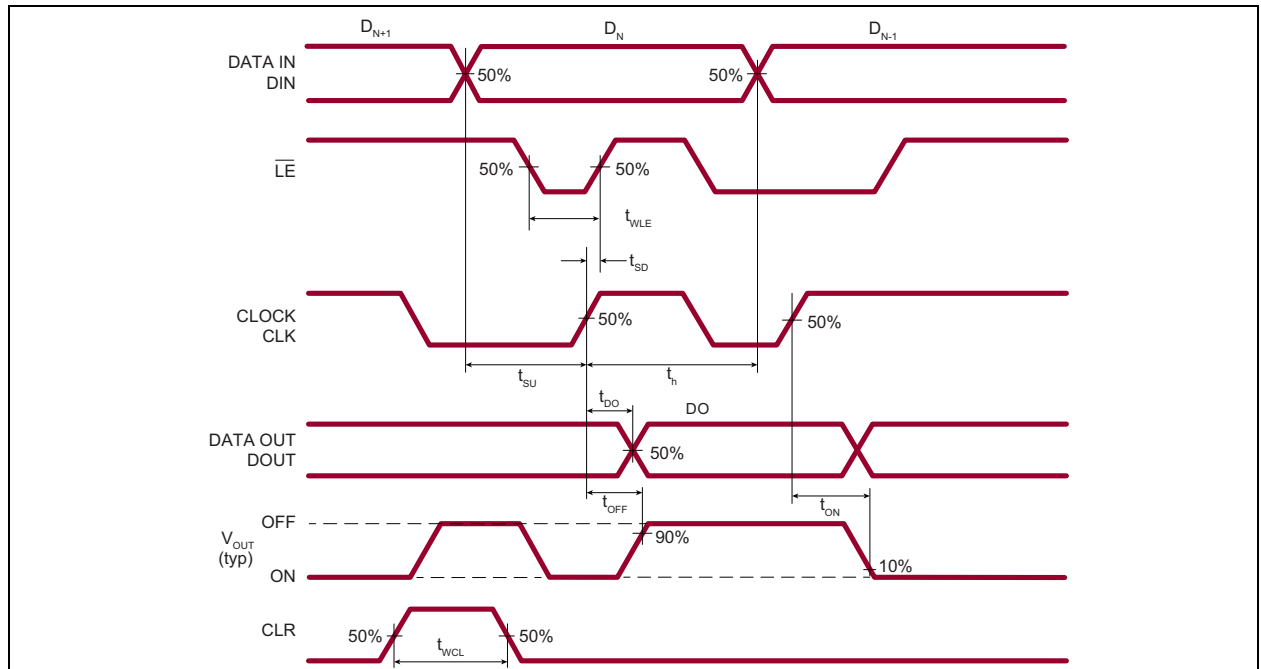


**TABLE 3-1: LOGIC FUNCTION TABLE**

D0	D1	...	D7	D8	...	D15	LE	CLR	SW0	SW1	...	SW7	SW8	...	SW15
L	-		-	-		-	L	L	OFF	-		-	-		-
H	-		-	-		-	L	L	ON	-		-	-		-
-	L		-	-		-	L	L	-	OFF		-	-		-
-	H		-	-		-	L	L	-	ON		-	-		-
-	-		-	-		-	L	L	-	-		-	-		-
-	-		-	-		-	L	L	-	-		-	-		-
-	-		L	-		-	L	L	-	-		OFF	-		-
-	-		H	-		-	L	L	-	-		ON	-		-
-	-	...	-	L	...	-	L	L	-	-	...	-	OFF	...	-
-	-		-	H		-	L	L	-	-		-	ON		-
-	-		-	-		-	L	L	-	-		-	-		-
-	-		-	-		-	L	L	-	-		-	-		-
-	-		-	-		-	L	L	-	-		-	-		-
-	-		-	-		-	L	L	-	-		-	-		-
-	-		-	-		-	L	L	-	-		-	-		-
-	-		-	-		L	L	L	-	-		-	-		OFF
-	-		-	-		H	L	L	-	-		-	-		ON
X	X	X	X	X	X	X	H	L	HOLD PREVIOUS STATE						
X	X	X	X	X	X	X	X	H	ALL SWITCHES OFF						

- Note 1:** The 16 switches operate independently.
- 2:** Serial data is clocked in on the L to H transition of the CLK.
- 3:** All 16 switches go to a state retaining their latched condition at the rising edge of  $\overline{LE}$ . When  $\overline{LE}$  is low the shift registers data flow through the latch.
- 4:**  $D_{OUT}$  is high when data in the shift register 15 is high.
- 5:** Shift registers clocking has no effect on the switch states if  $\overline{LE}$  is high.
- 6:** The CLR clear input overrides all other inputs.

**FIGURE 3-2: LOGIC TIMING WAVEFORMS**

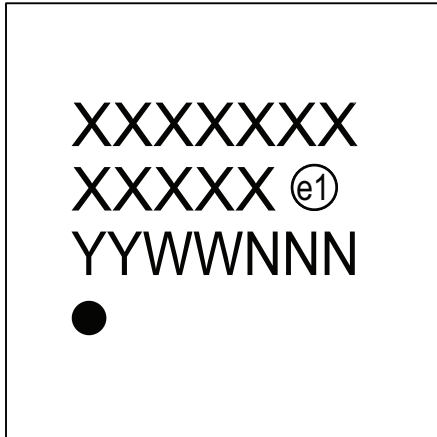


# HV2601 / HV2701

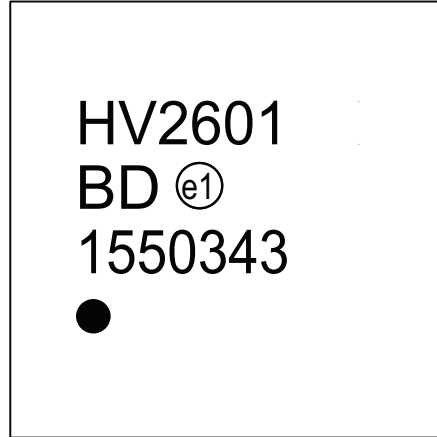
## 4.0 PACKAGING INFORMATION

### 4.1 Package Marking Information

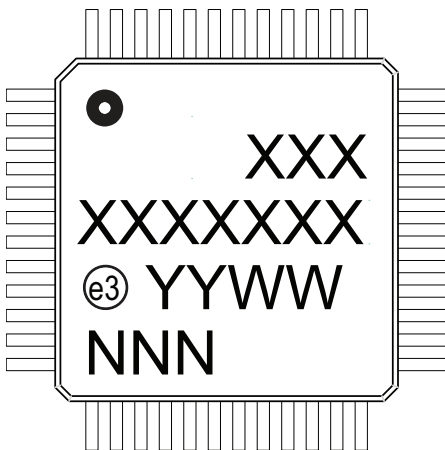
42-ball Bumped Die



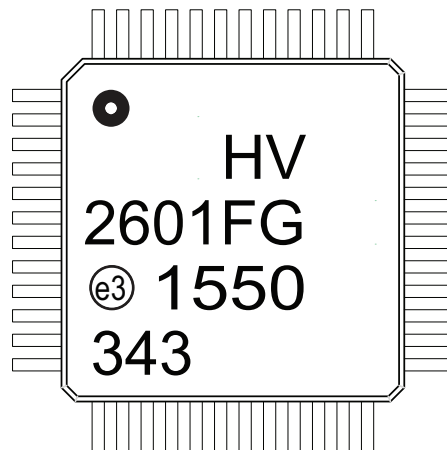
Example



48-lead LQFP



Example

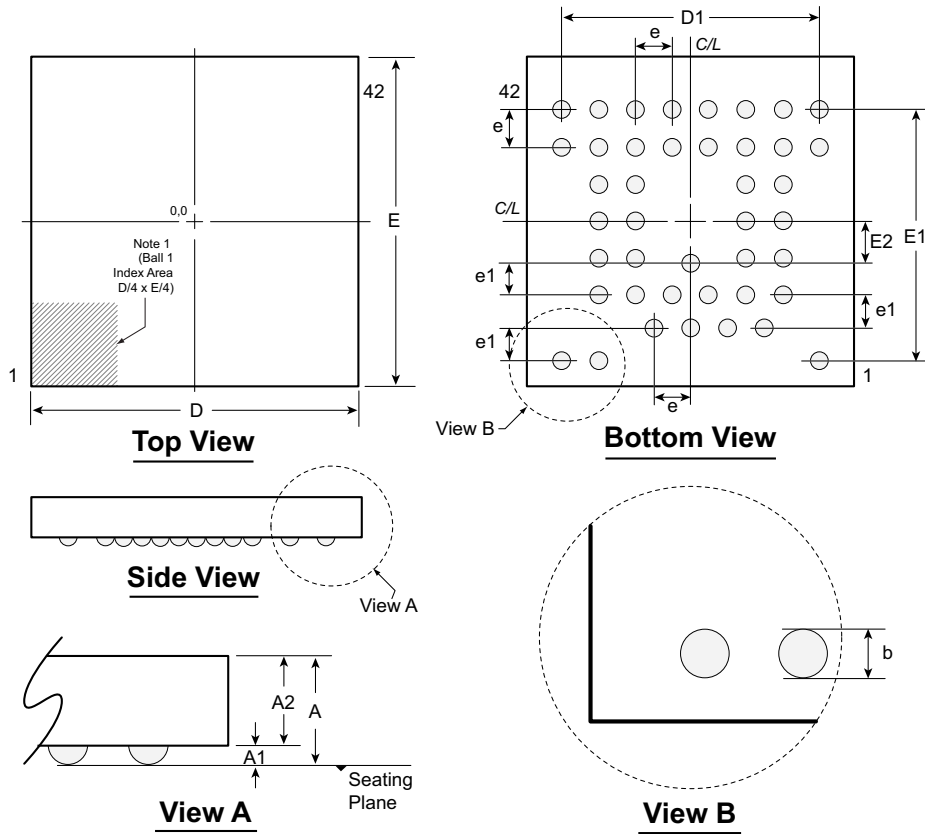


**Legend:** XX...X Product Code or Customer-specific information  
Y Year code (last digit of calendar year)  
YY Year code (last 2 digits of calendar year)  
WW Week code (week of January 1 is week '01')  
NNN Alphanumeric traceability code  
(e3) Pb-free JEDEC® designator for Matte Tin (Sn)  
\* This package is Pb-free. The Pb-free JEDEC designator (e3) can be found on the outer packaging for this package.

**Note:** In the event the full Microchip part number cannot be marked on one line, it will be carried over to the next line, thus limiting the number of available characters for product code or customer-specific information. Package may or not include the corporate logo.

## 42-Ball Bumped Die Package Outline (BD)

5.29x5.30mm body, 1.02mm height (max), 0.52 / 0.60mm pitch



**Notes:** For the most current package drawings, See the Microchip Packaging Specification at [www.microchip.com/packaging](http://www.microchip.com/packaging).

**Notes:**

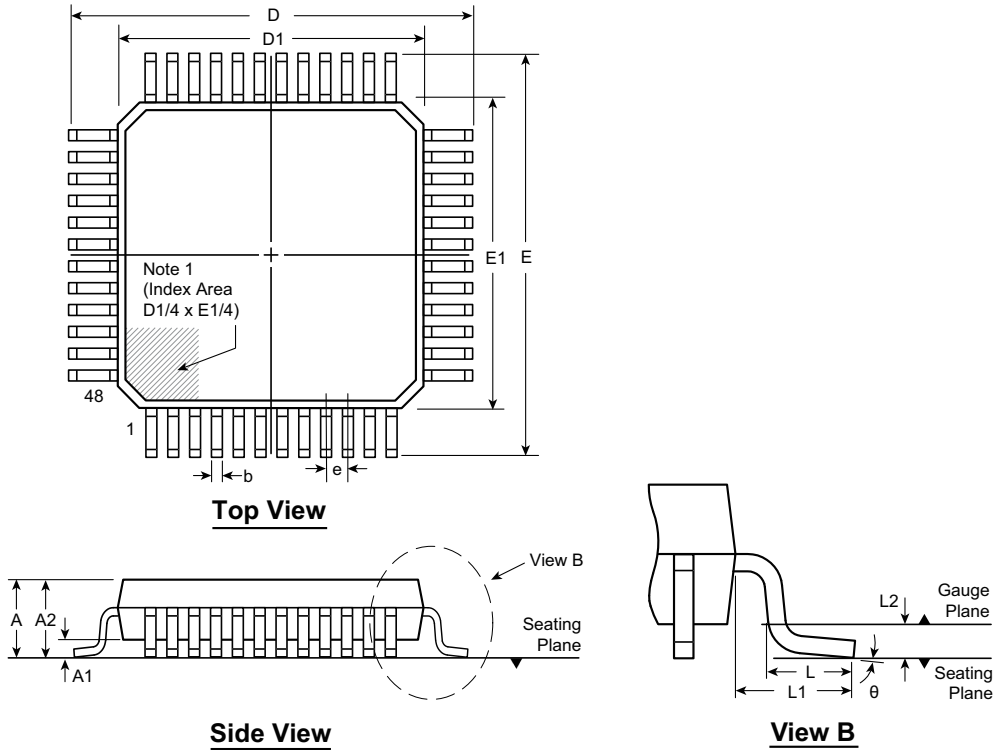
- Ball 1 identifier must be located in the index area indicated. Ball 1 identifier can be: a molded mark/identifier; an embedded metal marker; or a printed indicator.

Symbol	A	A1	A2	b	D	D1	E	E1	E2	e	e1	
Dimension (mm)	MIN	0.91	0.21	0.70	0.29	5.19	4.20 BSC	5.20	4.04 BSC	0.68 BSC	0.60 BSC	0.52 BSC
	NOM	0.965	0.24	0.725	0.32	5.29		5.30				
	MAX	1.02	0.27	0.75	0.35	5.39		5.40				

**Note:** For more information about ball coordinates, contact Microchip sales.

# HV2601 / HV2701

## 48-Lead LQFP Package Outline (FG) 7.00x7.00mm body, 1.60mm height (max), 0.50mm pitch



Note: For the most current package drawings, see the Microchip Packaging Specification at [www.microchip.com/packaging](http://www.microchip.com/packaging).

**Note:**

1. A Pin 1 identifier must be located in the index area indicated. The Pin 1 identifier can be: a molded mark/identifier; an embedded metal marker; or a printed indicator.

Symbol	A	A1	A2	b	D	D1	E	E1	e	L	L1	L2	$\theta$	
Dimension (mm)	MIN	1.40*	0.05	1.35	0.17	8.80*	6.80*	8.80*	6.80*	0.50 BSC	0.45	1.00 REF	0.25 BSC	0°
	NOM	-	-	1.40	0.22	9.00	7.00	9.00	7.00		0.60			3.5°
	MAX	1.60	0.15	1.45	0.27	9.20*	7.20*	9.20*	7.20*		0.75			7°

JEDEC Registration MS-026, Variation BBC, Issue D, Jan. 2001.

\* This dimension is not specified in the JEDEC drawing.

Drawings are not to scale.

## APPENDIX A: REVISION HISTORY

### Revision A (December 2015)

- Converted Supertex Doc #s DSFP-HV2601 and DSFP-HV2701 to Microchip DS20005391B.
- Combined HV2601/HV2701 into one document.
- Revised **Section 4.0 “Packaging Information”**
- Removed package GA from the data sheet.
- Made minor text changes throughout.

### Revision B (March 2016)

- Moved **“Block Diagram”** to page 2 and made a minor change for clarity.
- Removed Confidential status from document.

# HV2601 / HV2701

## PRODUCT IDENTIFICATION SYSTEM

To order or obtain information, e.g., on pricing or delivery, refer to the factory or the listed sales office.

<u>PART NO.</u>	<u>XX</u>	-	<u>X</u>	-	<u>X</u>
Device	Package		Environmental		Media Type
Device:	HV2601 =	16-Channel HV Analog Switch			
	HV2701 =	16-Channel HV Analog Switch with Bleed Resistors			
Package:	BD =	42-Ball Bumped Die			
	FG =	48-lead LQFP			
Environmental	G =	Lead (Pb)-free/ROHS-compliant package (not used for BD packages)			
Media Type:	(blank) =	250/Tray for FG package			
	M931 =	1000/Reel for FG package			
	M936 =	2500/Reel for BD package			

**Examples:**

- a) HV2601FG-G: 48-lead LQFP package, 250/Tray
- b) HV2601FG-G-M931: 48-lead LQFP package, 1000/Reel
- c) HV2701BD-M936: 42-ball Bumped Die, 2500/Reel

**Note:** HV2601BD and HV2701BD are RoHS-compliant products



---

**Note the following details of the code protection feature on Microchip devices:**

- Microchip products meet the specification contained in their particular Microchip Data Sheet.
- Microchip believes that its family of products is one of the most secure families of its kind on the market today, when used in the intended manner and under normal conditions.
- There are dishonest and possibly illegal methods used to breach the code protection feature. All of these methods, to our knowledge, require using the Microchip products in a manner outside the operating specifications contained in Microchip's Data Sheets. Most likely, the person doing so is engaged in theft of intellectual property.
- Microchip is willing to work with the customer who is concerned about the integrity of their code.
- Neither Microchip nor any other semiconductor manufacturer can guarantee the security of their code. Code protection does not mean that we are guaranteeing the product as “unbreakable.”

Code protection is constantly evolving. We at Microchip are committed to continuously improving the code protection features of our products. Attempts to break Microchip's code protection feature may be a violation of the Digital Millennium Copyright Act. If such acts allow unauthorized access to your software or other copyrighted work, you may have a right to sue for relief under that Act.

---

Information contained in this publication regarding device applications and the like is provided only for your convenience and may be superseded by updates. It is your responsibility to ensure that your application meets with your specifications. MICROCHIP MAKES NO REPRESENTATIONS OR WARRANTIES OF ANY KIND WHETHER EXPRESS OR IMPLIED, WRITTEN OR ORAL, STATUTORY OR OTHERWISE, RELATED TO THE INFORMATION, INCLUDING BUT NOT LIMITED TO ITS CONDITION, QUALITY, PERFORMANCE, MERCHANTABILITY OR FITNESS FOR PURPOSE. Microchip disclaims all liability arising from this information and its use. Use of Microchip devices in life support and/or safety applications is entirely at the buyer's risk, and the buyer agrees to defend, indemnify and hold harmless Microchip from any and all damages, claims, suits, or expenses resulting from such use. No licenses are conveyed, implicitly or otherwise, under any Microchip intellectual property rights unless otherwise stated.

*Microchip received ISO/TS-16949:2009 certification for its worldwide headquarters, design and wafer fabrication facilities in Chandler and Tempe, Arizona; Gresham, Oregon and design centers in California and India. The Company's quality system processes and procedures are for its PIC® MCUs and dsPIC® DSCs, KEELOQ® code hopping devices, Serial EEPROMs, microperipherals, nonvolatile memory and analog products. In addition, Microchip's quality system for the design and manufacture of development systems is ISO 9001:2000 certified.*

**QUALITY MANAGEMENT SYSTEM  
CERTIFIED BY DNV  
= ISO/TS 16949 =**

### Trademarks

The Microchip name and logo, the Microchip logo, AnyRate, dsPIC, FlashFlex, flexPWR, Heldo, JukeBlox, KeeLoq, KeeLoq logo, Klear, LANCheck, LINK MD, MediaLB, MOST, MOST logo, MPLAB, OptoLyzer, PIC, PICSTART, PIC32 logo, RightTouch, SpyNIC, SST, SST Logo, SuperFlash and UNI/O are registered trademarks of Microchip Technology Incorporated in the U.S.A. and other countries.

ClockWorks, The Embedded Control Solutions Company, ETHERSYNCH, Hyper Speed Control, HyperLight Load, IntelliMOS, mTouch, Precision Edge, and QUIET-WIRE are registered trademarks of Microchip Technology Incorporated in the U.S.A.

Analog-for-the-Digital Age, Any Capacitor, AnyIn, AnyOut, BodyCom, chipKIT, chipKIT logo, CodeGuard, dsPICDEM, dsPICDEM.net, Dynamic Average Matching, DAM, ECAN, EtherGREEN, In-Circuit Serial Programming, ICSP, Inter-Chip Connectivity, JitterBlocker, KlearNet, KlearNet logo, MiWi, motorBench, MPASM, MPF, MPLAB Certified logo, MPLIB, MPLINK, MultiTRAK, NetDetach, Omniscient Code Generation, PICDEM, PICDEM.net, PICkit, PICtail, PureSilicon, RightTouch logo, REAL ICE, Ripple Blocker, Serial Quad I/O, SQL, SuperSwitcher, SuperSwitcher II, Total Endurance, TSHARC, USBCheck, VariSense, ViewSpan, WiperLock, Wireless DNA, and ZENA are trademarks of Microchip Technology Incorporated in the U.S.A. and other countries.

SQTP is a service mark of Microchip Technology Incorporated in the U.S.A.

Silicon Storage Technology is a registered trademark of Microchip Technology Inc. in other countries.

GestIC is a registered trademarks of Microchip Technology Germany II GmbH & Co. KG, a subsidiary of Microchip Technology Inc., in other countries.

All other trademarks mentioned herein are property of their respective companies.

© 2015-2016, Microchip Technology Incorporated, Printed in the U.S.A., All Rights Reserved.

ISBN: 978-1-5224-0342-5



# MICROCHIP

## Worldwide Sales and Service

### AMERICAS

#### Corporate Office

2355 West Chandler Blvd.  
Chandler, AZ 85224-6199  
Tel: 480-792-7200  
Fax: 480-792-7277  
Technical Support:  
<http://www.microchip.com/support>

Web Address:  
[www.microchip.com](http://www.microchip.com)

#### Atlanta

Duluth, GA  
Tel: 678-957-9614  
Fax: 678-957-1455

#### Austin, TX

Tel: 512-257-3370

#### Boston

Westborough, MA  
Tel: 774-760-0087  
Fax: 774-760-0088

#### Chicago

Itasca, IL  
Tel: 630-285-0071  
Fax: 630-285-0075

#### Cleveland

Independence, OH  
Tel: 216-447-0464  
Fax: 216-447-0643

#### Dallas

Addison, TX  
Tel: 972-818-7423  
Fax: 972-818-2924

#### Detroit

Novi, MI  
Tel: 248-848-4000

#### Houston, TX

Tel: 281-894-5983

#### Indianapolis

Noblesville, IN  
Tel: 317-773-8323  
Fax: 317-773-5453

#### Los Angeles

Mission Viejo, CA  
Tel: 949-462-9523  
Fax: 949-462-9608

#### New York, NY

Tel: 631-435-6000

#### San Jose, CA

Tel: 408-735-9110

#### Canada - Toronto

Tel: 905-673-0699  
Fax: 905-673-6509

### ASIA/PACIFIC

#### Asia Pacific Office

Suites 3707-14, 37th Floor  
Tower 6, The Gateway  
Harbour City, Kowloon

#### Hong Kong

Tel: 852-2943-5100  
Fax: 852-2401-3431

#### Australia - Sydney

Tel: 61-2-9868-6733  
Fax: 61-2-9868-6755

#### China - Beijing

Tel: 86-10-8569-7000  
Fax: 86-10-8528-2104

#### China - Chengdu

Tel: 86-28-8665-5511  
Fax: 86-28-8665-7889

#### China - Chongqing

Tel: 86-23-8980-9588  
Fax: 86-23-8980-9500

#### China - Dongguan

Tel: 86-769-8702-9880

#### China - Hangzhou

Tel: 86-571-8792-8115  
Fax: 86-571-8792-8116

#### China - Hong Kong SAR

Tel: 852-2943-5100  
Fax: 852-2401-3431

#### China - Nanjing

Tel: 86-25-8473-2460  
Fax: 86-25-8473-2470

#### China - Qingdao

Tel: 86-532-8502-7355  
Fax: 86-532-8502-7205

#### China - Shanghai

Tel: 86-21-5407-5533  
Fax: 86-21-5407-5066

#### China - Shenyang

Tel: 86-24-2334-2829  
Fax: 86-24-2334-2393

#### China - Shenzhen

Tel: 86-755-8864-2200  
Fax: 86-755-8203-1760

#### China - Wuhan

Tel: 86-27-5980-5300  
Fax: 86-27-5980-5118

#### China - Xian

Tel: 86-29-8833-7252  
Fax: 86-29-8833-7256

### ASIA/PACIFIC

#### China - Xiamen

Tel: 86-592-2388138  
Fax: 86-592-2388130

#### China - Zhuhai

Tel: 86-756-3210040  
Fax: 86-756-3210049

#### India - Bangalore

Tel: 91-80-3090-4444  
Fax: 91-80-3090-4123

#### India - New Delhi

Tel: 91-11-4160-8631  
Fax: 91-11-4160-8632

#### India - Pune

Tel: 91-20-3019-1500

#### Japan - Osaka

Tel: 81-6-6152-7160  
Fax: 81-6-6152-9310

#### Japan - Tokyo

Tel: 81-3-6880-3770  
Fax: 81-3-6880-3771

#### Korea - Daegu

Tel: 82-53-744-4301  
Fax: 82-53-744-4302

#### Korea - Seoul

Tel: 82-2-554-7200  
Fax: 82-2-558-5932 or  
82-2-558-5934

#### Malaysia - Kuala Lumpur

Tel: 60-3-6201-9857  
Fax: 60-3-6201-9859

#### Malaysia - Penang

Tel: 60-4-227-8870  
Fax: 60-4-227-4068

#### Philippines - Manila

Tel: 63-2-634-9065  
Fax: 63-2-634-9069

#### Singapore

Tel: 65-6334-8870  
Fax: 65-6334-8850

#### Taiwan - Hsin Chu

Tel: 886-3-5778-366  
Fax: 886-3-5770-955

#### Taiwan - Kaohsiung

Tel: 886-7-213-7828

#### Taiwan - Taipei

Tel: 886-2-2508-8600  
Fax: 886-2-2508-0102

#### Thailand - Bangkok

Tel: 66-2-694-1351  
Fax: 66-2-694-1350

### EUROPE

#### Austria - Wels

Tel: 43-7242-2244-39  
Fax: 43-7242-2244-393

#### Denmark - Copenhagen

Tel: 45-4450-2828  
Fax: 45-4485-2829

#### France - Paris

Tel: 33-1-69-53-63-20  
Fax: 33-1-69-30-90-79

#### Germany - Dusseldorf

Tel: 49-2129-3766400

#### Germany - Karlsruhe

Tel: 49-721-625370

#### Germany - Munich

Tel: 49-89-627-144-0  
Fax: 49-89-627-144-44

#### Italy - Milan

Tel: 39-0331-742611  
Fax: 39-0331-466781

#### Italy - Venice

Tel: 39-049-7625286

#### Netherlands - Drunen

Tel: 31-416-690399  
Fax: 31-416-690340

#### Poland - Warsaw

Tel: 48-22-3325737

#### Spain - Madrid

Tel: 34-91-708-08-90  
Fax: 34-91-708-08-91

#### Sweden - Stockholm

Tel: 46-8-5090-4654

#### UK - Wokingham

Tel: 44-118-921-5800  
Fax: 44-118-921-5820

07/14/15

# Mouser Electronics

Authorized Distributor

Click to View Pricing, Inventory, Delivery & Lifecycle Information:

## Microchip:

[HV2701FG-G](#) [HV2601FG-G](#) [HV2701GA-G](#) [HV2601FG-G M931](#) [HV2601BD M936](#) [HV2701BD M936](#) [HV2701FG-G](#)  
[M931](#) [HV2701BD-M936](#) [HV2601BD-M936](#) [HV2701FG-G-M931](#) [HV2601FG-G-M931](#)