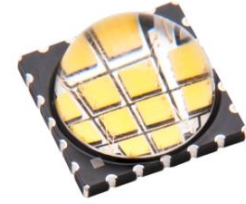


Cool White LED Emitter

LZC-00CW0R



Key Features

- High Luminous Flux Density 12-die Cool White LED
- More than 40 Watt power dissipation capability
- Small foot print – 9.0mm x 9.0mm
- Industry lowest thermal resistance per package size (0.7°C/W)
- Surface mount ceramic package with integrated glass lens
- Spatial color uniformity across radiation pattern
- Excellent Color Rendering Index
- JEDEC Level 1 for Moisture Sensitivity Level
- Lead (Pb) free and RoHS compliant
- Reflow solderable (up to 6 cycles)
- Emitter available with several MCPCB options
- Full suite of TIR secondary optics family available

Typical Applications

- General lighting
- Down lighting
- Architectural lighting
- Street lighting
- Stage and Studio lighting
- Refrigeration lighting
- Portable lighting

Description

The LZC-series 12-die White LED emitter has an electrical input power dissipation capability of more than 40 Watt electrical power in an extremely small package. With a small 9.0mm x 9.0mm ultra-small footprint, this package provides exceptional luminous flux density. The high quality materials used in the package are chosen to minimize stresses and optimize light output which results in superior reliability and lumen maintenance. The robust product design thrives in outdoor applications with high ambient temperatures and high humidity.

Part number options

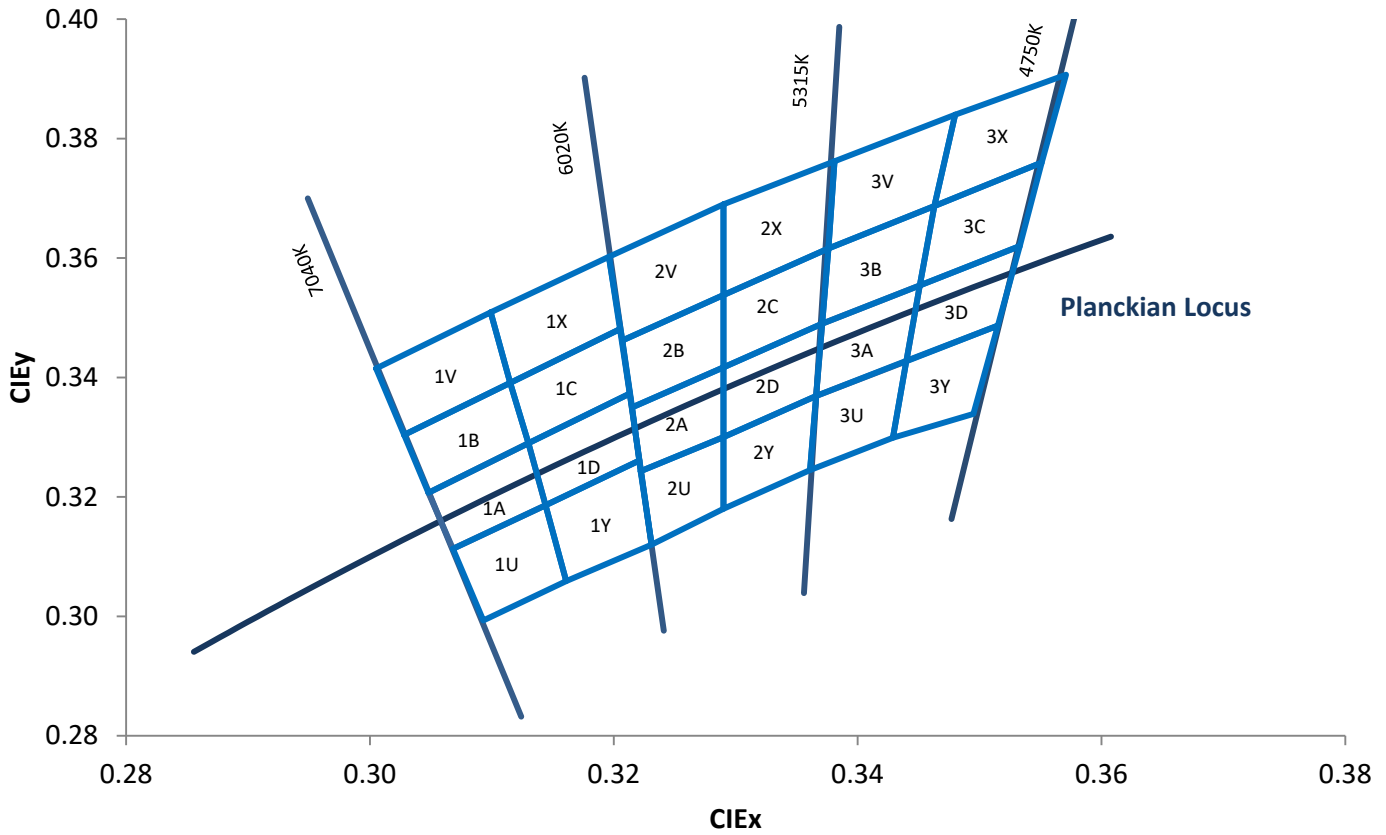
Base part number

| Part number | Description |
|-----------------|--|
| LZC-00CW0R-xxxx | LZC emitter |
| LZC-70CW0R-xxxx | LZC emitter on 1 channel 1x12 Star MCPCB |
| LZC-C0CW0R-xxxx | LZC emitter on 2 channel 2x6 Star MCPCB |

Bin kit option codes

| CW, Cool-White (5000K – 6500K) | | | |
|--------------------------------|--------------|--|--|
| Kit number suffix | Min flux Bin | Color Bin Ranges | Description |
| 0055 | B2 | 2U, 2Y, 3U, 2A, 2D, 3A, 2B, 2C, 3B, 2V, 2X, 3V | full distribution flux; 5500K ANSI CCT bin |
| 0065 | B2 | 1U, 1A, 1B, 1V, 1Y, 1D, 1C, 1X, 2U, 2A, 2B, 2V | full distribution flux; 6500K ANSI CCT bin |

Cool White Chromaticity Groups



Standard Chromaticity Groups plotted on excerpt from the CIE 1931 (2°) x-y Chromaticity Diagram. Coordinates are listed below in the table.

Cool White Bin Coordinates

| Bin code | CIE _x | CIE _y | Bin code | CIE _x | CIE _y | Bin code | CIE _x | CIE _y | Bin code | CIE _x | CIE _y |
|----------|------------------|------------------|----------|------------------|------------------|----------|------------------|------------------|----------|------------------|------------------|
| 1U | 0.3068 | 0.3113 | 1A | 0.3048 | 0.3207 | 1B | 0.3028 | 0.3304 | 1V | 0.3005 | 0.3415 |
| | 0.3144 | 0.3186 | | 0.313 | 0.329 | | 0.3115 | 0.3391 | | 0.3099 | 0.3509 |
| | 0.3161 | 0.3059 | | 0.3144 | 0.3186 | | 0.313 | 0.329 | | 0.3115 | 0.3391 |
| | 0.3093 | 0.2993 | | 0.3068 | 0.3113 | | 0.3048 | 0.3207 | | 0.3028 | 0.3304 |
| | 0.3068 | 0.3113 | | 0.3048 | 0.3207 | | 0.3028 | 0.3304 | | 0.3005 | 0.3415 |
| 1Y | 0.3144 | 0.3186 | 1D | 0.313 | 0.329 | 1C | 0.3115 | 0.3391 | 1X | 0.3099 | 0.3509 |
| | 0.3221 | 0.3261 | | 0.3213 | 0.3373 | | 0.3205 | 0.3481 | | 0.3196 | 0.3602 |
| | 0.3231 | 0.312 | | 0.3221 | 0.3261 | | 0.3213 | 0.3373 | | 0.3205 | 0.3481 |
| | 0.3161 | 0.3059 | | 0.3144 | 0.3186 | | 0.313 | 0.329 | | 0.3115 | 0.3391 |
| | 0.3144 | 0.3186 | | 0.313 | 0.329 | | 0.3115 | 0.3391 | | 0.3099 | 0.3509 |
| 2U | 0.3222 | 0.3243 | 2A | 0.3215 | 0.335 | 2B | 0.3207 | 0.3462 | 2V | 0.3196 | 0.3602 |
| | 0.329 | 0.33 | | 0.329 | 0.3417 | | 0.329 | 0.3538 | | 0.329 | 0.369 |
| | 0.329 | 0.318 | | 0.329 | 0.33 | | 0.329 | 0.3417 | | 0.329 | 0.3538 |
| | 0.3231 | 0.312 | | 0.3222 | 0.3243 | | 0.3215 | 0.335 | | 0.3207 | 0.3462 |
| | 0.3222 | 0.3243 | | 0.3215 | 0.335 | | 0.3207 | 0.3462 | | 0.3196 | 0.3602 |
| 2Y | 0.329 | 0.33 | 2D | 0.329 | 0.3417 | 2C | 0.329 | 0.3538 | 2X | 0.329 | 0.369 |
| | 0.3366 | 0.3369 | | 0.3371 | 0.349 | | 0.3376 | 0.3616 | | 0.3381 | 0.3762 |
| | 0.3361 | 0.3245 | | 0.3366 | 0.3369 | | 0.3371 | 0.349 | | 0.3376 | 0.3616 |
| | 0.329 | 0.318 | | 0.329 | 0.33 | | 0.329 | 0.3417 | | 0.329 | 0.3538 |
| | 0.329 | 0.33 | | 0.329 | 0.3417 | | 0.329 | 0.3538 | | 0.329 | 0.369 |
| 3U | 0.3366 | 0.3369 | 3A | 0.3371 | 0.349 | 3B | 0.3376 | 0.3616 | 3V | 0.3381 | 0.3762 |
| | 0.344 | 0.3428 | | 0.3451 | 0.3554 | | 0.3463 | 0.3687 | | 0.348 | 0.384 |
| | 0.3429 | 0.3299 | | 0.344 | 0.3427 | | 0.3451 | 0.3554 | | 0.3463 | 0.3687 |
| | 0.3361 | 0.3245 | | 0.3366 | 0.3369 | | 0.3371 | 0.349 | | 0.3376 | 0.3616 |
| | 0.3366 | 0.3369 | | 0.3371 | 0.349 | | 0.3376 | 0.3616 | | 0.3381 | 0.3762 |
| 3Y | 0.344 | 0.3428 | 3D | 0.3451 | 0.3554 | 3C | 0.3463 | 0.3687 | 3X | 0.348 | 0.384 |
| | 0.3515 | 0.3487 | | 0.3533 | 0.362 | | 0.3551 | 0.376 | | 0.3571 | 0.3907 |
| | 0.3495 | 0.3339 | | 0.3515 | 0.3487 | | 0.3533 | 0.362 | | 0.3551 | 0.376 |
| | 0.3429 | 0.3299 | | 0.344 | 0.3427 | | 0.3451 | 0.3554 | | 0.3463 | 0.3687 |
| | 0.344 | 0.3428 | | 0.3451 | 0.3554 | | 0.3463 | 0.3687 | | 0.348 | 0.384 |

Luminous Flux Bins

Table 1:

| Bin Code | Minimum Luminous Flux (Φ_v) @ $I_F = 700\text{mA}$ ^[1,2] (lm) | Maximum Luminous Flux (Φ_v) @ $I_F = 700\text{mA}$ ^[1,2] (lm) | Typical Luminous Flux (Φ_v) @ $I_F = 1000\text{mA}$ ^[2] (lm) |
|-----------------|--|--|---|
| B2 | 1,908 | 2,120 | 2,600 |
| C2 | 2,120 | 2,350 | 3,000 |
| D2 | 2,350 | 2,600 | 3,200 |
| E2 | 2,600 | 2,900 | 3,600 |
| F2 | 2,900 | 3,200 | 4,000 |

Notes for Table 1:

1. Luminous flux performance guaranteed within published operating conditions. LED Engin maintains a tolerance of $\pm 10\%$ on flux measurements.
2. Luminous Flux typical value is for all 12 LED dice operating concurrently at rated current.

Forward Voltage Bins

Table 2:

| Bin Code | Minimum Forward Voltage (V_F) @ $I_F = 700\text{mA}$ ^[1,2] (V) | Maximum Forward Voltage (V_F) @ $I_F = 700\text{mA}$ ^[1,2] (V) |
|-----------------|--|--|
| 0 | 36.0 | 43.2 |

Notes for Table 2:

1. LED Engin maintains a tolerance of $\pm 0.48\text{V}$ for forward voltage measurements.
2. Forward Voltage is binned with 12 LED dice connected in series. The actual LED is configured with two strings of 6 dice in series.

Absolute Maximum Ratings

Table 3:

| Parameter | Symbol | Value | Unit |
|---|-----------|---|------|
| DC Forward Current at $T_{jmax}=130C^{[1]}$ | I_F | 1200 | mA |
| DC Forward Current at $T_{jmax}=150C^{[1]}$ | I_F | 1000 | mA |
| Peak Pulsed Forward Current ^[2] | I_{FP} | 1500 | mA |
| Reverse Voltage | V_R | See Note 3 | V |
| Storage Temperature | T_{stg} | -40 ~ +150 | °C |
| Junction Temperature | T_J | 150 | °C |
| Soldering Temperature ^[4] | T_{sol} | 260 | °C |
| Allowable Reflow Cycles | | 6 | |
| ESD Sensitivity ^[5] | | > 8,000 V HBM Class 3B JESD22-A114-D | |

Notes for Table 3:

- Maximum DC forward current (per die) is determined by the overall thermal resistance and ambient temperature. Follow the curves in Figure 10 for current derating.
- Pulse forward current conditions: Pulse Width \leq 10msec and Duty cycle \leq 10%.
- LEDs are not designed to be reverse biased.
- Solder conditions per JEDEC 020D. See Reflow Soldering Profile Figure 5.
- LED Engin recommends taking reasonable precautions towards possible ESD damages and handling the LZ4-00CW40 in an electrostatic protected area (EPA). An EPA may be adequately protected by ESD controls as outlined in ANSI/ESD S6.1.

Optical Characteristics @ $T_C = 25^\circ C$

Table 4:

| Parameter | Symbol | Typical | Unit |
|---|-----------------|---------|---------|
| Luminous Flux (@ $I_F = 700mA^{[1]}$) | Φ_V | 2350 | lm |
| Luminous Flux (@ $I_F = 1000mA^{[1]}$) | Φ_V | 3000 | lm |
| Luminous Efficacy (@ $I_F = 350mA$) | | 112 | lm/W |
| Correlated Color Temperature | CCT | 5500 | K |
| Color Rendering Index (CRI) | R_a | >70 | |
| Viewing Angle ^[2] | $2\Theta_{1/2}$ | 110 | Degrees |

Notes for Table 4:

- Luminous flux typical value is for all 12 LED dice operating concurrently at rated current.
- Viewing Angle is the off-axis angle from emitter centerline where the luminous intensity is 1/2 of the peak value.

Electrical Characteristics @ $T_C = 25^\circ C$

Table 5:

| Parameter | Symbol | Typical | Unit |
|---|-------------------------|---------|-------|
| Forward Voltage (@ $I_F = 700mA^{[1]}$) | V_F | 37.8 | V |
| Forward Voltage (@ $I_F = 1000mA^{[1]}$) | V_F | 39.0 | V |
| Temperature Coefficient of Forward Voltage ^[1] | $\Delta V_F/\Delta T_J$ | -33.6 | mV/°C |
| Thermal Resistance (Junction to Case) | $R\Theta_{J-C}$ | 0.7 | °C/W |

Notes for Table 5:

- Forward Voltage is binned with 12 LED dice connected in series. The actual LED is configured with two strings of 6 dice in series.

IPC/JEDEC Moisture Sensitivity Level

Table 6 - IPC/JEDEC J-STD-20.1 MSL Classification:

| Level | Soak Requirements | | | | | |
|-------|-------------------|-------------------|--------------|-----------------|-------------|------------|
| | Floor Life | | Standard | | Accelerated | |
| | Time | Conditions | Time (hrs) | Conditions | Time (hrs) | Conditions |
| 1 | unlimited | ≤ 30°C/ 85% RH | 168 +5/-0 | 85°C/ 85% RH | n/a | n/a |

Notes for Table 6:

1. The standard soak time includes a default value of 24 hours for semiconductor manufacturer's exposure time (MET) between bake and bag and includes the maximum time allowed out of the bag at the distributor's facility.

Average Lumen Maintenance Projections

Lumen maintenance generally describes the ability of a lamp to retain its output over time. The useful lifetime for solid state lighting devices (Power LEDs) is also defined as Lumen Maintenance, with the percentage of the original light output remaining at a defined time period.

Based on long-term LM80 testing, LED Engin projects that the LZC Series will deliver, on average, 70% Lumen Maintenance at 70,000 hours of operation at a forward current of 700 mA per die. This projection is based on constant current operation with junction temperature maintained at or below 110°C.

Mechanical Dimensions (mm)

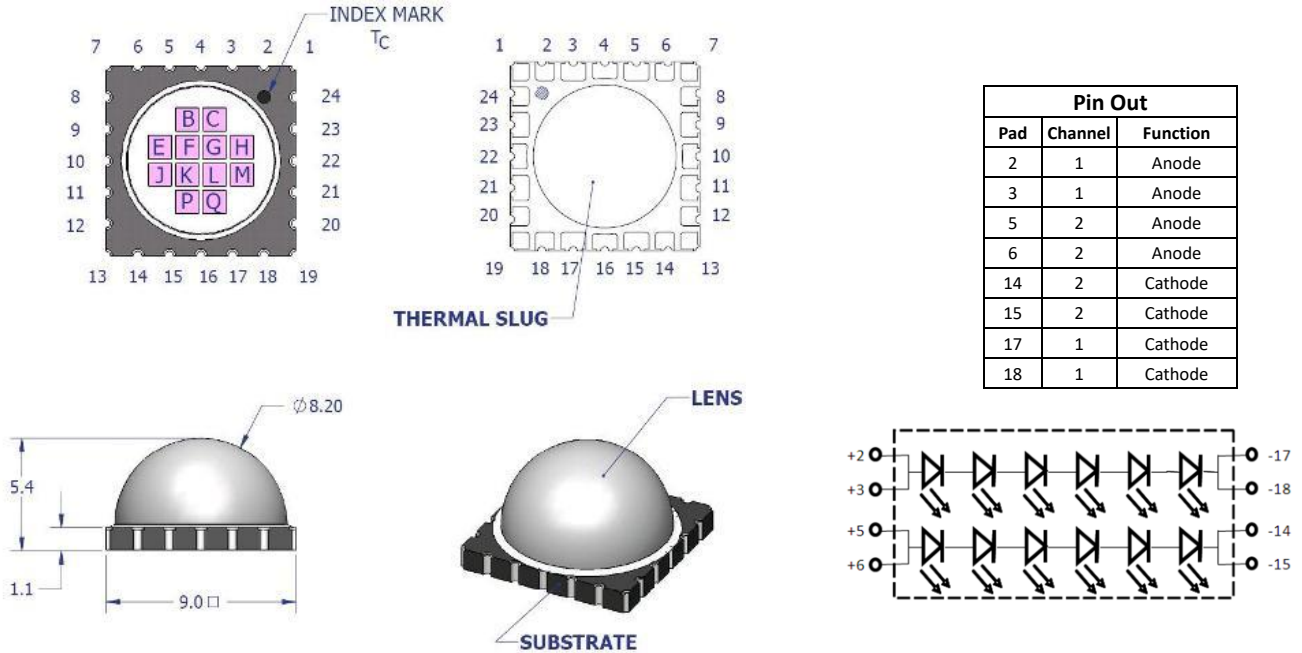


Figure 1: Package outline drawing.

Notes for Figure 1:

1. LZC-00CW0R is compatible with MCPCB designed for LZC-00WW00, LZC-00NW00, and LZC-00CW00 when emitter is rotated 180 degree with respect to the LZC-00xW00 position on the MCPCB.
2. Index mark, Tc indicates case temperature measurement point.
3. Unless otherwise noted, the tolerance = ± 0.20 mm.
4. Thermal contact pad is electrically neutral.

Recommended Solder Pad Layout (mm)

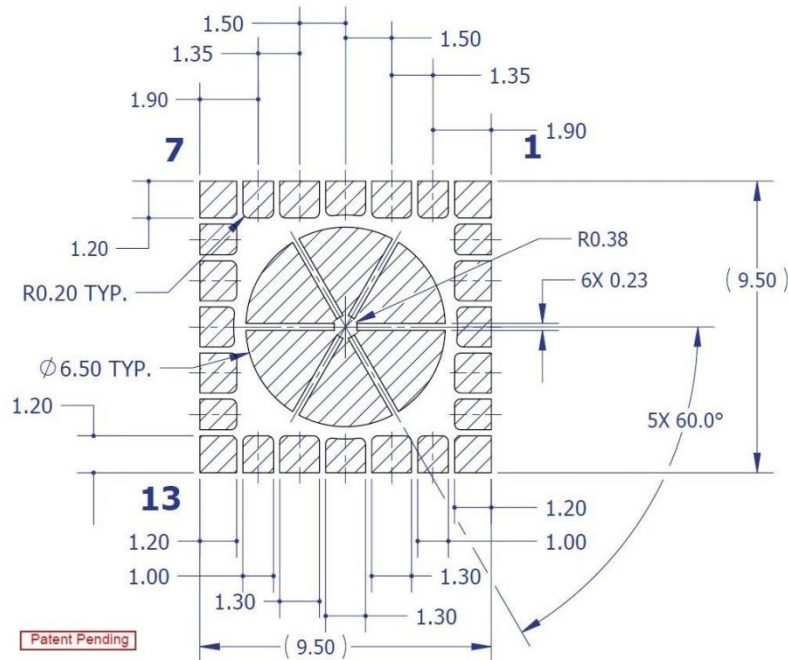


Figure 2a: Recommended solder pad layout for anode, cathode, and thermal pad.

Note for Figure 2a:

1. Unless otherwise noted, the tolerance = ± 0.20 mm.

Recommended 8mil Stencil Apertures Layout (mm)

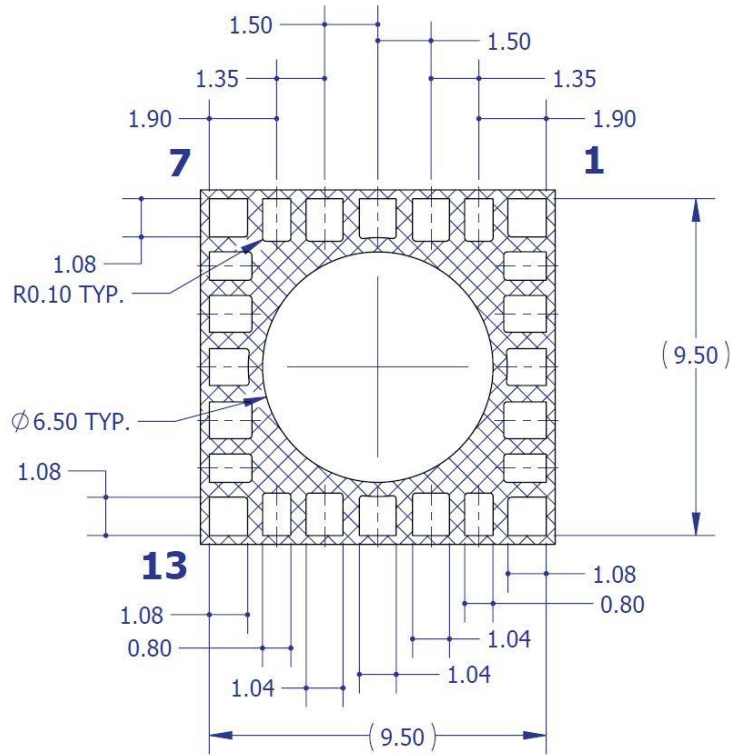


Figure 2b: Recommended solder mask opening for anode, cathode, and thermal pad.

Note for Figure 2b:

1. Unless otherwise noted, the tolerance = ± 0.20 mm.

Reflow Soldering Profile

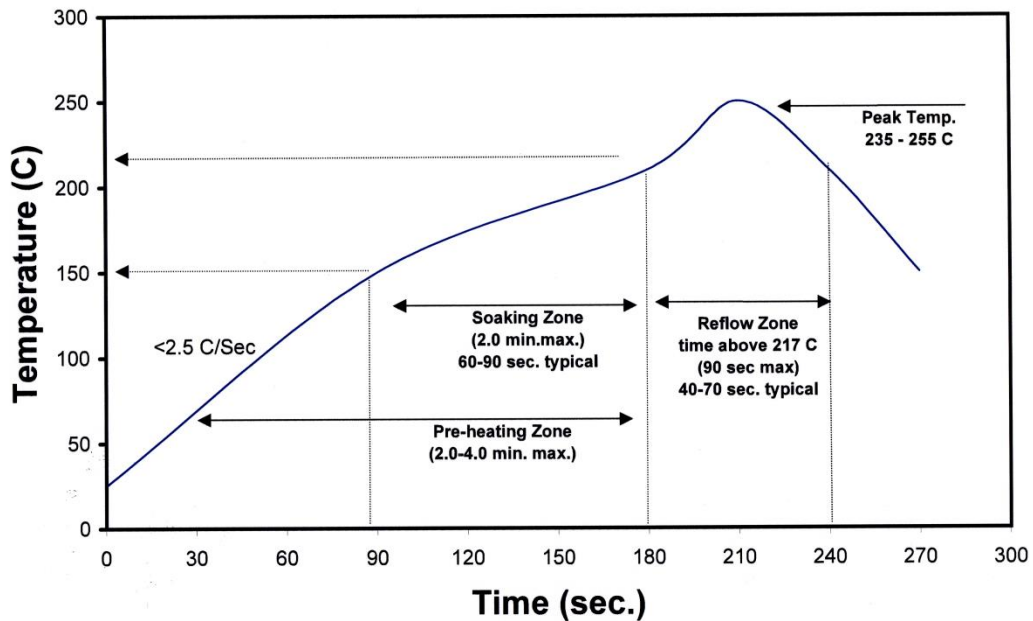


Figure 3: Reflow soldering profile for lead free soldering.

Typical Radiation Pattern

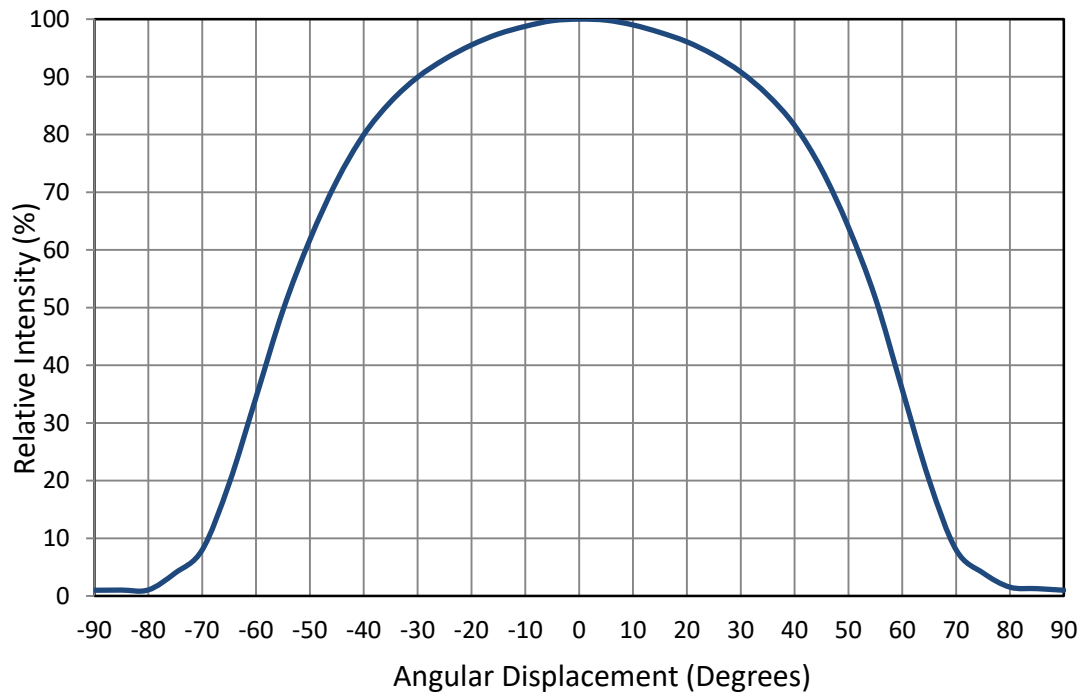


Figure 4: Typical representative spatial radiation pattern.

Typical Relative Spectral Power Distribution

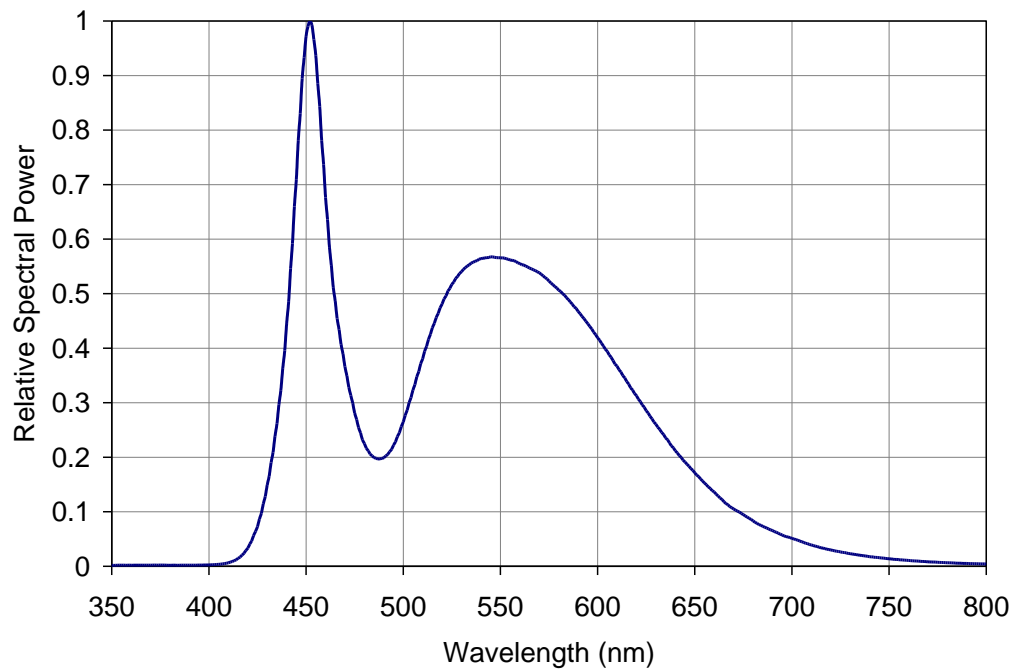


Figure 5: Typical relative spectral power vs. wavelength @ T_c = 25°C.

Typical Relative Light Output over Forward Current

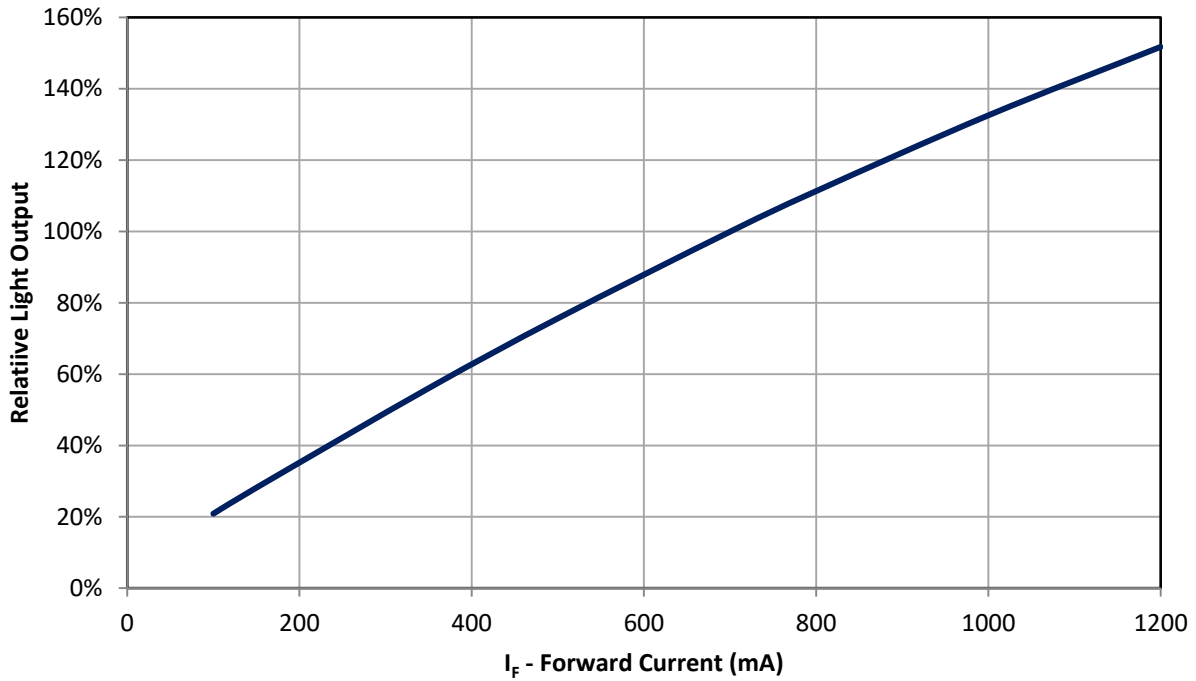


Figure 6: Typical relative light output vs. forward current @ $T_c = 25^\circ\text{C}$.

Notes for Figure 6:

1. Luminous Flux typical value is for all 12 LED dice operating concurrently at rated current.

Typical Relative Light Output over Temperature

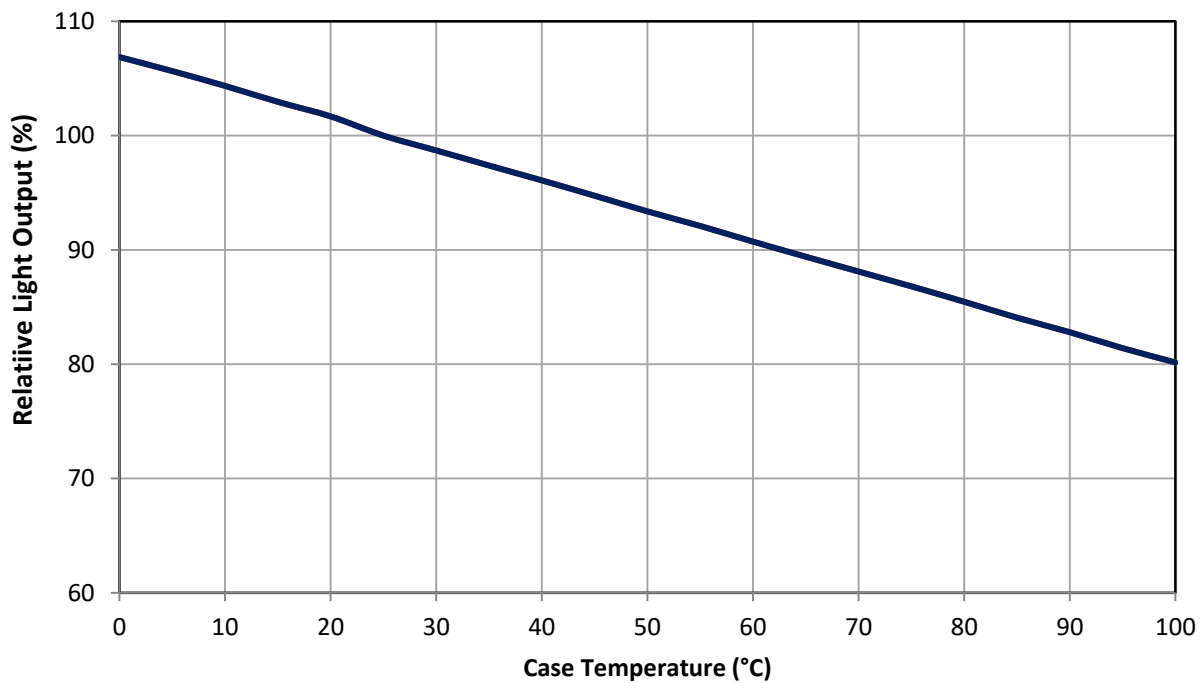


Figure 7: Typical relative light output vs. case temperature.

Notes for Figure 7:

1. Luminous Flux typical value is for all 12 LED dice operating concurrently at rated current.

Typical Forward Current Characteristics

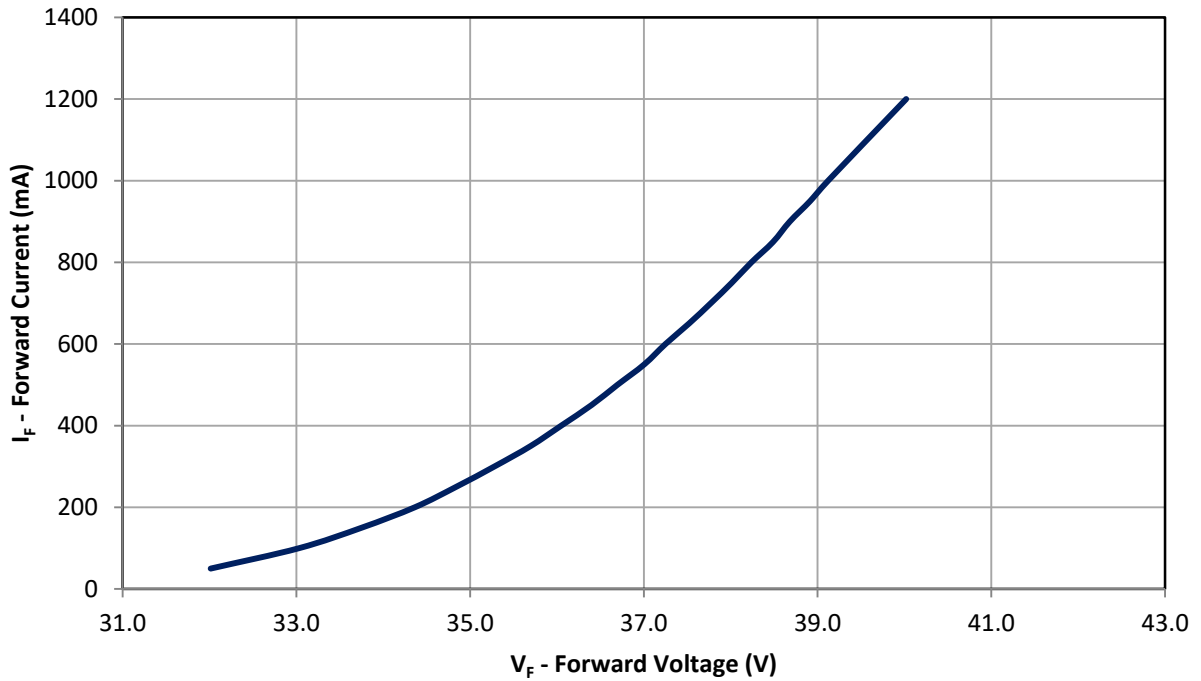


Figure 8: Typical forward current vs. forward voltage @ $T_c = 25^\circ\text{C}$.

Note for Figure 8:

1. Forward Voltage assumes 12 LED dice connected in series. The actual LED is configured with two strings of 6 dice in series.

Current De-rating

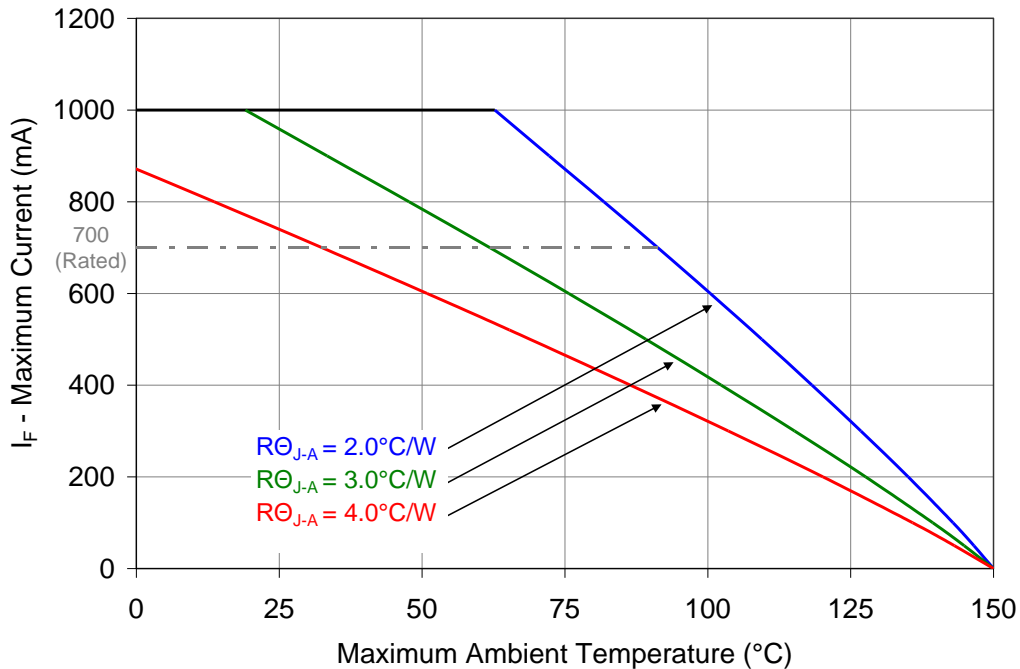


Figure 9: Maximum forward current vs. ambient temperature based on $T_{J(\text{MAX})} = 150^\circ\text{C}$.

Notes for Figure 9:

1. Maximum current assumes that all LED dice are operating concurrently at the same current.
2. $R_{\theta_{J-C}}$ [Junction to Case Thermal Resistance] for the LZC-00CW0R is typically 0.7°C/W .
3. $R_{\theta_{J-A}}$ [Junction to Ambient Thermal Resistance] = $R_{\theta_{J-C}} + R_{\theta_{C-A}}$ [Case to Ambient Thermal Resistance].

Emitter Tape and Reel Specifications (mm)



Figure 10: Emitter carrier tape specifications (mm).



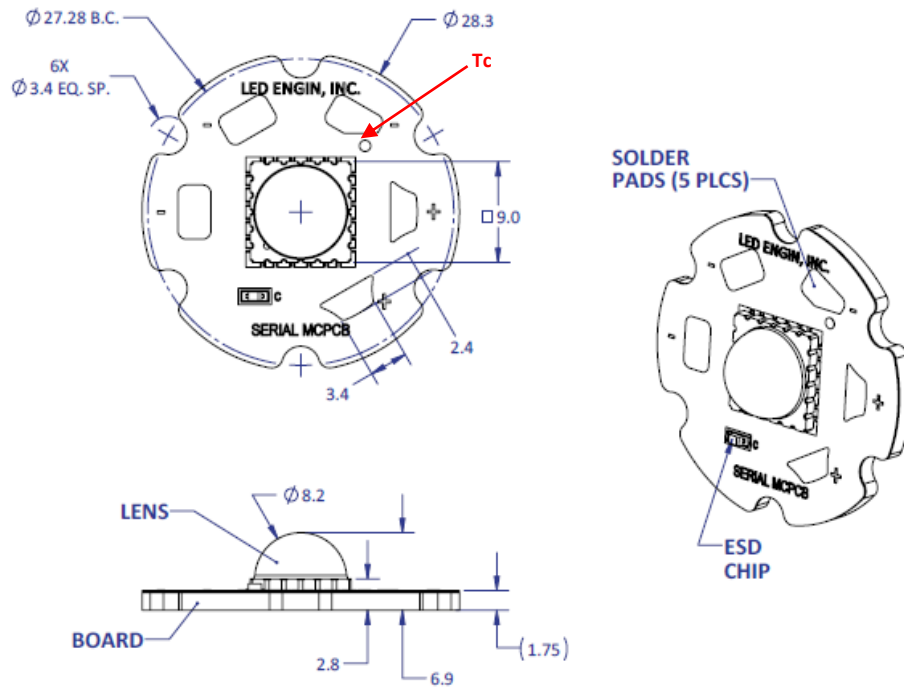
Figure 11: Emitter Reel specifications (mm).

LZC MCPCB Family

| Part number | Type of MCPCB | Diameter (mm) | Emitter + MCPCB Thermal Resistance (°C/W) | Typical V _f (V) | Typical I _f (mA) |
|-------------|---------------|---------------|---|----------------------------|-----------------------------|
| LZC-7xxxxx | 1-channel | 28.3 | 0.7 + 0.6 = 1.3 | 37.8 | 700 |
| LZC-Cxxxxx | 2-channel | 28.3 | 0.7 + 0.6 = 1.3 | 18.9 | 2 x 700 |

LZC-7xxxxx

1-Channel MCPCB Mechanical Dimensions (mm)



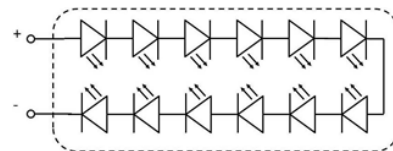
Notes:

- Unless otherwise noted, the tolerance = ± 0.2 mm.
- Slots in MCPCB are for M3 or #4-40 mounting screws.
- LED Engin recommends plastic washers to electrically insulate screws from solder pads and electrical traces.
- Electrical connection pads on MCPCB are labeled “+” for Anode and “-” for Cathode.
- LED Engin recommends using thermal interface material when attaching the MCPCB to a heatsink.
- The thermal resistance of the MCPCB is: R θ C-B 0.6°C/W

Components used

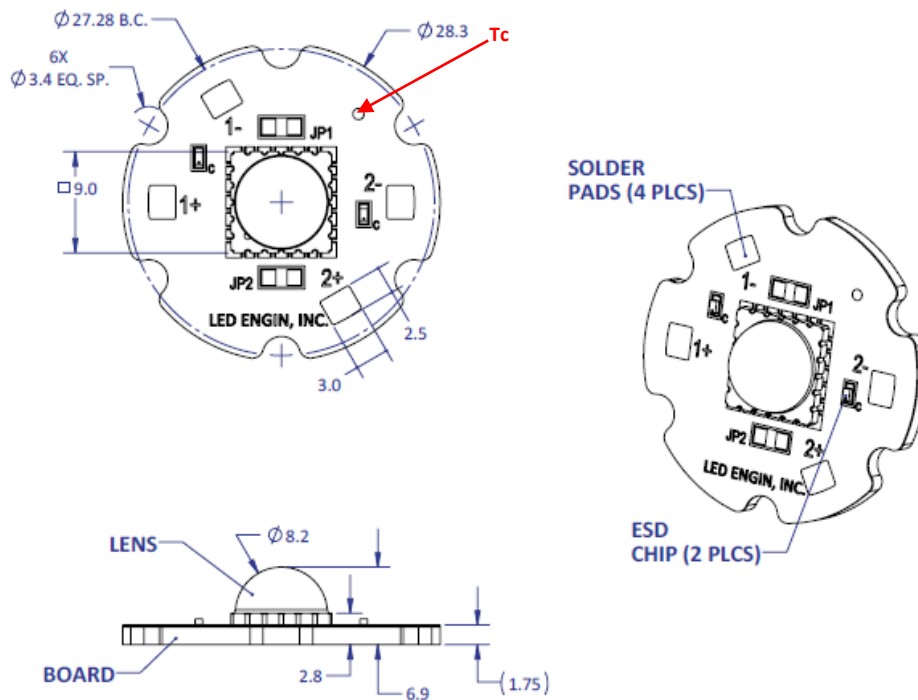
MCPCB: HT04503 (Bergquist)
ESD chips: BZX585-C51 (NPX, for 12 LED dies in series)

| Pad layout | | | |
|------------|-----------|------------|-----------|
| Ch. | MCPCB Pad | String/die | Function |
| 1 | + | 1/BCEFGHJ | Anode + |
| | - | KLMPQ | Cathode - |



LZC-Cxxxxx

2 channel, Star MCPCB (2x6) Dimensions (mm)



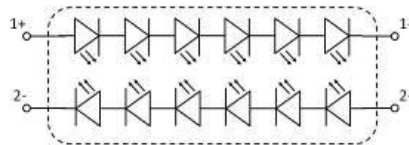
Notes:

- Unless otherwise noted, the tolerance = ± 0.2 mm.
- Slots in MCPCB are for M3 or #4-40 mounting screws.
- LED Engin recommends plastic washers to electrically insulate screws from solder pads and electrical traces.
- Electrical connection pads on MCPCB are labeled “+” for Anode and “-” for Cathode.
- LED Engin recommends thermal interface material when attaching the MCPCB to a heatsink.
- The thermal resistance of the MCPCB is: RθC-B 0.6°C/W

Components used

MCPCB: HT04503 (Bergquist)
ESD chips: BZT52C36LP (NPX, for 6 LED dies in series)

| Pad layout | | | |
|------------|-----------|------------|-----------|
| Ch. | MCPCB Pad | String/die | Function |
| 1 | 1+ | 1/JKLMPQ | Anode + |
| | 1- | | Cathode - |
| 2 | 2+ | 2/BCEFGH | Anode + |
| | 2- | | Cathode - |



Application Guidelines

MCPCB Assembly Recommendations

A good thermal design requires an efficient heat transfer from the MCPCB to the heat sink. In order to minimize air gaps in between the MCPCB and the heat sink, it is common practice to use thermal interface materials such as thermal pastes, thermal pads, phase change materials and thermal epoxies. Each material has its pros and cons depending on the design. Thermal interface materials are most efficient when the mating surfaces of the MCPCB and the heat sink are flat and smooth. Rough and uneven surfaces may cause gaps with higher thermal resistances, increasing the overall thermal resistance of this interface. It is critical that the thermal resistance of the interface is low, allowing for an efficient heat transfer to the heat sink and keeping MCPCB temperatures low.

When optimizing the thermal performance, attention must also be paid to the amount of stress that is applied on the MCPCB. Too much stress can cause the ceramic emitter to crack. To relax some of the stress, it is advisable to use plastic washers between the screw head and the MCPCB and to follow the torque range listed below. For applications where the heat sink temperature can be above 50°C, it is recommended to use high temperature and rigid plastic washers, such as polycarbonate or glass-filled nylon.

LED Engin recommends the use of the following thermal interface materials:

1. Bergquist's Gap Pad 5000S35, 0.020in thick
 - Part Number: Gap Pad® 5000S35 0.020in/0.508mm
 - Thickness: 0.020in/0.508mm
 - Thermal conductivity: 5 W/m-K
 - Continuous use max temperature: 200°C
 - Using M3 Screw (or #4 screw), with polycarbonate or glass-filled nylon washer (#4) the recommended torque range is: 20 to 25 oz-in (1.25 to 1.56 lbf-in or 0.14 to 0.18 N-m)

2. 3M's Acrylic Interface Pad 5590H
 - Part number: 5590H @ 0.5mm
 - Thickness: 0.020in/0.508mm
 - Thermal conductivity: 3 W/m-K
 - Continuous use max temperature: 100°C
 - Using M3 Screw (or #4 screw), with polycarbonate or glass-filled nylon washer (#4) the recommended torque range is: 20 to 25 oz-in (1.25 to 1.56 lbf-in or 0.14 to 0.18 N-m)

Mechanical Mounting Considerations

The mounting of MCPCB assembly is a critical process step. Excessive mechanical stress build up in the MCPCB can cause the MCPCB to warp which can lead to emitter substrate cracking and subsequent cracking of the LED dies

LED Engin recommends the following steps to avoid mechanical stress build up in the MCPCB:

- Inspect MCPCB and heat sink for flatness and smoothness.
- Select appropriate torque for mounting screws. Screw torque depends on the MCPCB mounting method (thermal interface materials, screws, and washer).
- Always use three M3 or #4-40 screws with #4 washers.
- When fastening the three screws, it is recommended to tighten the screws in multiple small steps. This method avoids building stress by tilting the MCPCB when one screw is tightened in a single step.
- Always use plastic washers in combinations with the three screws. This avoids high point contact stress on the screw head to MCPCB interface, in case the screw is not seated perpendicular.
- In designs with non-tapped holes using self-tapping screws, it is common practice to follow a method of three turns tapping a hole clockwise, followed by half a turn anti-clockwise, until the appropriate torque is reached.

Wire Soldering

- To ease soldering wire to MCPCB process, it is advised to preheat the MCPCB on a hot plate of 125-150°C. Subsequently, apply the solder and additional heat from the solder iron will initiate a good solder reflow. It is recommended to use a solder iron of more than 60W.
- It is advised to use lead-free, no-clean solder. For example: SN-96.5 AG-3.0 CU 0.5 #58/275 from Kester (pn: 24-7068-7601)

About LED Engin

LED Engin, an OSRAM business based in California's Silicon Valley, develops, manufactures, and sells advanced LED emitters, optics and light engines to create uncompromised lighting experiences for a wide range of entertainment, architectural, general lighting and specialty applications. LuxiGen™ multi-die emitter and secondary lens combinations reliably deliver industry-leading flux density, upwards of 5000 quality lumens to a target, in a wide spectrum of colors including whites, tunable whites, multi-color and UV LEDs in a unique patented compact ceramic package. Our LuxiTune™ series of tunable white lighting modules leverage our LuxiGen emitters and lenses to deliver quality, control, freedom and high density tunable white light solutions for a broad range of new recessed and downlighting applications. The small size, yet remarkably powerful beam output and superior in-source color mixing, allows for a previously unobtainable freedom of design wherever high-flux density, directional light is required. LED Engin is committed to providing products that conserve natural resources and reduce greenhouse emissions; and reserves the right to make changes to improve performance without notice.

For more information, please contact LEDE-Sales@osram.com or +1 408 922-7200.

Mouser Electronics

Authorized Distributor

Click to View Pricing, Inventory, Delivery & Lifecycle Information:

LED Engin:

[LZC-00CW0R-0055](#) [LZC-C0CW0R-0065](#) [LZC-70CW0R-0065](#) [LZC-00CW0R-0065](#) [LZC-00CW0R-0000](#) [LZC-C0CW0R-0055](#) [LZC-70CW0R-0055](#) [LZC-00CW0R-0050](#) [LZC-00CW0R-0056](#)