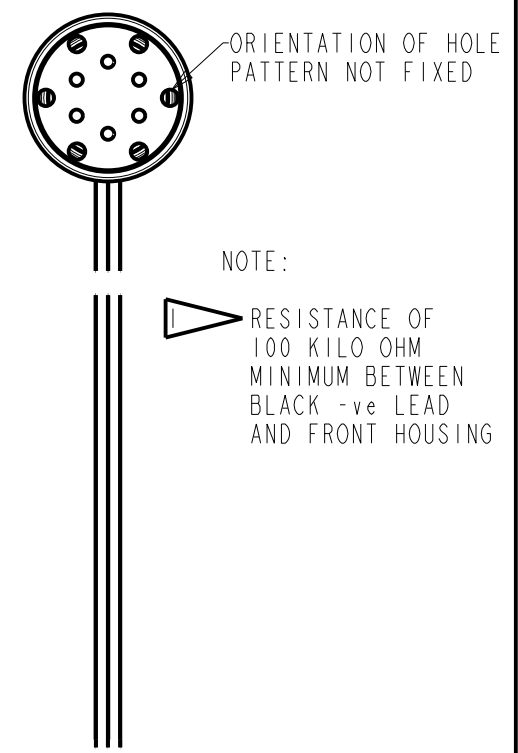
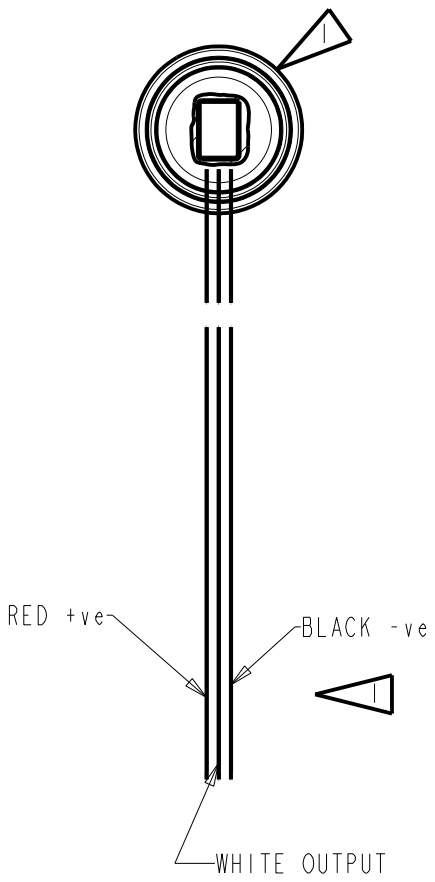
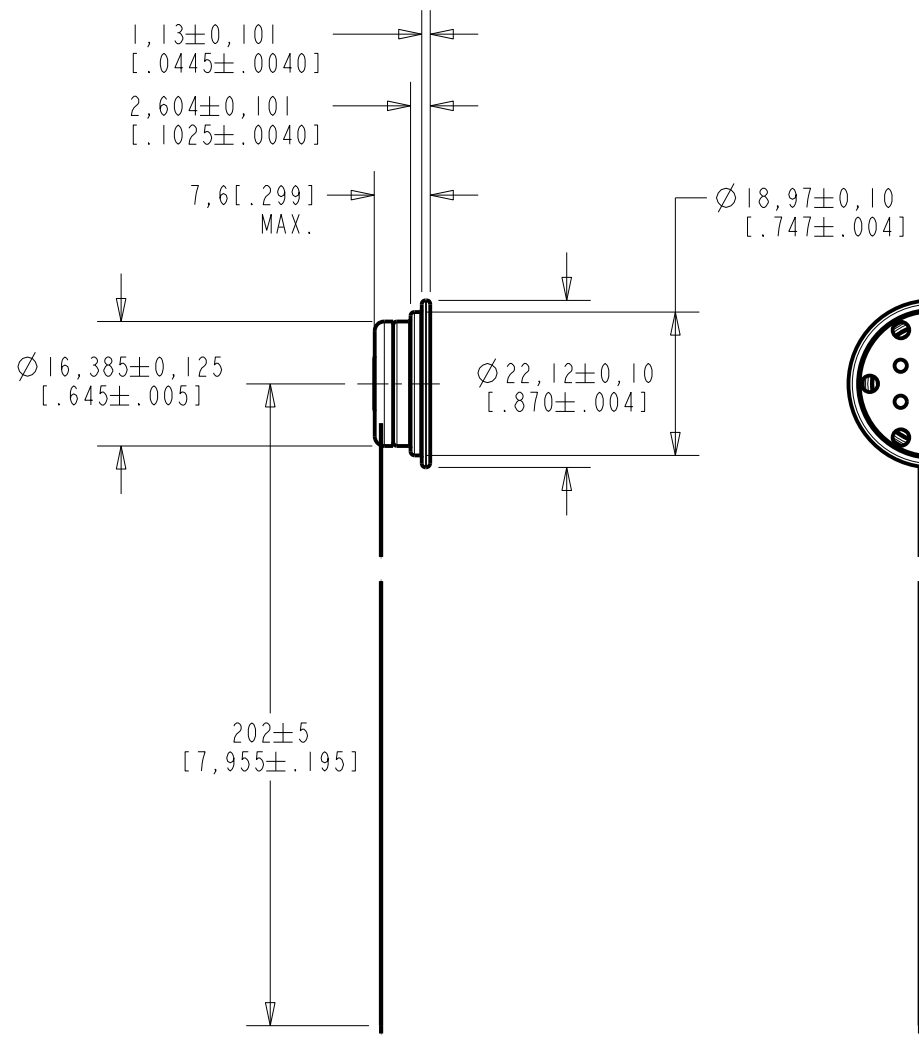


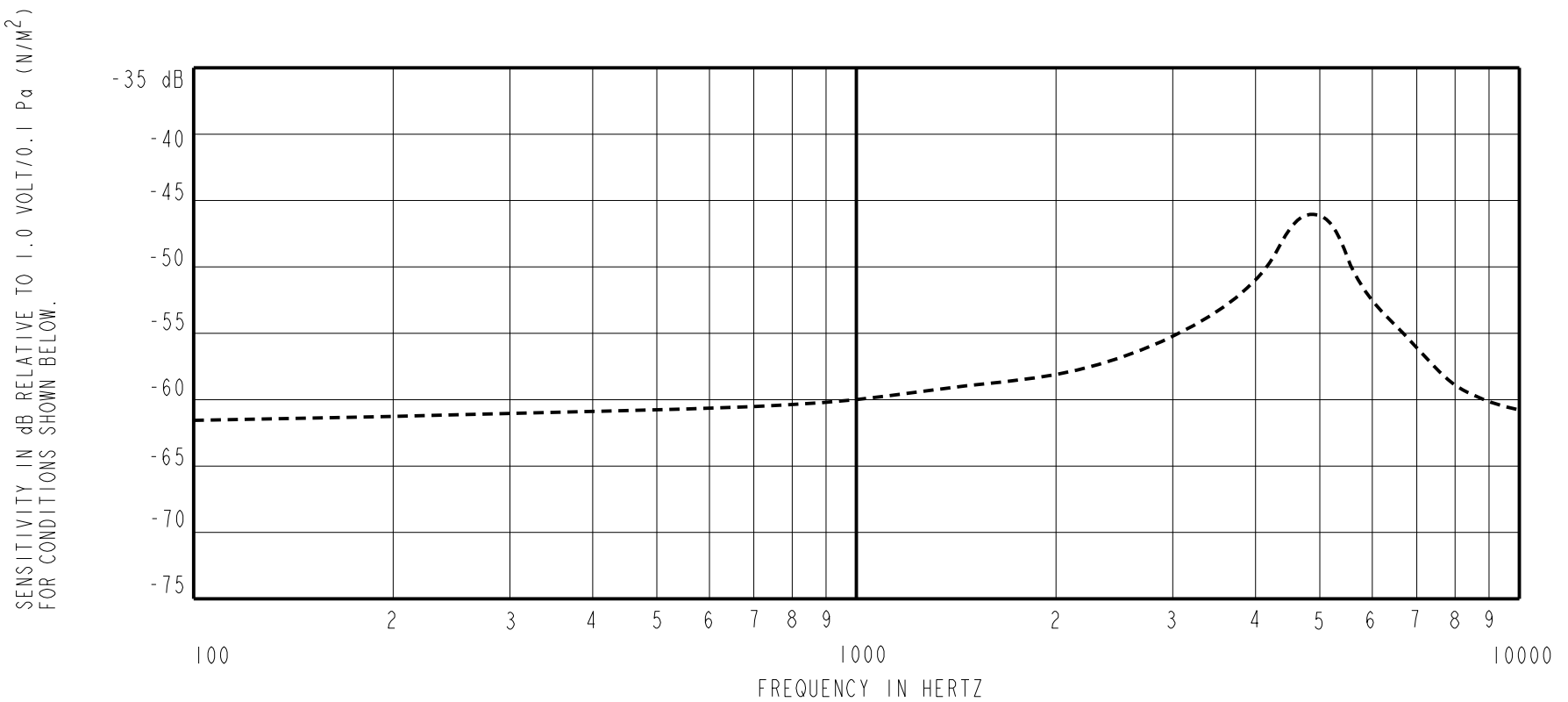
**MR-28406-000**  
SHT 1.1



DIMENSIONS IN MILLIMETERS [INCHES]

Revision	C.O. #	Implementation Date	RELEASE LEVEL	REVISION
B	MI0103544	2-23-10	<b>Active</b>	<b>B</b>
A	MI0101178	8-21-06		
SCALE: 1:1				
DO NOT SCALE DRAWING			DR. BY	DATE
TITLE: <b>WATERPROOF MICROPHONE</b>			LSY	8-21-06
			MR-28406-000	
OUTLINE DRAWING			GJP	8-25-06
			SHT 1.1	
			GJP	8-25-06

**KNOWLES ELECTRONICS**  
ITASCA, ILLINOIS U.S.A.

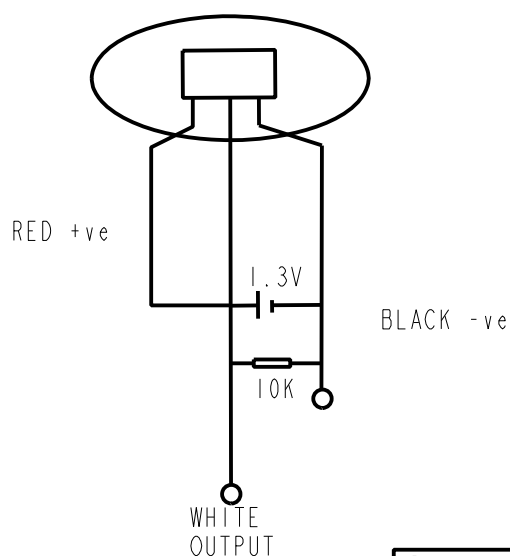


FREQUENCY	SENSITIVITY			DEVICE CONFORMITY	
	MIN.	NOM.	MAX.	RANGE OF DEVIATION FROM 1KHz	
100	---	-61.5	---	-4.0	+2.0
1000	-65.0	-60.0	-58.0	---	---
4700 APPROX	---	-47.0	---	+8.0	+20.0

NOTES:

1. CASE OF MICROPHONE CONNECTED TO NEGATIVE BLACK LEAD.
2. BELLOWS HOUSING INSULATED FROM MICROPHONE CASE.
3. MICROPHONE TO BE FUNCTIONAL WITH 20 VDC SUPPLY.
4. CONFORMS TO REQUIREMENTS SHOWN ON "ELECTRET MICROPHONE ENVIRONMENTAL QUALIFICATION TEST, BT-1759 SHEET 2.2.
5. INDIVIDUAL SPECIFICATIONS.

LOAD RESISTANCE ON OUTPUT FOR SENSITIVITY OHMS	DC SUPPLY V	OUTPUT IMPEDANCE OHMS			AMPLIFIER CURRENT DRAIN $\mu$ A MAX.	SENSITIVITY CHANGE ON REDUCING SUPPLY TO .9VDC	"A" WEIGHTED NOISE 1KHZ EQUIVALENT SPL dB SPL MAX
		MIN.	MOM.	MAX.			
10000	1.3	2000	3500	6000	50	3 dB MAX.	30



Revision	C.O. #	Implementation Date	RELEASE LEVEL	REVISION
B	M10103544	2-23-10	Active	B
A	M10101178	8-21-06		

**KNOWLES ELECTRONICS**  
ITASCA, ILLINOIS U.S.A.

WHEN TEST LIMITS ARE USED TO ESTABLISH INCOMING INSPECTION ACCEPTANCE/REJECTION CRITERIA, CORRELATION OF TEST EQUIPMENT WITH KNOWLES IS ALSO REQUIRED FOR ELIMINATION OF EQUIPMENT AND TEST METHOD VARIATION

TITLE: **WATERPROOF MICROPHONE**  
PERFORMANCE SPECIFICATION

**MR-28406-000**  
SHT 2.1

DR. BY	DATE
LSY	8-21-06
CK. BY	DATE
GJP	8-25-06
APP. BY	DATE
GJP	8-25-06

# Mouser Electronics

Authorized Distributor

Click to View Pricing, Inventory, Delivery & Lifecycle Information:

[Knowles:](#)

[MR-23333-146](#) [MR-28406-000](#) [MR-23333-000](#) [MR-23151-000](#) [MR-28406-146](#) [MR-30529-000](#)