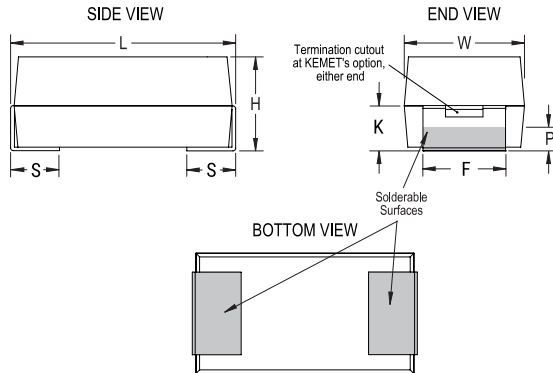


**KEMET Part Number: CWR09FC105KB**  
(T409A105K010BC)

T409 CWR09, Tantalum, MnO2 Tantalum, Military/High Reliability, 1 uF, 10%, 10 VDC, SMD, MnO2, Molded, Military Equivalent, B (0.1%/1000 Hrs), 10 Ohms, 2513, Height Max = 1.65mm



Dimensions	
Footprint	2513
L	2.54mm +/-0.38mm
W	1.27mm +/-0.38mm
H	1.27mm +/-0.38mm
S	0.76mm +0.25/-0.13mm
F	1.27mm +/-0.13mm
K	0.76mm MIN
P	0.38mm MIN

Packaging Specifications	
Weight:	39.91 mg
Packaging:	T&R, 178mm
Packaging Quantity:	2500

General Information	
Series:	T409 CWR09
Dielectric:	MnO2 Tantalum
Style:	SMD Chip
Description:	SMD, MnO2, Molded, Military Equivalent
RoHS:	No
Prop 65:	<b>WARNING:</b> Cancer and reproductive harm - <a href="http://www.p65warnings.ca.gov">www.p65warnings.ca.gov</a> .
REACH:	SVHC (Pb - CAS 7439-92-1)
Termination:	Hot Solder Dipped
Qualifications:	MIL-PRF-55365/4, CWR09 Style
AEC-Q200:	No
Notes:	Note: When Option C Is Selected For Lead Material, Add An Additional 0.38mm To The Tolerances For "L", "W", "H", "K", "F" And "S"
MSL:	1

Specifications	
Capacitance:	1 uF
Capacitance Tolerance:	10%
Voltage DC:	10 VDC (85C), 6.7 VDC (125C)
Temperature Range:	-55/+125°C
Rated Temperature:	85°C
Dissipation Factor:	6% 120Hz 20C
Failure Rate:	B (0.1%/1000 Hrs)
Resistance:	10 Ohms (100kHz)
Leakage Current:	1 uA (20°C)
Testing and Reliability:	Standard Testing Only

Statements of suitability for certain applications are based on our knowledge of typical operating conditions for such applications, but are not intended to constitute - and we specifically disclaim - any warranty concerning suitability for a specific customer application or use. This Information is intended for use only by customers who have the requisite experience and capability to determine the correct products for their application. Any technical advice inferred from this Information or otherwise provided by us with reference to the use of our products is given gratis, and we assume no obligation or liability for the advice given or results obtained.