

PART
NAME

TRANSPARENT BLUE NEMA ENCLOSURE

PART
No.

BT-2727

UL FILE #194432

MATERIAL:

POLYCARBONATE, TRANSPARENT BLUE

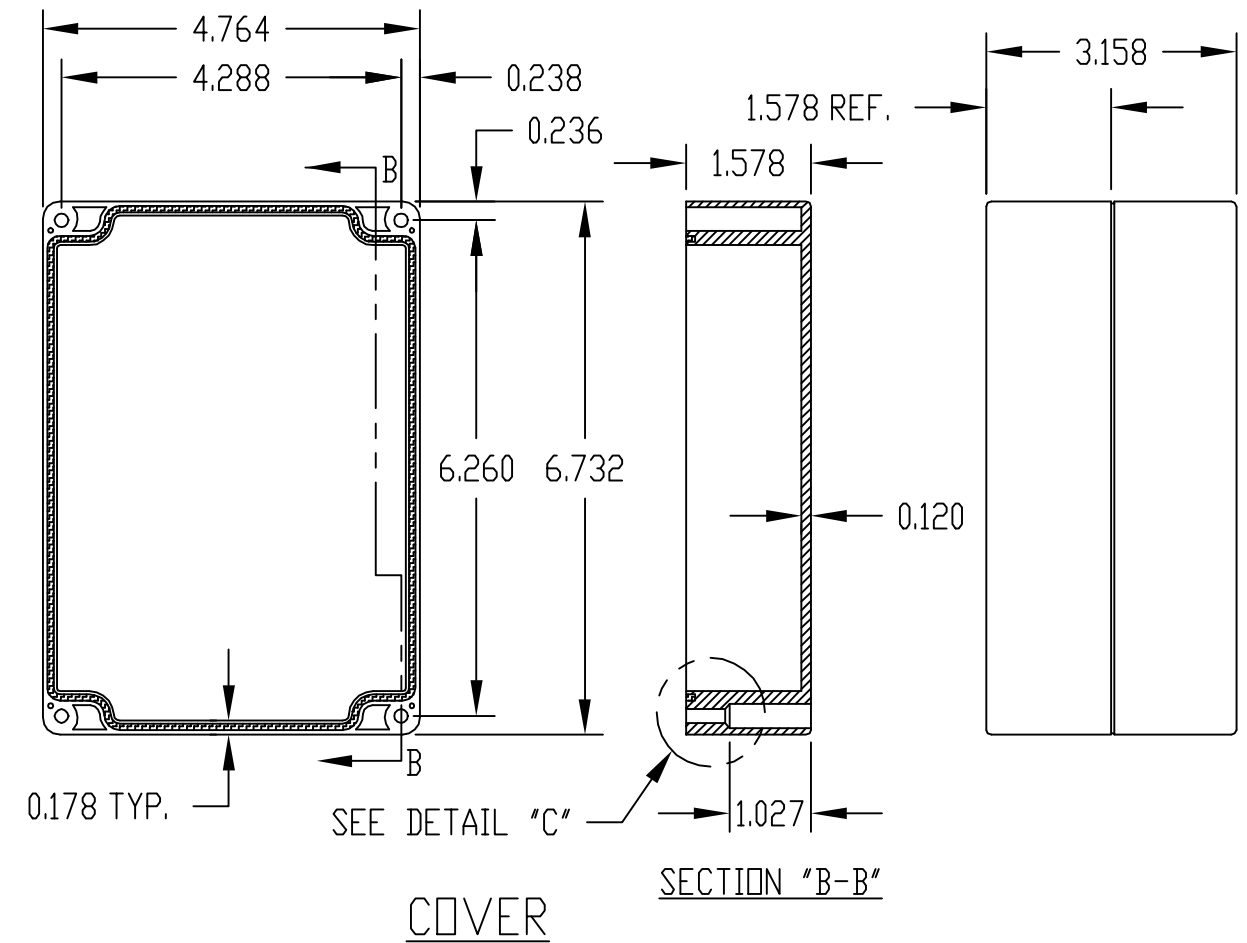
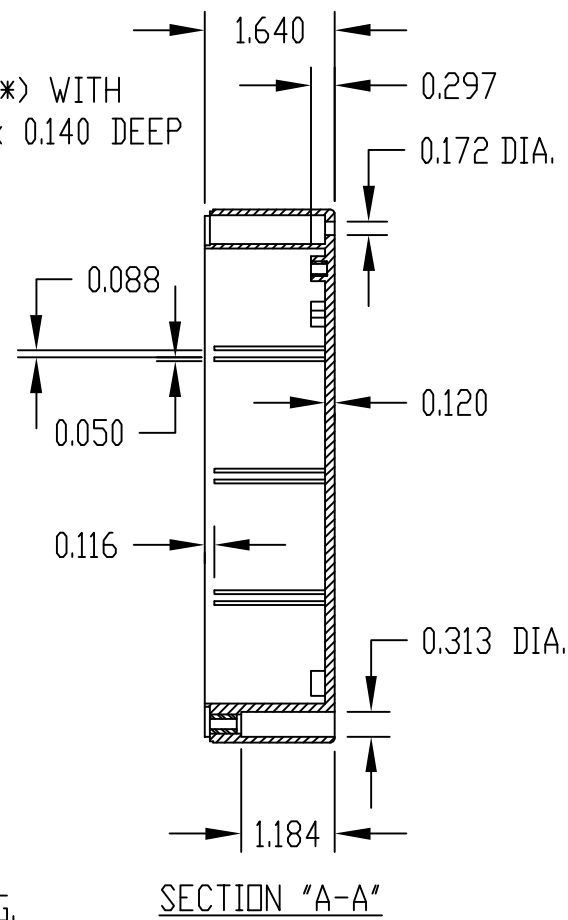
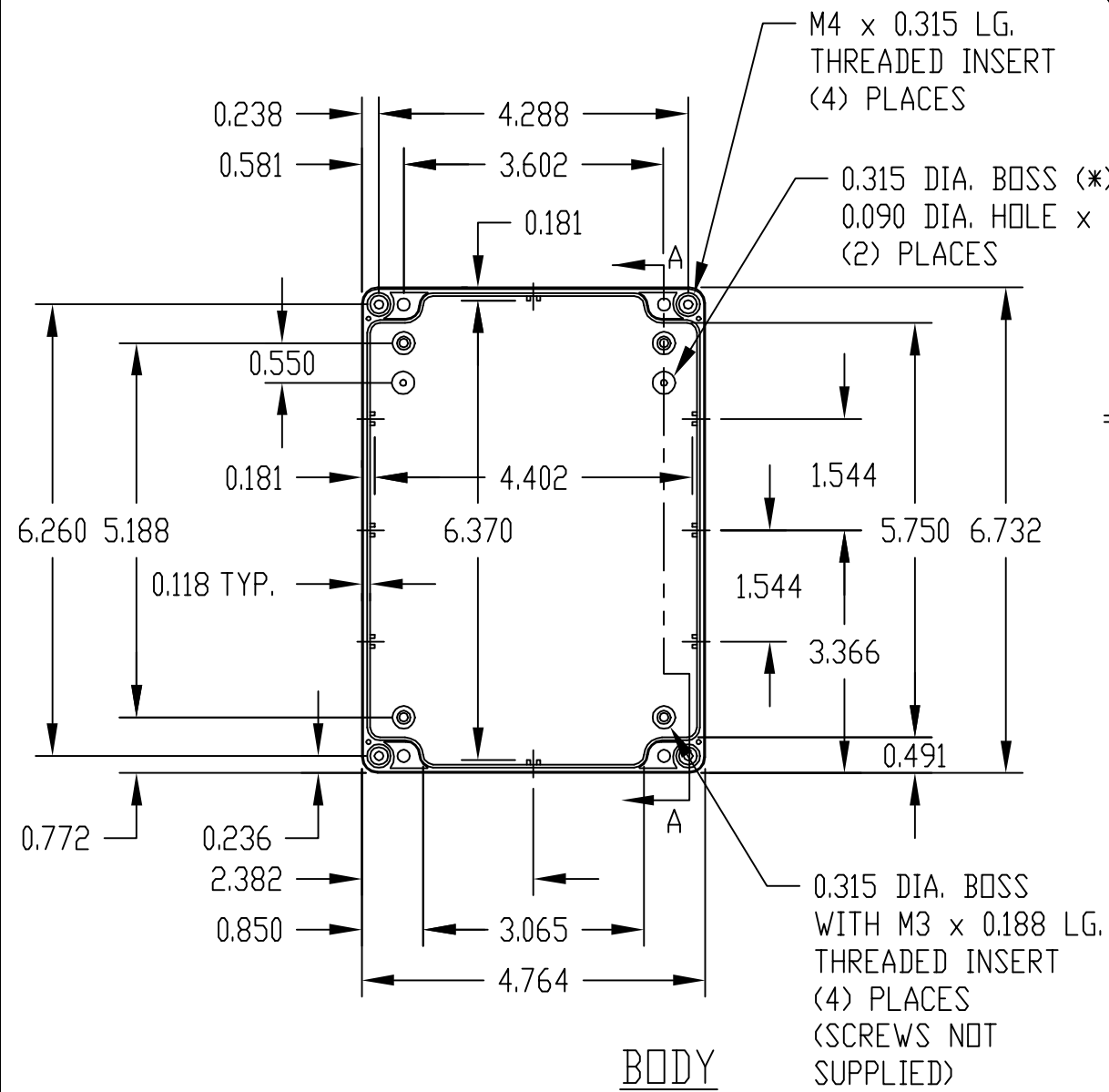
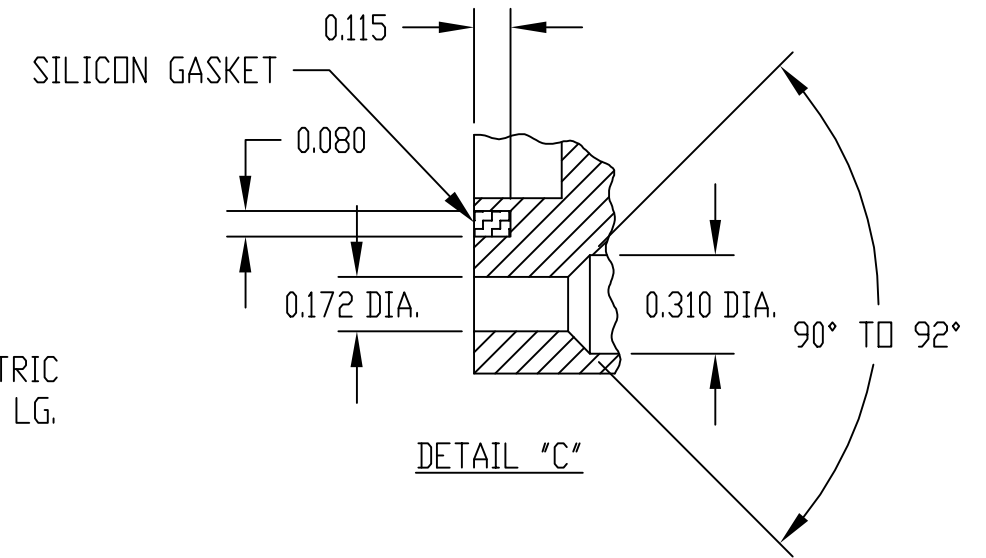
UL94V-2 FLAMMABILITY RATING

UV STABILIZED

SERVICE TEMPERATURE RANGE:

-40°C TO +120°C

(* MOUNTING BOSSES USE EITHER M2.5 METRIC
OR #4 STD. SHEET METAL SCREWS x 0.188" LG.
(NOT SUPPLIED)



NOTE: ALL DIMENSIONS HAVE ±0.015 TOLERANCE UNLESS OTHERWISE SPECIFIED.

| |
|---|
| HARDWARE KIT |
| KIT CONTAINS (4) M4 x 20mm (0.787") LG. SCREWS FOR ASSEMBLY |

Mouser Electronics

Authorized Distributor

Click to View Pricing, Inventory, Delivery & Lifecycle Information:

[Bud Industries:](#)

[BT-2727](#)