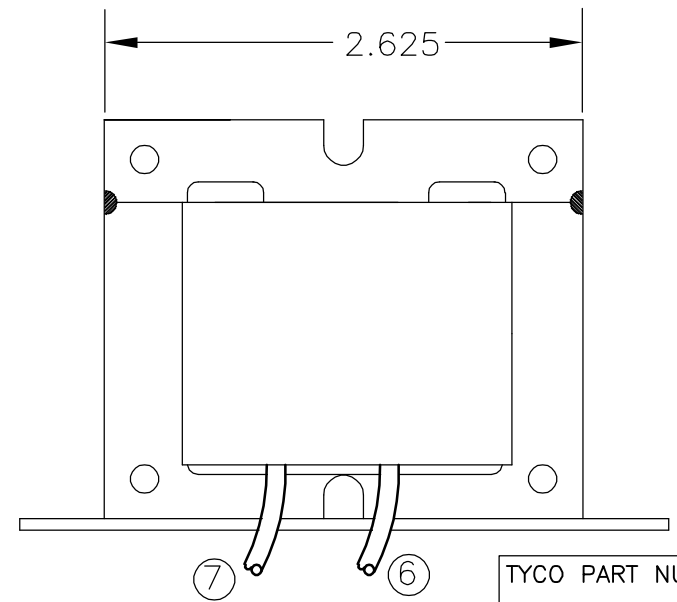
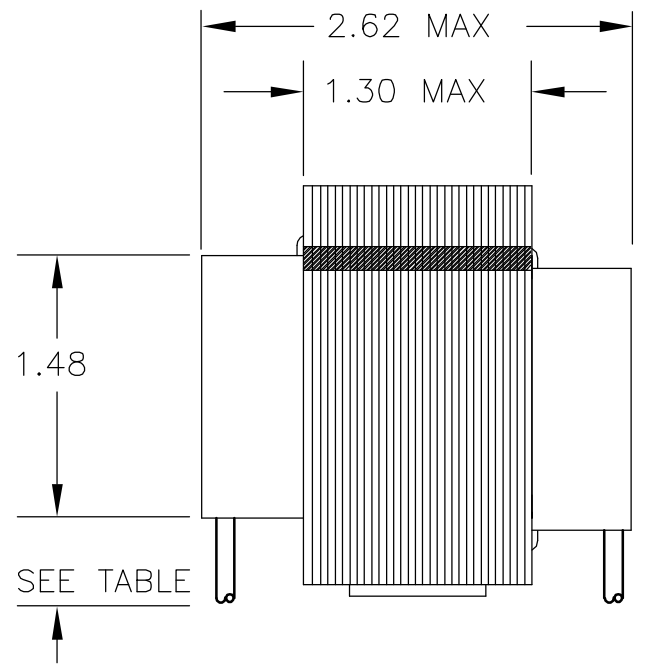
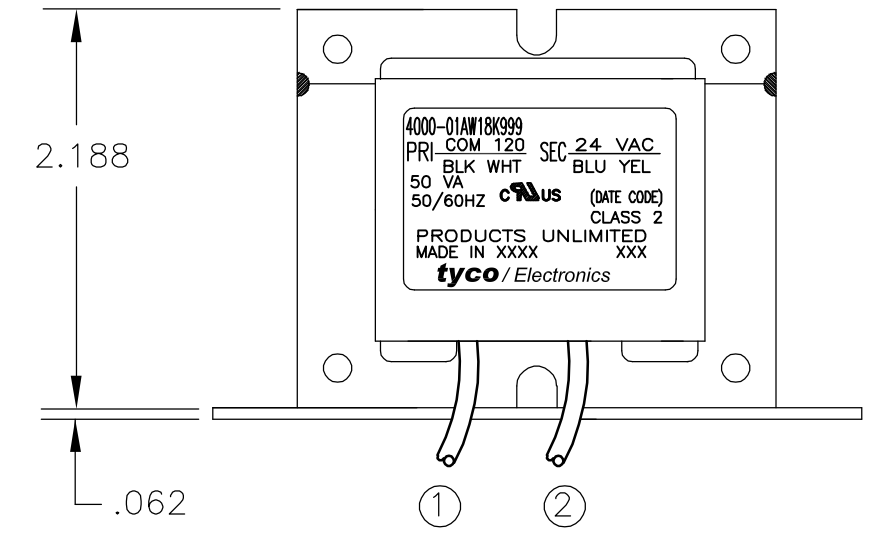
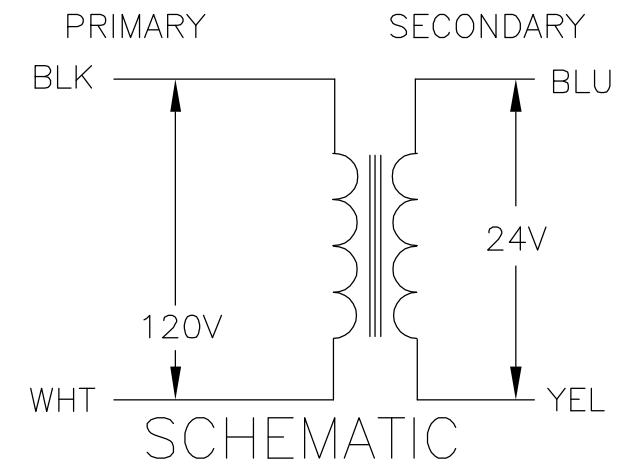
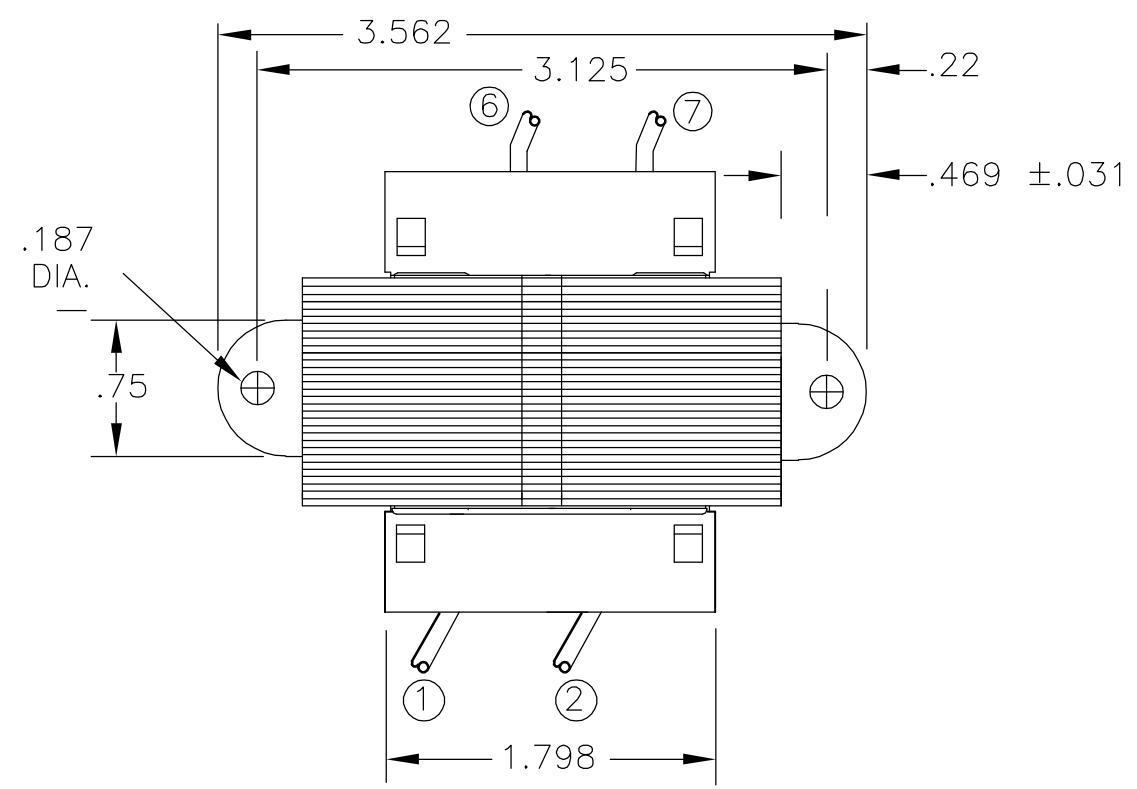


LOC	DIST	REVISIONS					
GZ	00	P	LTR	DESCRIPTION	DATE	DWN	APVD
		B		0611-0162-03	16MAY2003	TCS	KH

ALL LEADS 18AWG-UNLESS OTHERWISE SPECIFIED				NOTES 1. DIMENSIONS FOR REFERENCE ONLY. 2. ALL LEADS +1"/-0" TOL. 3. STRIP TOL. ±1/32 4. WINDING PROTECTION-INHERENTLY LIMITING				CERTIFICATION: UL & CUL FILE NO. E87824			
PRIMARY				SECONDARY							
LEAD NO.	1	2		LEAD NO.	6	7	8	9			
VOLTAGE	COM	120		VOLTAGE	24	VAC					
COLOR	BLK	WHT		COLOR	BLU	YEL					
LENGTH	12.0	12.0		LENGTH	12.0	12.0					
STRIP LENGTH	.50	.50		STRIP LENGTH	.50	.50					



TYCO PART NUMBER
 2-1611461-1

THIS DRAWING IS A CONTROLLED DOCUMENT.		DWN	11/5/96		Tyco Electronics Corporation	
		CHK	-		Harrisburg, PA 17105-3608	
		APVD	-		NAME	
		PRODUCT SPEC	-		TRANSFORMER OUTLINE	
		APPLICATION SPEC	-		P.U. STOCK	
		WEIGHT	-		SIZE	RESTRICTED TO
		CUSTOMER DRAWING	A3	00779	DRAWING NO	-
		SCALE	NTS		SHEET	1 OF 1
					REV	B

DIMENSIONS:	TOLERANCES UNLESS OTHERWISE SPECIFIED:
INCHES	
	0 PLC ± -
	1 PLC ± -
	2 PLC ± -
	3 PLC ± -
	4 PLC ± -
	ANGLES ± -
MATERIAL	FINISH
-	-

4000-01AW18K999
 PRI COM 120 SEC 24 VAC
 BLK WHT BLU YEL
 50 VA (DATE CODE)
 50/60HZ CLASS 2
 PRODUCTS UNLIMITED
 MADE IN XXXX
 tyco / Electronics

Mouser Electronics

Authorized Distributor

Click to View Pricing, Inventory, Delivery & Lifecycle Information:

[TE Connectivity:](#)

[4000-01AW18K999](#)