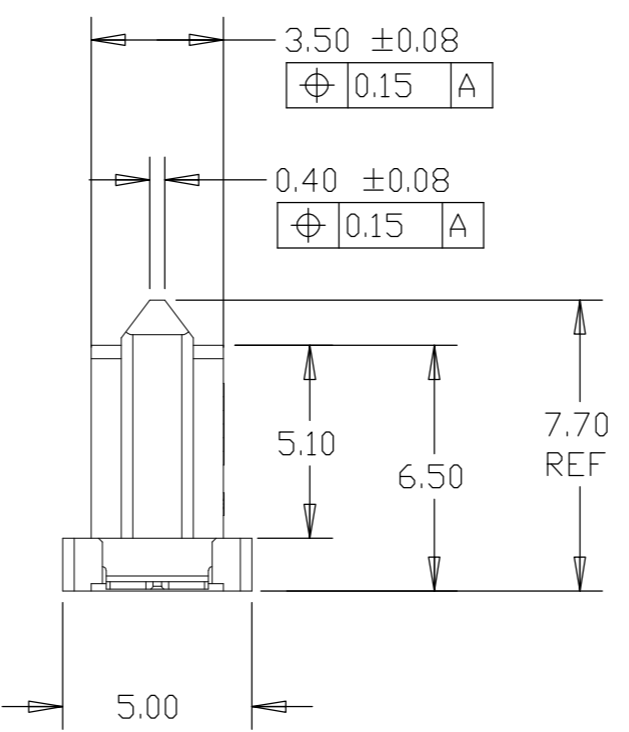
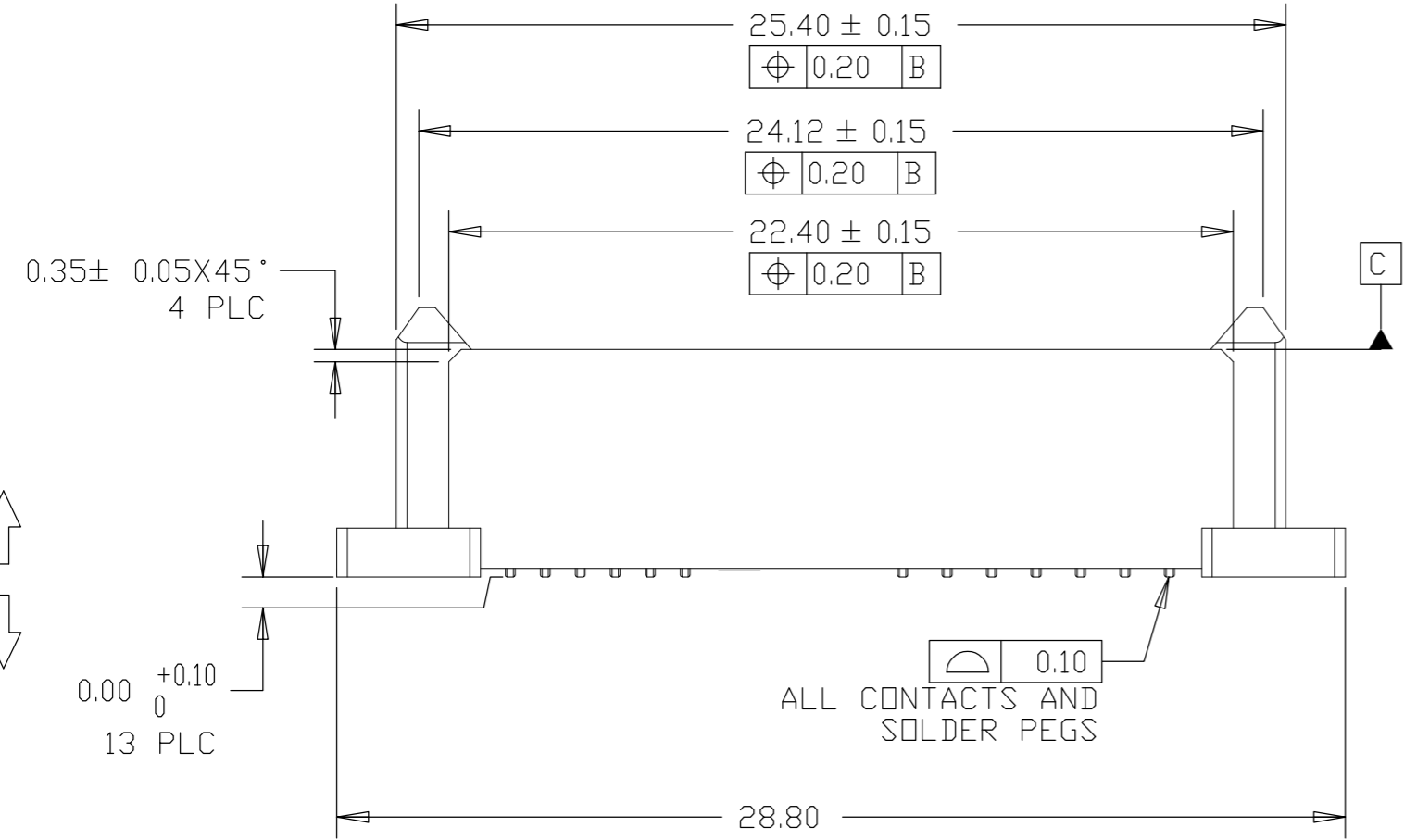
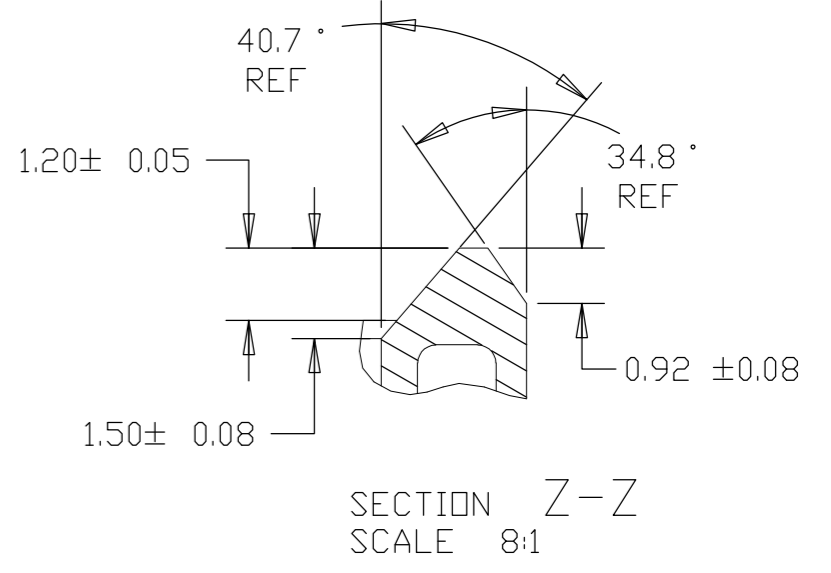
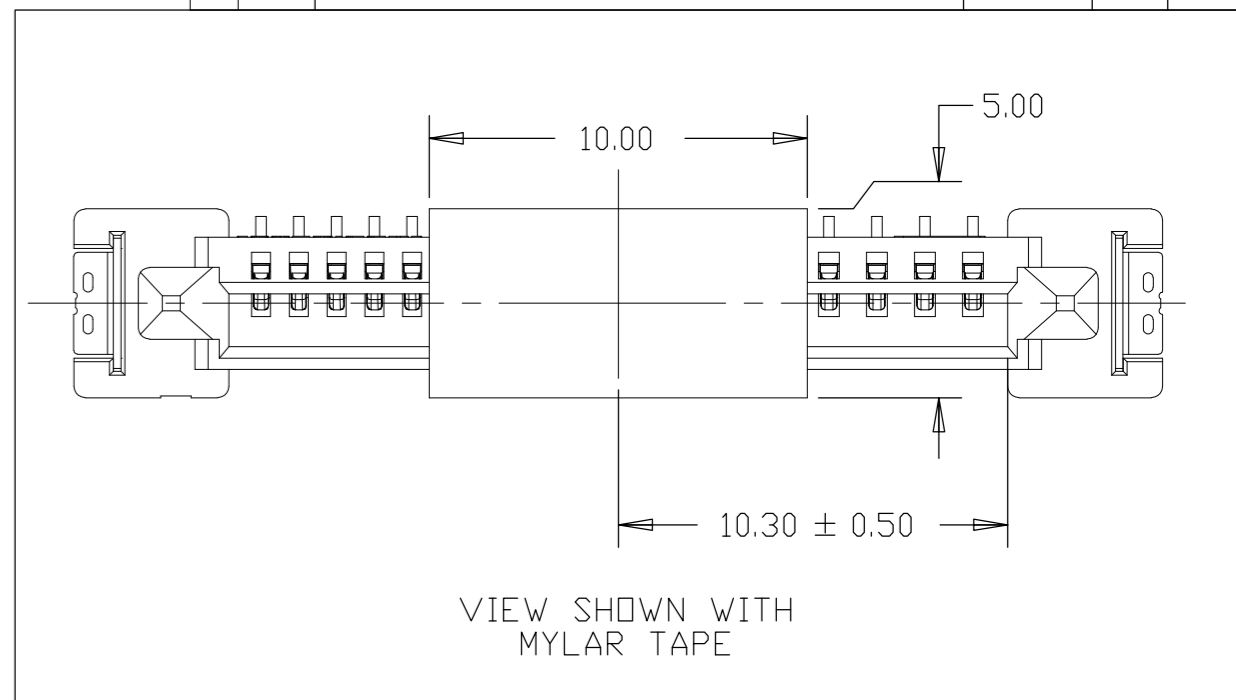
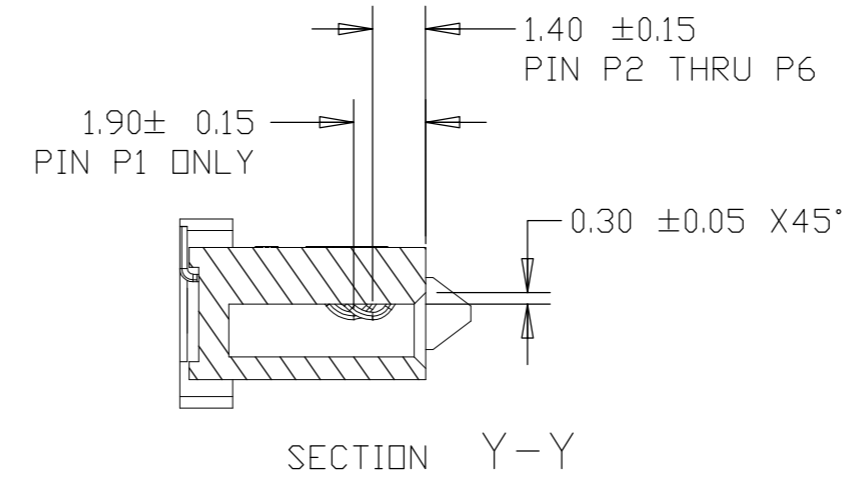
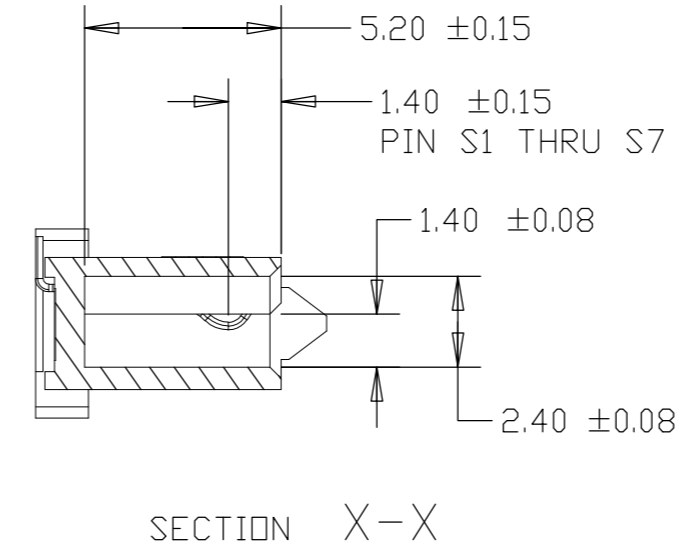
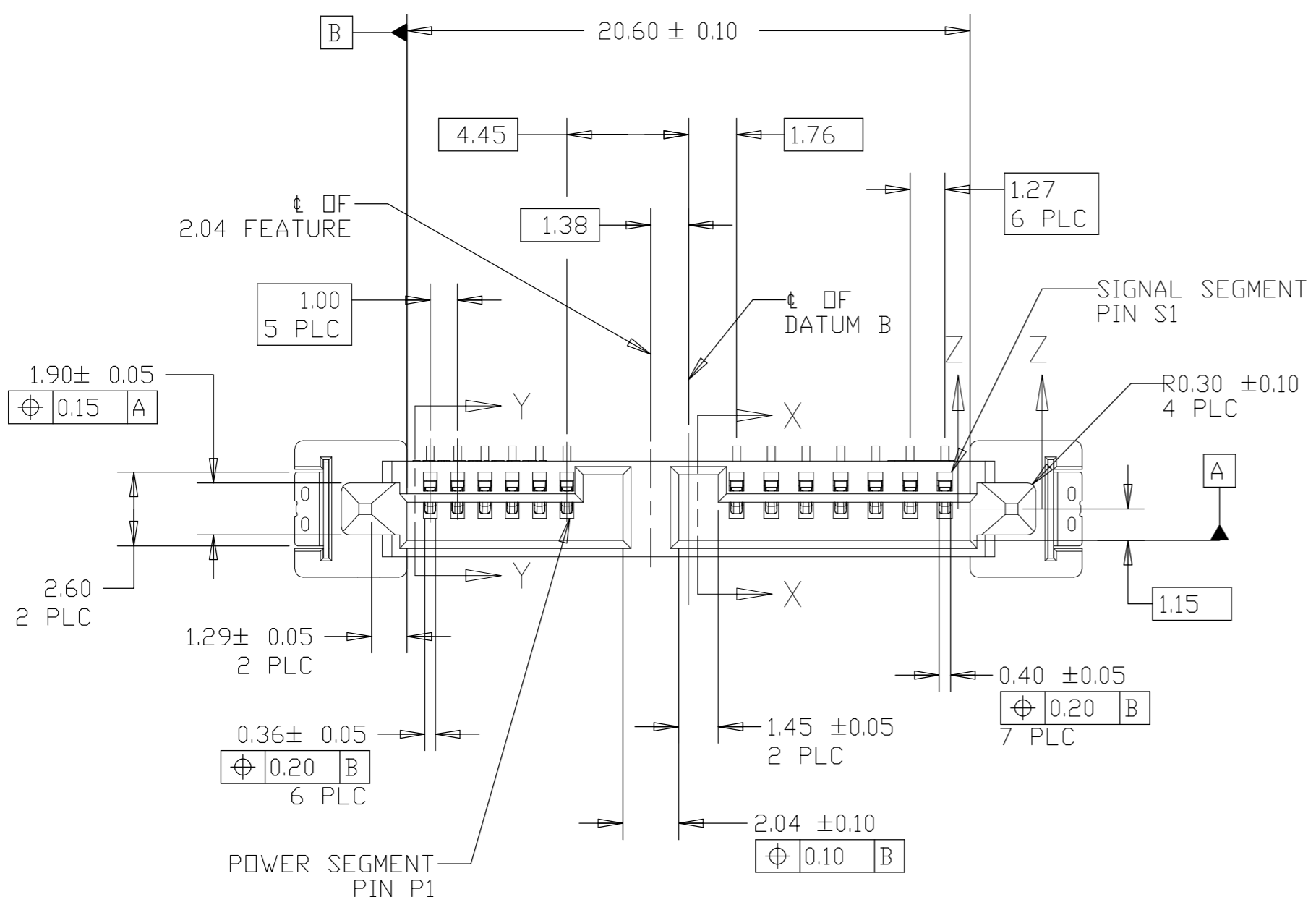


THIS DRAWING IS UNPUBLISHED. RELEASED FOR PUBLICATION
 © COPYRIGHT BY - ALL RIGHTS RESERVED.

REVISIONS				
P	LTR	DESCRIPTION	DATE	APVD
A5		REVISED (ECR-18-001061)	30JAN2018	E.Z WK.H



NOTES:

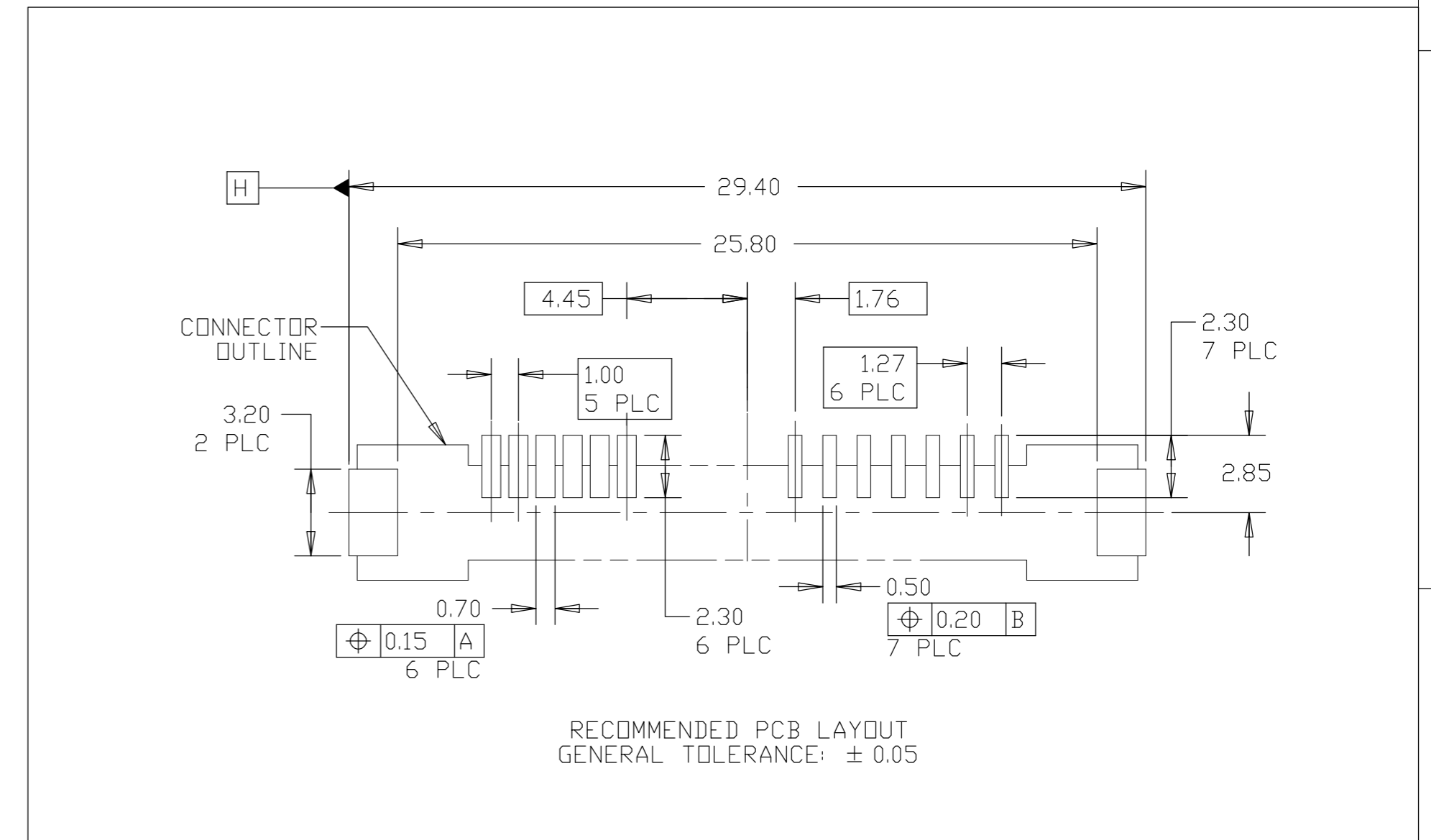
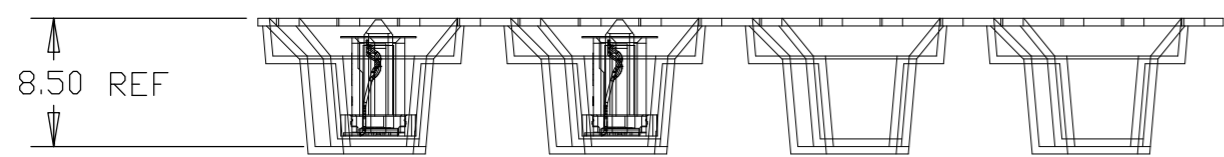
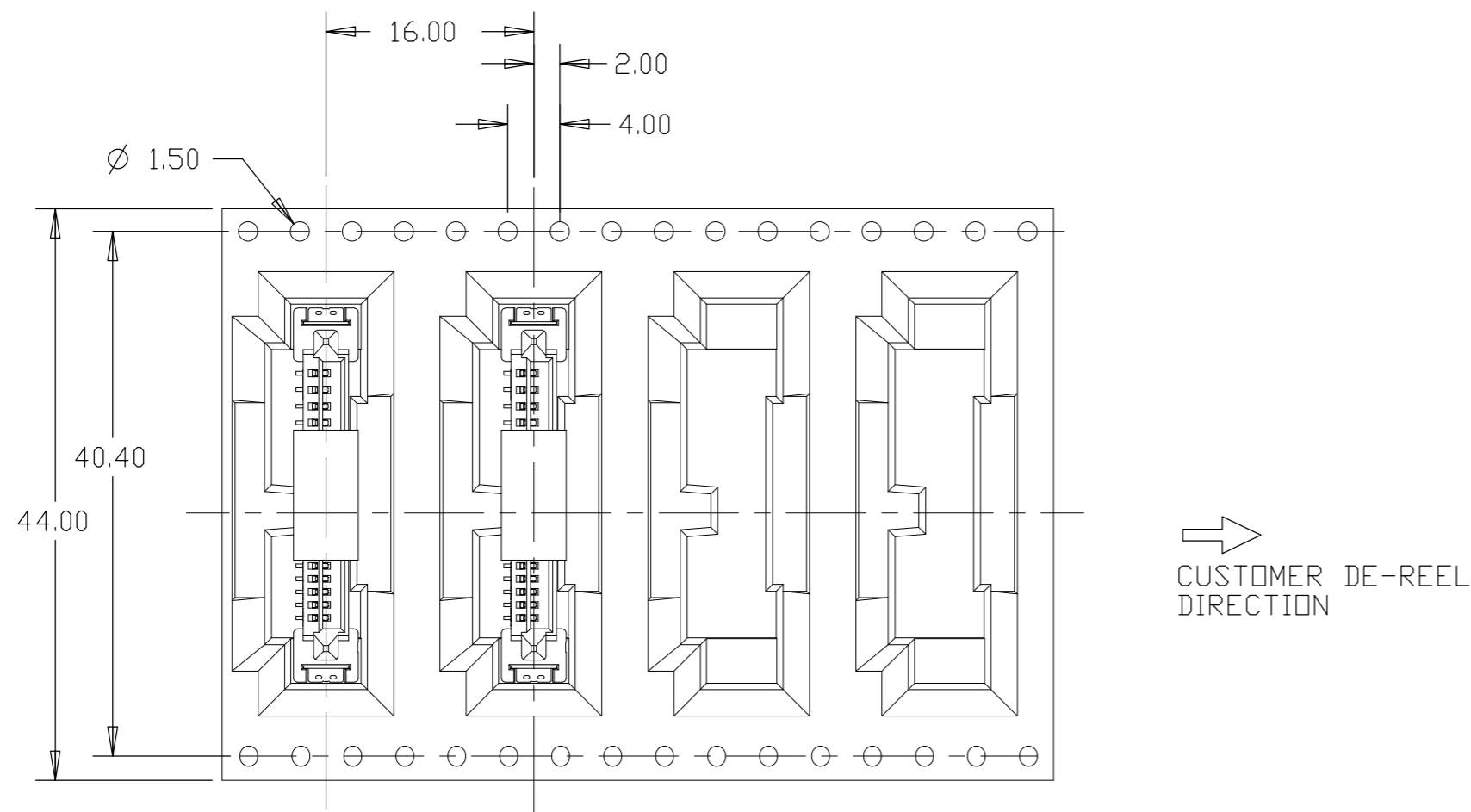
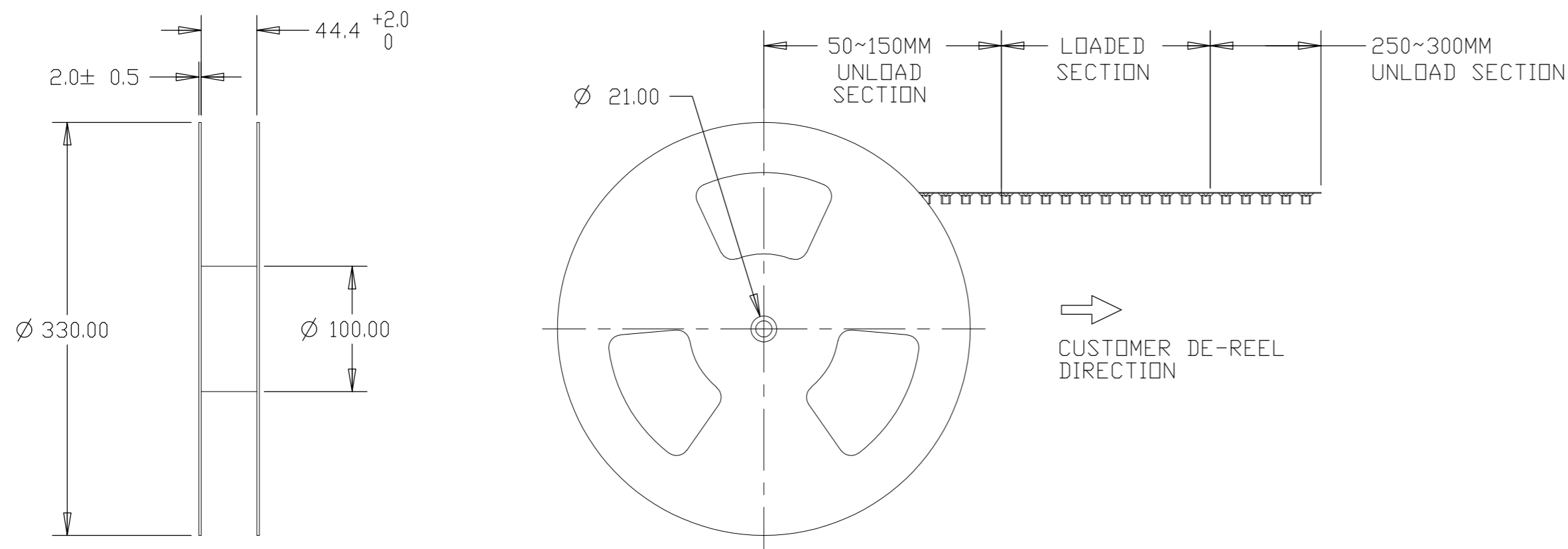
- 1 MATERIAL:
 HOUSING: HIGH TEMP THERMOPLASTIC, UL94V-0, COLOR: BLACK
 CONTACT: COPPER ALLOY
 SOLDER PEG: COPPER ALLOY
- 2 FINISH:
 CONTACT MATING AREA: GOLD PLATING OR GOLD FLASH OVER PALLADIUM-NICKEL (SEE TABLE FOR THICKNESS)
 CONTACT SOLDER TAIL: MIN 2.54um MATTE TIN PLATING
 SOLDER PEG: MIN 2.54um MATTE TIN PLATING
 UNDERPLATE: MIN 1.27um NICKEL PLATING ALL OVER
- 3. PACKAGING: TAPE & REEL.
 QTY: 500PCS/REEL

0.76um MIN	1735539-3
0.38um MIN	1735539-2
GOLD FLASH ONLY	1735539-1
AU OR PD-NI THICKNESS	PART NUMBER

THIS DRAWING IS A CONTROLLED DOCUMENT.		DWN SK LEAW 12MAR2008	TE Connectivity	
DIMENSIONS: MM		CHK SF LEONG 12MAR2008		
TOLERANCES UNLESS OTHERWISE SPECIFIED:		APVD SF LEONG 12MAR2008	NAME SLIMLINE SATA RECEPTACLE, VERTICAL, SMT, 6.5H	
0 PLC ± 1 PLC ±0.4 2 PLC ±0.20 3 PLC ± 4 PLC ± ANGLES ±3° FINISH		PRODUCT SPEC 108-51075	SIZE A2	
MATERIAL 1		APPLICATION SPEC -	CAGE CODE 00779	DRAWING NO C-1735539
		WEIGHT -	RESTRICTED TO	
CUSTOMER DRAWING		SCALE 5:1	SHEET 1 OF 2	REV A5

THIS DRAWING IS UNPUBLISHED. RELEASED FOR PUBLICATION 20
 © COPYRIGHT BY - ALL RIGHTS RESERVED.

REVISIONS					
P	LTR	DESCRIPTION	DATE	DWN	APVD
-		SEE SHEET 1	-	-	-



THIS DRAWING IS A CONTROLLED DOCUMENT.		DWN SK LEAW 12MAR2008			
DIMENSIONS: MM		CHK SF LEONG 12MAR2008			
TOLERANCES UNLESS OTHERWISE SPECIFIED:		APVD SF LEONG 12MAR2008	NAME SLIMLINE SATA RECEPTACLE, VERTICAL, SMT, 6.5H		
ϕ ± 0.4 ± 0.20 \pm \pm		PRODUCT SPEC 108-51075	SIZE A2	CAGE CODE 00779	DRAWING NO C=1735539
MATERIAL FINISH		APPLICATION SPEC -	SCALE 5:1	SHEET 2 OF 2	REV A5
		WEIGHT -	RESTRICTED TO		
		CUSTOMER DRAWING			

Mouser Electronics

Authorized Distributor

Click to View Pricing, Inventory, Delivery & Lifecycle Information:

[TE Connectivity:](#)

[1735539-2](#)