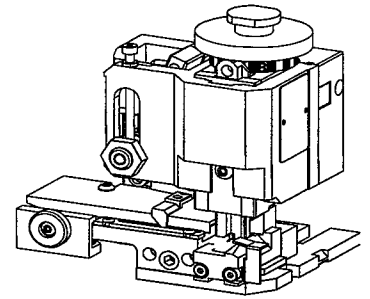




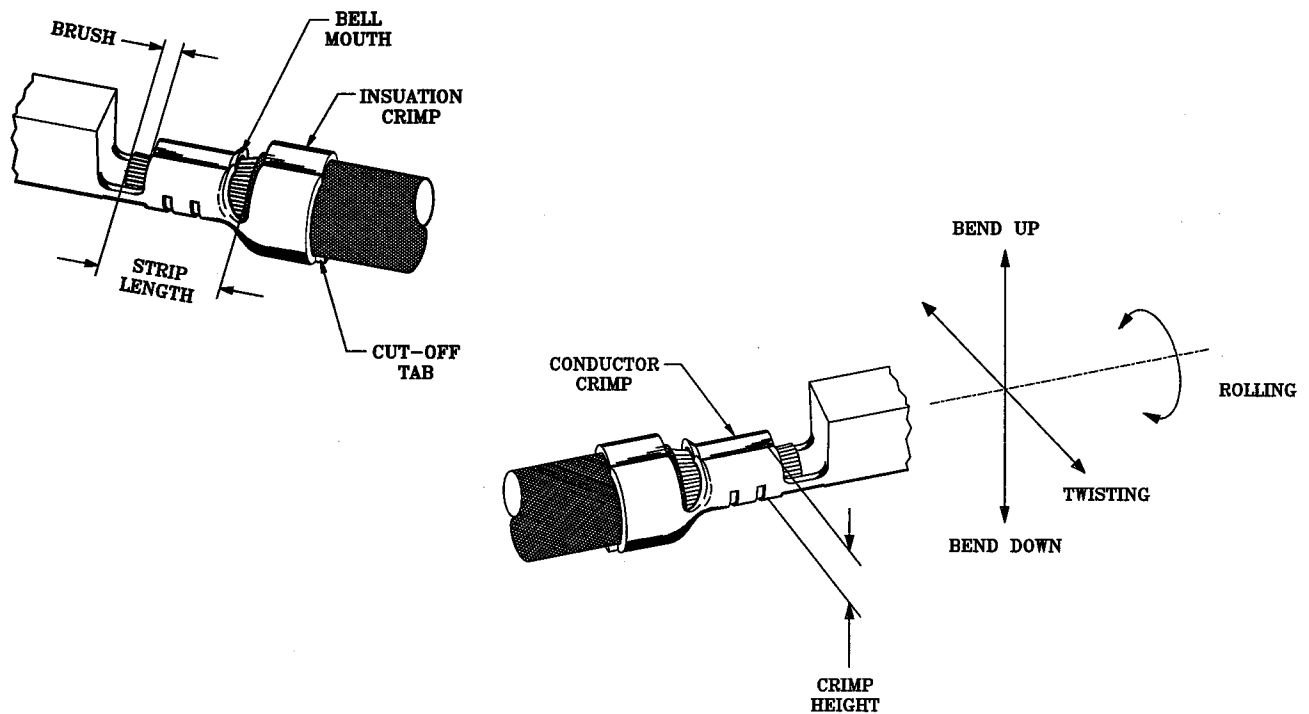
**SPECIFICATION SHEET**  
**FineAdjust Applicator**  
**63863-5000**  
**REVISION A**



**SCOPE**

Terminal Series No		Wire Size Awg (mm <sup>2</sup> )		Insulation Diameter mm (in)		Strip Length mm (in)	
50397-8*	50398-8*	22-28	(0.34-0.079)	1.8-1.15	(.071-.045)	2.6-3.1	(.102-.122)

**DEFINITION OF TERMS**



The above terminal drawing is a generic terminal representation. It is not an image of a terminal listed in the scope

## SPECIFICATIONS

Terminal Series No.		Bellmouth mm (in)		Cut-Off Tab Max. mm (in)		Conductor Brush mm (in)	
50397-8*	50398-8*	0.05-0.60	(.002-.023)	0.2	(.008)	0-0.8	(.000-.031)

Terminal Series No.		Bend Up Degree	Bend Down Degree	Twist Degree	Roll	Punch Width mm Conductor Insulation	
50397-8*	50398-8*	3	3	3	6	1.20	1.80

The above specifications are guidelines to an optimum crimp.

## CONDITIONS

After crimping, the conductor profile should measure the following.

Terminal Series		Wire Size Awg (mm <sup>2</sup> )		Crimp Height mm (in)		Pull Force Min N (lbs)	
50397-8*	50398-8*	22	(0.35)	0.84-0.89	(.033-.035)	39.2	(8.80)
50397-8*	50398-8*	24	(0.20)	0.76-0.81	(.030-.032)	29.4	(6.60)
50397-8*	50398-8*	26	(0.12)	0.71-0.76	(.028-.030)	19.6	(4.40)
50397-8*	50398-8*	28	(0.80)	0.67-0.72	(.026-.028)	9.8	(2.20)

Pull Force measured with no influence from the insulation crimp

## PARTS LIST

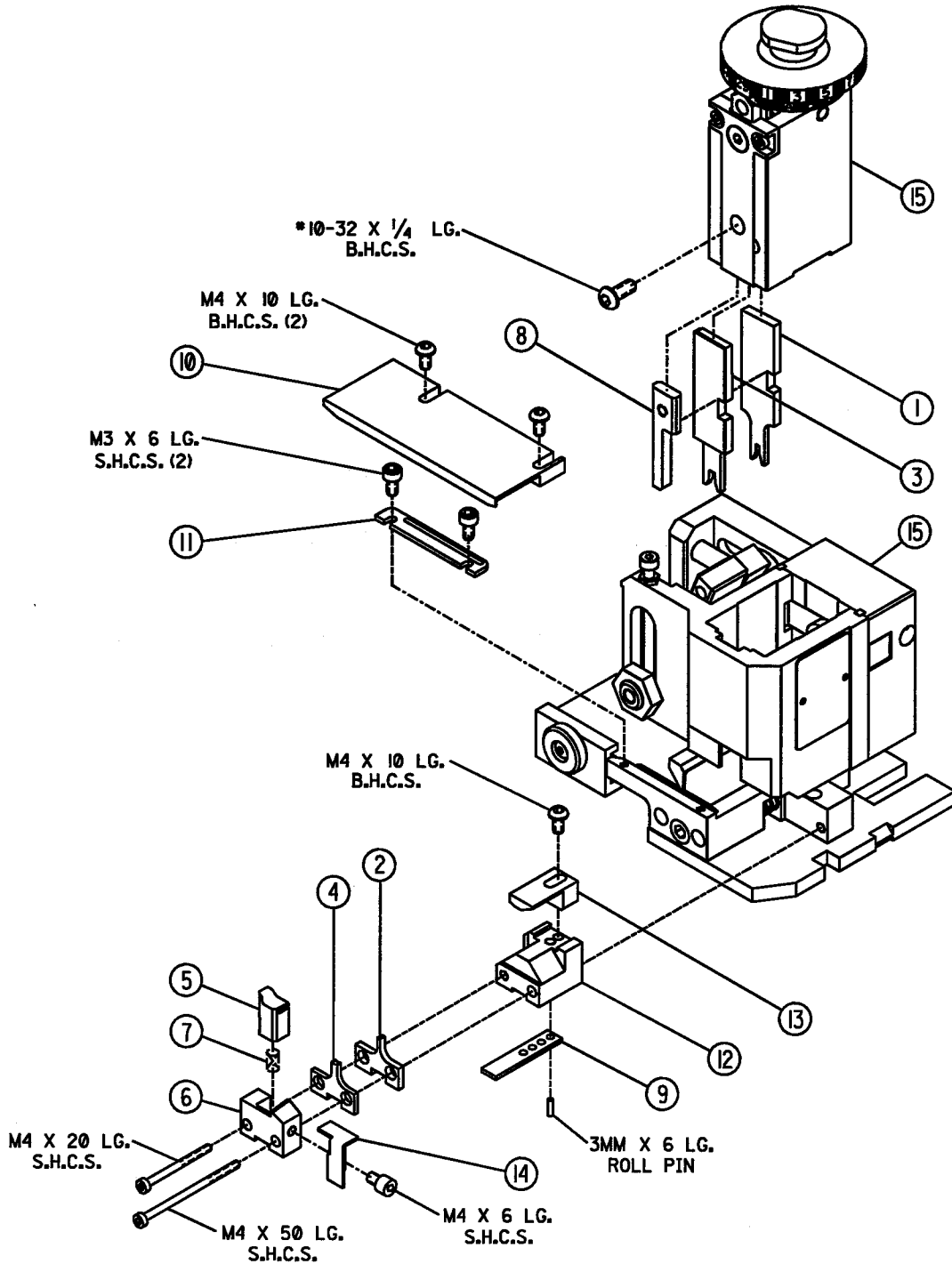
Item Number	Order Number	Eng Number	Description	Qty	Kit Part
1	63444-1212	634441212	Conductor Punch	1	Y
2	63445-1221	634451221	Conductor Anvil	1	Y
3	63446-1815	634461815	Insulation Punch	1	Y
4	63445-1824	634451824	Insulation Anvil	1	Y
5	63443-0002	634430002	Cut-Off Plunger	1	Y
6	63443-0012	634430012	Front Plunger Retainer	1	Y
7	011-24-1067	4996-4	Cut-Off Plunger Spring	1	
8	011-40-4039	8302-5	Front Plunger Striker	1	
9	63443-0021	634430021	Lower Tooling Key	1	
10	63443-6003	634436003	Rear Cover	1	
11	011-18-4083	60707-8	Front Cover	1	
12	63443-2406	634432406	Anvil Mount	1	
13	63443-4005	634434005	Wire Stop	1	
14	63443-0009	634430009	Scrap Chute	1	
15	63800-4900	638004900	FineAdjust Applicator	1	
70	63863-5070	638635070	Tool Kit (All "Y" Items)	0	

## NOTES

1. We recommend an extra perishable tooling kit be maintained at your facility.
2. Verify tooling alignment by manually cycling the press and Applicator before crimping under power.
3. Slugs , Terminals, Dirt and Oil should be kept clear of work area.
4. This Applicator should only be used in a press with a shut height of 135.8 mm (5.346"). Tooling damage could result at a lower setting.
5. **\*\* CAUTION\*\*** To prevent injury never operate this Applicator without the guarding supplied with the press or wire processing machine in place. Reference the press or wire processing manufacturer's instruction manual.
6. Wear safety glasses at all times.

# ASSEMBLY DRAWING

The drawing below is a generic drawing representation. Some detail may not be shown. The FineAdjust applicator assembly and parts list can be found in the FineAdjust manual.



# Mouser Electronics

Authorized Distributor

Click to View Pricing, Inventory, Delivery & Lifecycle Information:

[Molex:](#)

[63863-5070](#)