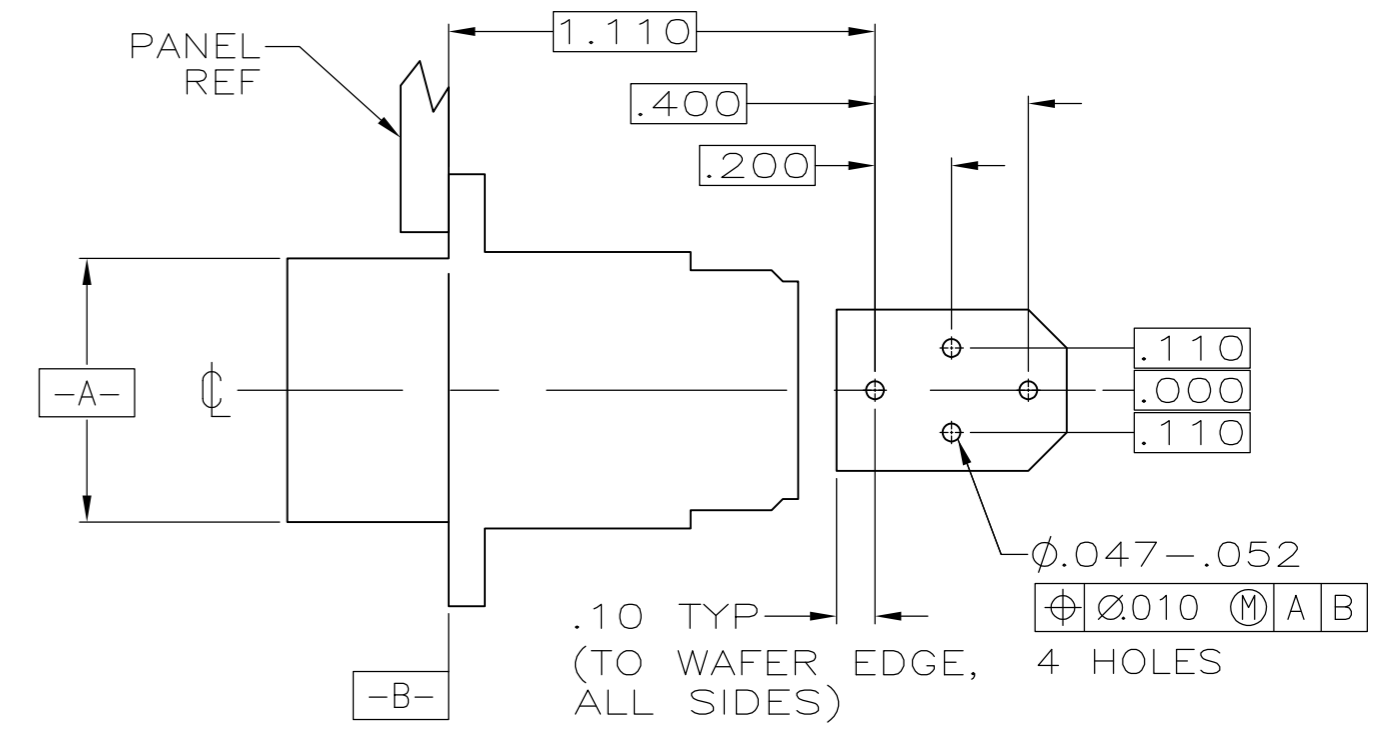
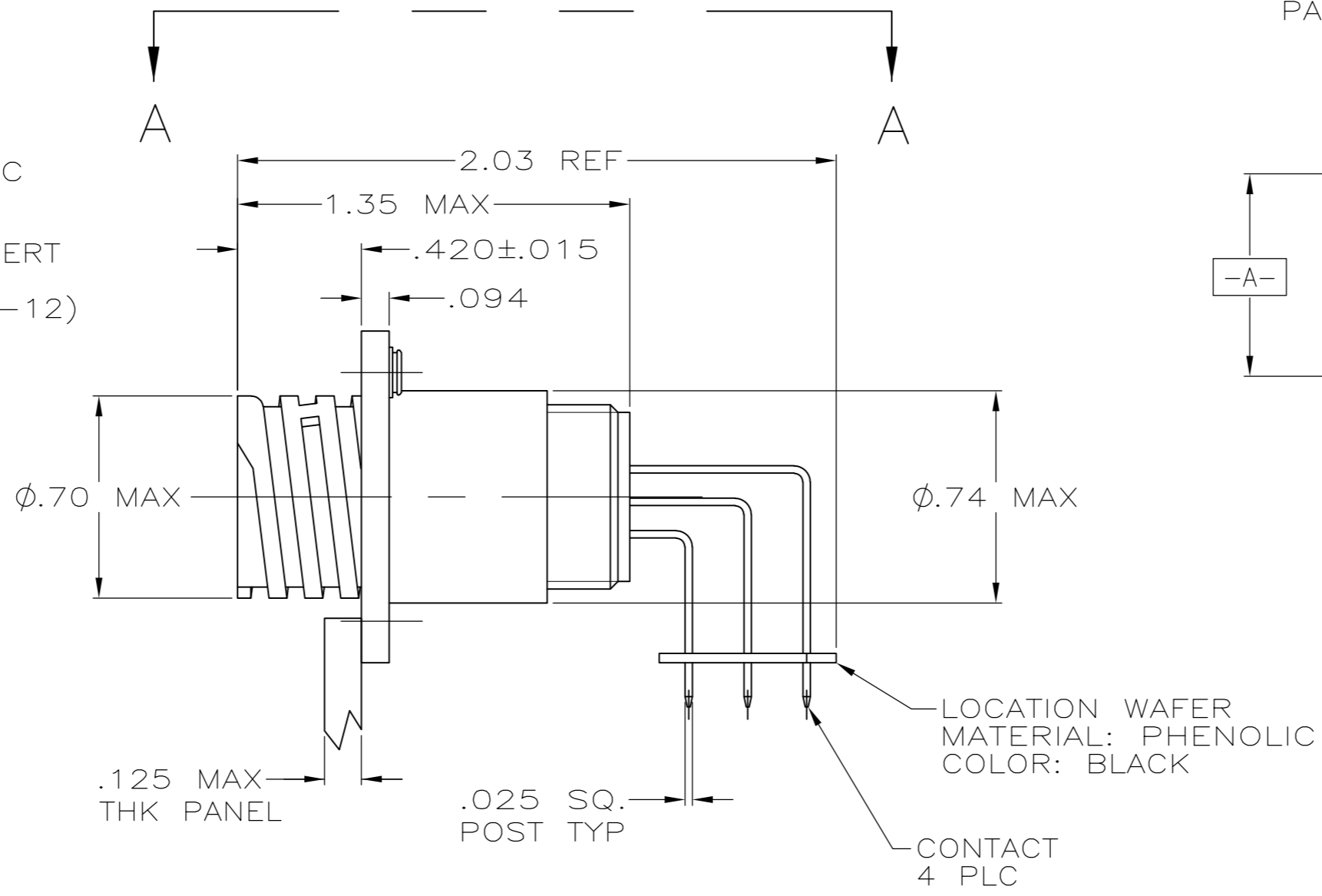
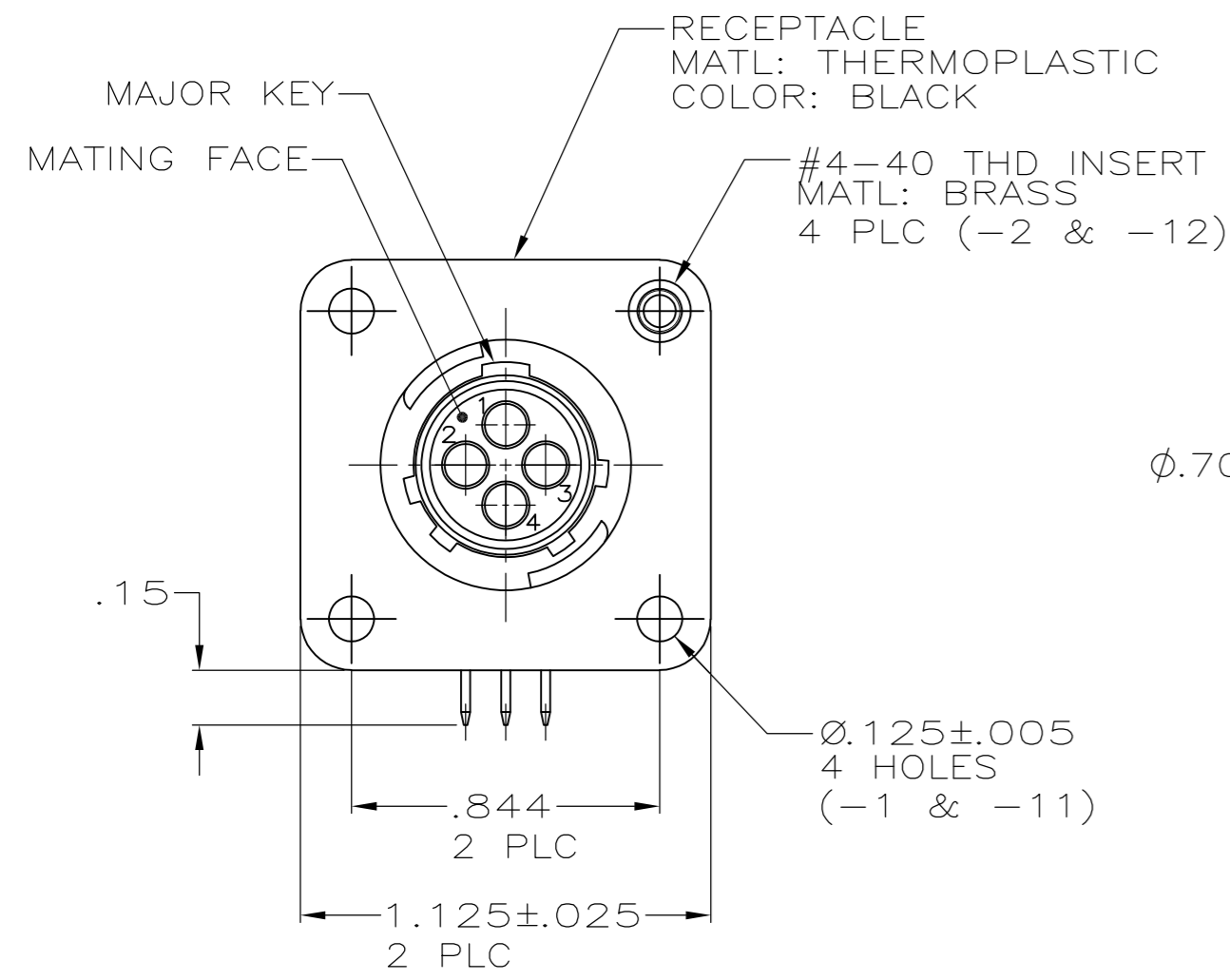
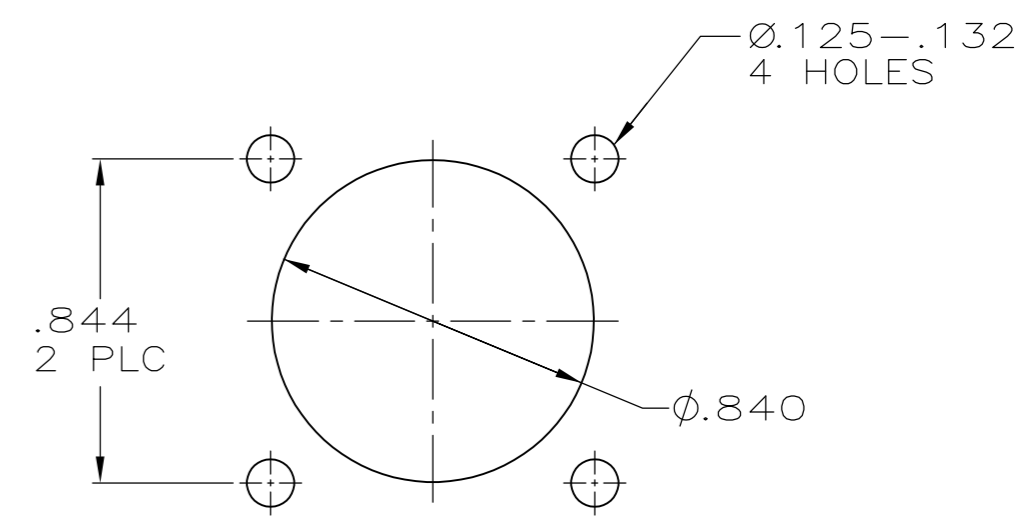


THIS DRAWING IS UNPUBLISHED. RELEASED FOR PUBLICATION  
 © COPYRIGHT - By - ALL RIGHTS RESERVED.

REVISIONS					
P	LTR	DESCRIPTION	DATE	DWN	APVD
E1		REVISED PER ECO-16-004800	08SEP2016	NK	MZ



VIEW A-A  
 RECOMMENDED PC BOARD LAYOUT



- 1 CONTACT CAVITIES IDENTIFIED BY CHARACTERS ON FRONT AND REAR FACES OF CONNECTOR.
- 2 #4 FASTENER RECOMMENDED FOR -1 MOUNTING.  
#4 FASTENER REQUIRED FOR -2 MOUNTING.
- 3 CONTACT BODY: .000030 MIN GOLD FOR A LENGTH OF .250 MIN FROM MATING END, WITH REMAINDER TO BE GOLD FLASH, BOTH OVER .000050 MIN NICKEL.  
CONTACT POST: .000100 MIN TIN-LEAD OVER .000100 MIN COPPER.
- 4 PC BOARD HOLE PATTERN IS DEFINED RELATIVE TO CONNECTOR C.L. AND PANEL MOUNTING FACE INDICATED.
- 5 CONTACT BODY: .000030 MIN GOLD FOR A LENGTH OF .250 MIN FROM MATING END, WITH REMAINDER TO BE GOLD FLASH, BOTH OVER .000050 MIN NICKEL.  
CONTACT POST: .000100 MIN TIN OVER .000100 MIN COPPER.

RECOMMENDED PANEL CUTOUT

CONTACT FINISH	CONFIG.	PART NUMBER
5	W/INSERTS	1-796403-2
5	W/O INSERTS	1-796403-1
3	W/INSERTS	-796403-2-
3	W/O INSERTS	796403-1

THIS DRAWING IS A CONTROLLED DOCUMENT.		DWN HAMNER 2-19-00	<b>TE</b> TE Connectivity	
DIMENSIONS: INCHES		CHK M.CHACKO 2-24-00		
TOLERANCES UNLESS OTHERWISE SPECIFIED:		APVD M.CHACKO 2-24-00	NAME RECEPTACLE ASSY, POSTED, RT ANGLE, STD SEX, SIZE 11-4, SERIES 1, CPC	
0 PLC ± -		PRODUCT SPEC	SIZE CAGE CODE DRAWING NO RESTRICTED TO	
1 PLC ± -		APPLICATION SPEC	A2 00779 C=796403	
2 PLC ± .03		WEIGHT	SCALE 2:1 SHEET 1 of 1 REV E1	
3 PLC ± .010		CUSTOMER DRAWING		
4 PLC ± -				
ANGLES ± -				
FINISH				

# Mouser Electronics

Authorized Distributor

Click to View Pricing, Inventory, Delivery & Lifecycle Information:

[TE Connectivity:](#)

[1-796403-1](#)