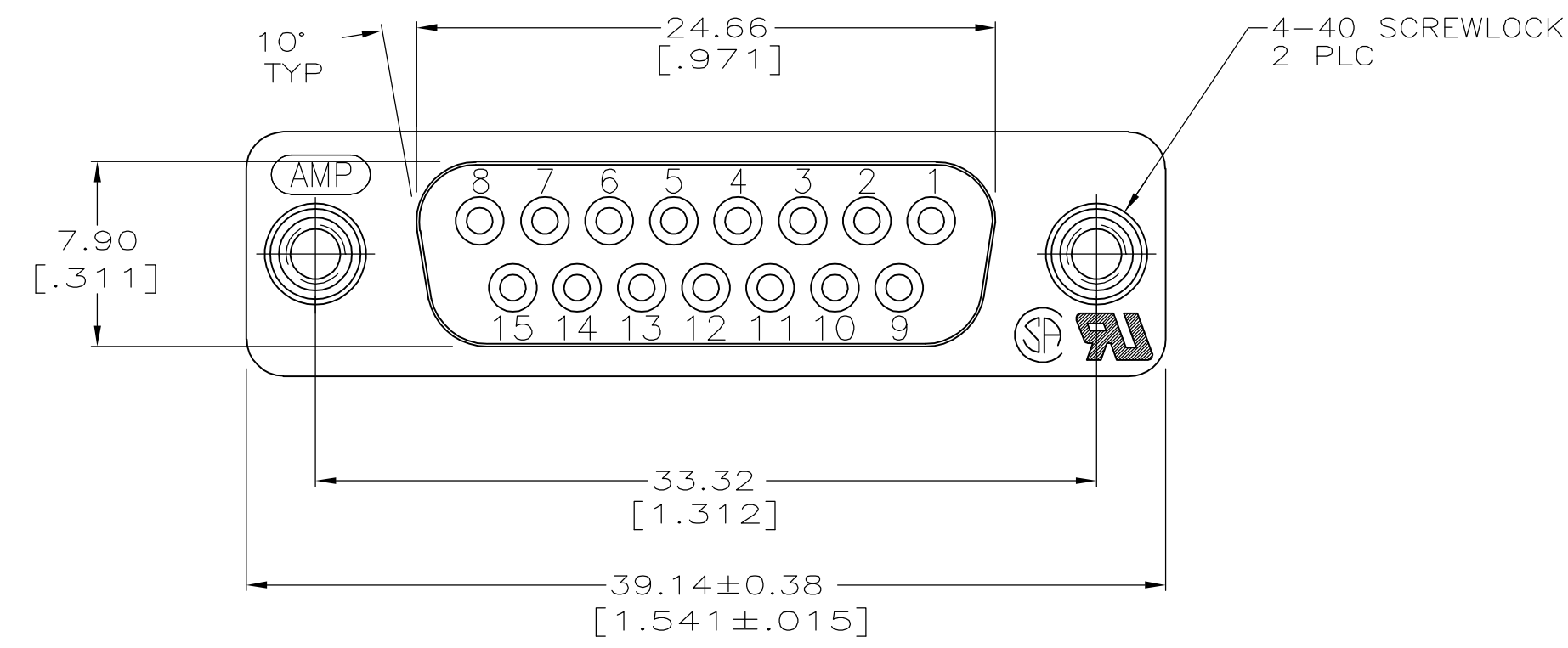
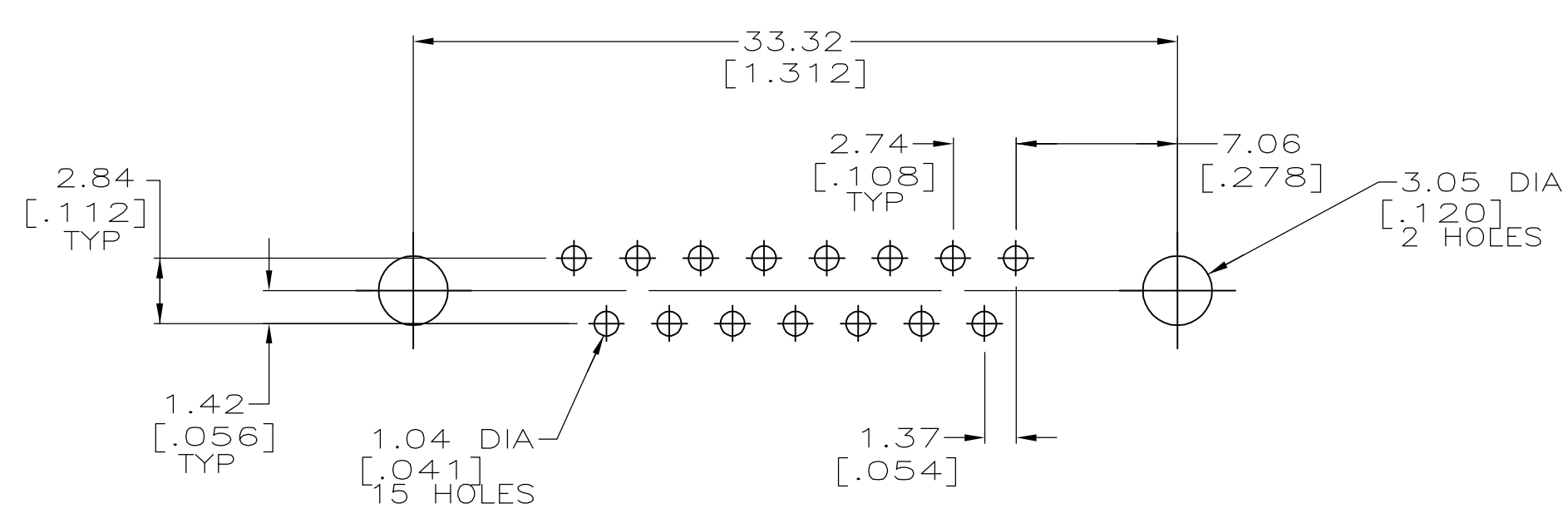
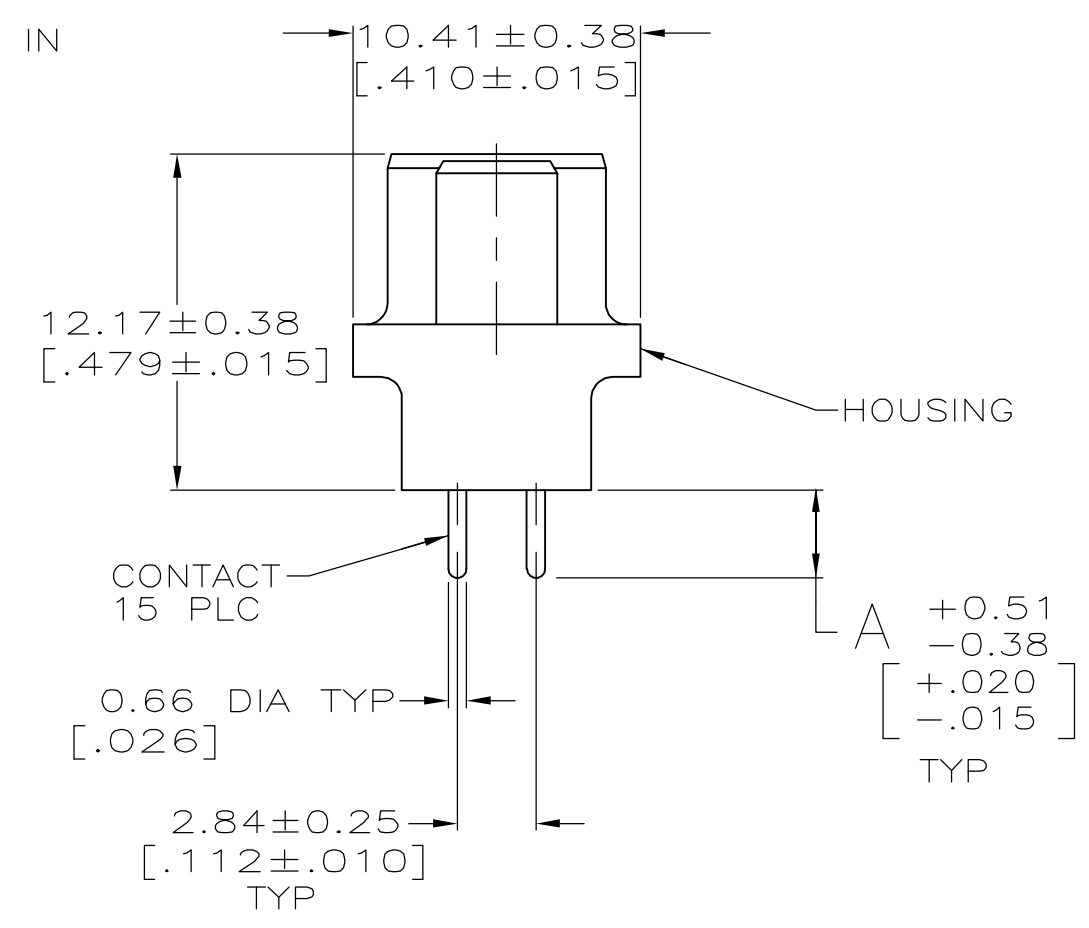
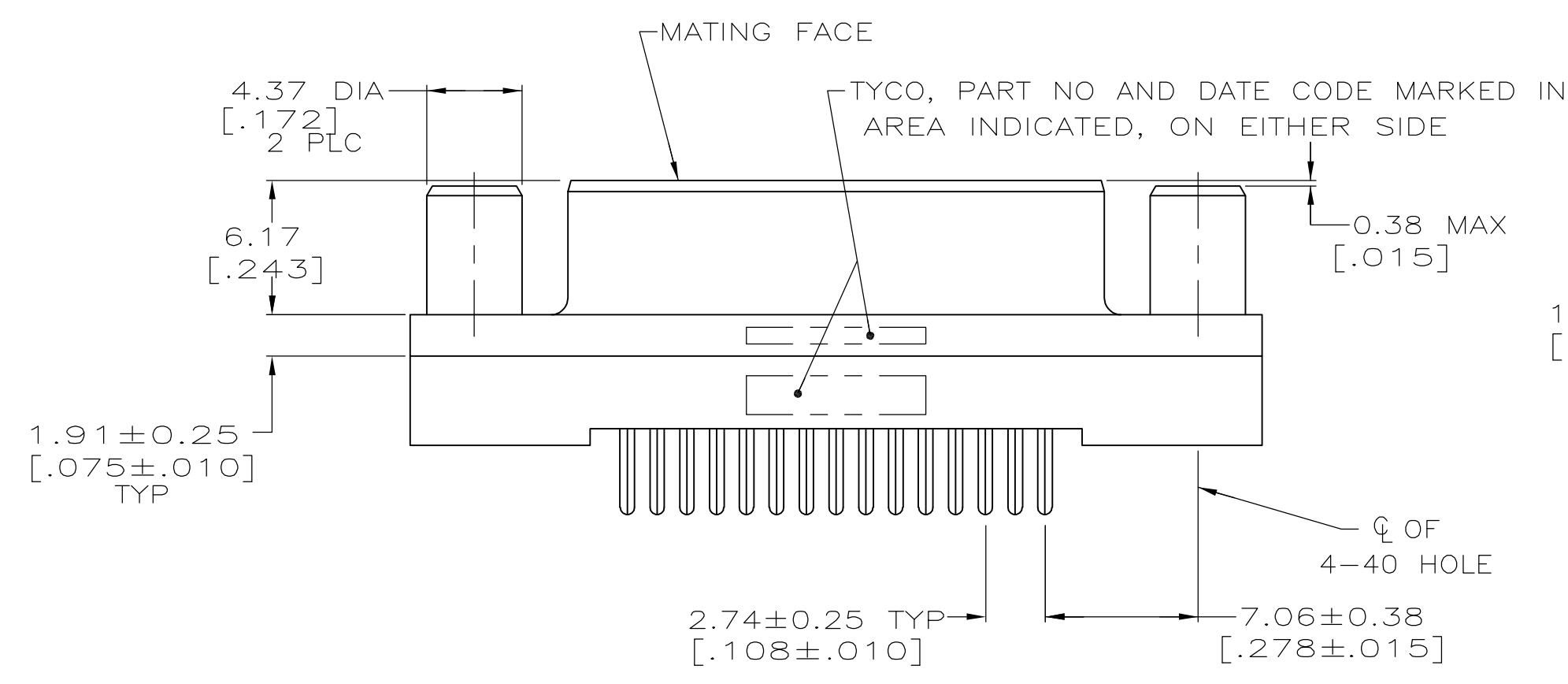


LOC	DIST	REVISIONS					
GP	00	P	LTR	DESCRIPTION	DATE	OWN	APVD
		0		RELEASED PER EC 0S13-0087-05	31AUG05	GP	JG



- ① HOUSING: BLACK POLYESTER, UL 94V-0 RATED; CONTACTS: PHOSPHOR BRONZE; SCREWLOCKS: BRASS.
- ② CONTACTS: SEE TABLE. SCREWLOCKS: 1.27µm [0.000050] MIN NICKEL OVER COPPER FLASH.
- ③ GOLD FLASH FOR A LENGTH OF 2.54 [0.100] MIN FROM MATING END, 2.54µm [0.000100] MIN TIN FOR A LENGTH OF DIMENSION A FROM OPPOSITE END, ALL OVER 1.27µm [0.000050] MIN NICKEL.
- ④ 0.76 µm [0.000030] MIN GOLD FOR A LENGTH OF 2.54 [0.100] MIN FROM MATING END, 2.54µm [0.000100] MIN TIN FOR A LENGTH OF DIMENSION A FROM OPPOSITE END, ALL OVER 1.27µm [0.000050] MIN NICKEL.



RECOMMENDED PC BOARD MOUNTING DIMENSIONS

4.32 [0.170]	④	5745077-6
3.18 [0.125]	④	5745077-4
3.18 [0.125]	③	5745077-3
A	CONTACT FINISH	PART NO

THIS DRAWING IS A CONTROLLED DOCUMENT.		DWN G.PETERS 31AUG05	Tyco Electronics Corporation	
DIMENSIONS: mm [INCHES]		CHK J.GERACE 31AUG05	Harrisburg, Pa 17105-3608	
TOLERANCES UNLESS OTHERWISE SPECIFIED:		APVD M.WALMSLEY 31AUG05	NAME	
0 PLC ± -	1 PLC ± -	RECEPTACLE ASSEMBLY, SIZE 2,		
2 PLC ± 0.13 [0.005]	3 PLC ± -	15 POSN, VERTICAL,		
4 PLC ± -	ANGLES ± ± 2'	AMPLIMITE HD-20		
MATERIAL	FINISH	PRODUCT SPEC 108-40025	SIZE A2	CAGE CODE 00779
①	②	APPLICATION SPEC	DRAWING NO G-5745077	RESTRICTED TO
CUSTOMER DRAWING		WEIGHT -	SCALE 4:1	SHEET 1 OF 1
			REV 0	

Mouser Electronics

Authorized Distributor

Click to View Pricing, Inventory, Delivery & Lifecycle Information:

[TE Connectivity:](#)

[5745077-4](#)