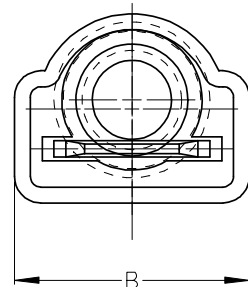
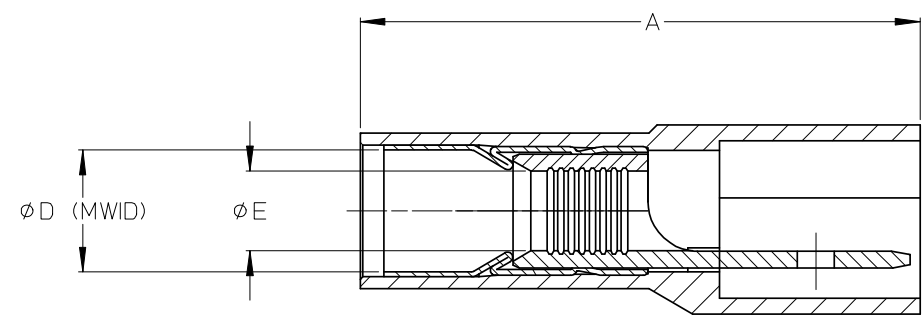
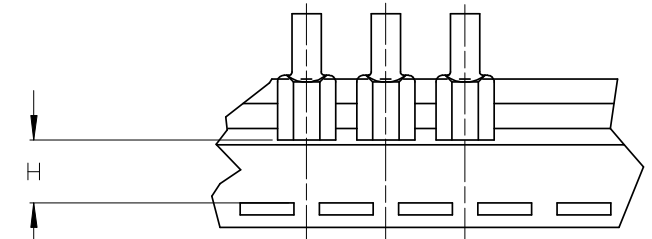
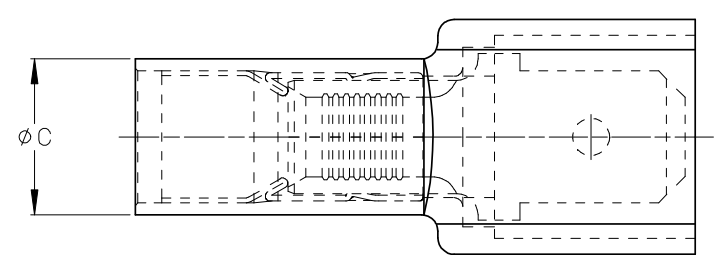


ASSEMBLY NUMBER		TAPE NUMBER		ITEM DESCRIPTION			DIMENSIONS					
MATERIAL NUMBER	ENGINEERING NUMBER	MATERIAL NUMBER	TAPE ENG. NUMBER	COLOR	WIRE GAUGE	TAB SIZE	'A' MAX	'B' MAX	'C' MAX	'D' MIN	'E' MIN	'H' REF
190010010	C-5264	190010011	C-5264T	YELLOW	12-10 AWG (3.09-5.01mm <sup>2</sup> )	.250 x .032 (6.35 x 0.81)	1.08/27.4	.45/11.4	.31/7.9	.230/5.84	.144/3.66	.415/10.5



- Ⓑ NOTES:
1. TERMINAL MATERIAL: BRASS
  2. TERMINAL PLATING: ZINC CHROMATE
  3. HOUSING: 6/6 NYLON
  4. MWID: MAXIMUM WIRE INSULATION DIAMETER
  5. TAB DIMENSIONS CONFORM TO UL310 SPECIFICATIONS.
  6. ASSEMBLY IS ROHS COMPLIANT

REDRAW, MATERIALS EIC NO: ETC2007-0081 DRAWN: EHILE 2008/01/28 CHKD: MACNEIL 2008/01/28 APPR: MACNEIL 2008/02/13 REV DESCRIPTION	QUALITY SYMBOLS	GENERAL TOLERANCES (UNLESS SPECIFIED)	DIMENSION STYLE	SCALE	DESIGN UNITS	THIRD ANGLE PROJECTION
	$\nabla=0$ $\nabla=0$	mm INCH 4 PLACES $\pm$ --- $\pm$ --- 3 PLACES $\pm 0.005$ $\pm .005$ 2 PLACES $\pm 0.13$ $\pm .01$ 1 PLACE $\pm 0.25$ $\pm$ --- ANGULAR $\pm 1/2^\circ$	IN/MM Ⓑ	4:1	INCH	
		DRAFT WHERE APPLICABLE MUST REMAIN WITHIN DIMENSIONS	DRAWN BY ASAYDEH DATE 2005/11/01 CHECKED BY REDEROSS DATE 2005/11/01 APPROVED BY REDEROSS DATE 2005/11/01	TITLE AVIKRIMP FULLY INSULATED MALE TAB		
			MATERIAL NO. SEE CHART SIZE B THIS DRAWING CONTAINS INFORMATION THAT IS PROPRIETARY TO MOLEX INCORPORATED AND SHOULD NOT BE USED WITHOUT WRITTEN PERMISSION	MOLEX MOLEX INCORPORATED DOCUMENT NO. SD-19001-002 SHEET NO. 1 OF 1		

# Mouser Electronics

Authorized Distributor

Click to View Pricing, Inventory, Delivery & Lifecycle Information:

[Molex:](#)

[19001-0061](#)