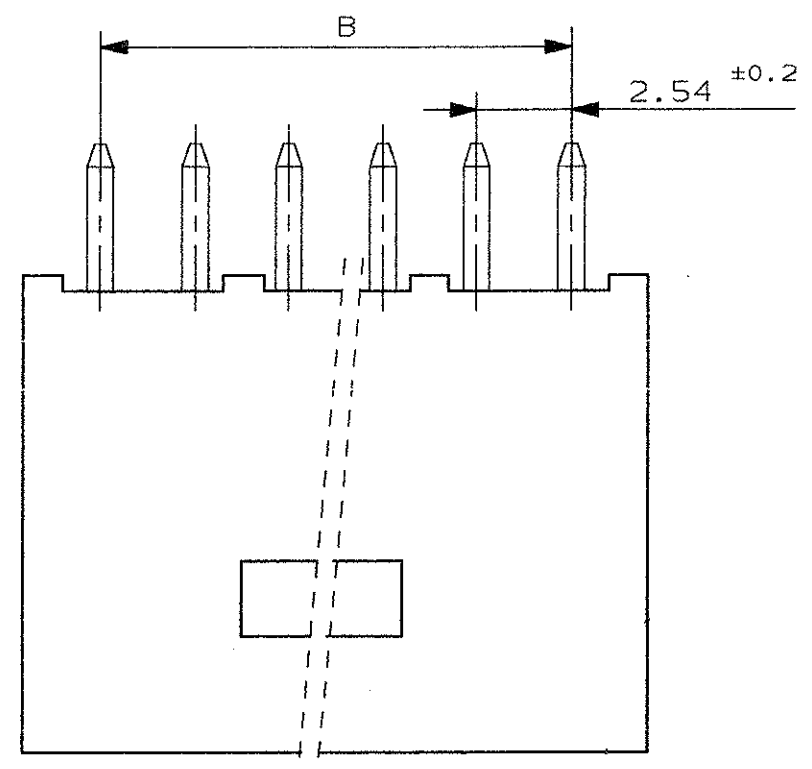


ZONA A SALDARE SU C.S.  
(SOLDER AREA)

AREA DI CONTATTO  
(CONTACT AREA)

SEZ. PARZIALE (PARTIAL SEC.) A-A



|      |       |                                   |                                   |                                   |          |
|------|-------|-----------------------------------|-----------------------------------|-----------------------------------|----------|
| 58.5 | 53.34 | 280376-3                          | <del>280376-2</del> <sup>6</sup>  | 280376-1                          | 22       |
| 40.7 | 35.56 | 280375-3                          | 280375-2                          | 280375-1                          | 15       |
| 33.1 | 27.94 | 280520-3                          | 280520-2                          | 280520-1                          | 12       |
| 28.0 | 22.86 | 280374-3                          | 280374-2                          | 280374-1                          | 10       |
| 25.4 | 20.32 | <del>280508-3</del> <sup>5</sup>  | 280508-2                          | 280508-1                          | 9        |
| 22.9 | 17.78 | <del>280373-3</del> <sup>6</sup>  | 280373-2                          | 280373-1                          | 8        |
| 17.8 | 12.70 | 280372-3                          | 280372-2                          | 280372-1                          | 6        |
| 12.7 | 7.62  | 280371-3                          | 280371-2                          | 280371-1                          | 4        |
| 7.7  | 2.54  | 280370-3                          | 280370-2                          | 280370-1                          | 2        |
| D    | B     | NUMERO (PART NUMBER) <sup>3</sup> | NUMERO (PART NUMBER) <sup>2</sup> | NUMERO (PART NUMBER) <sup>1</sup> | NO. POS. |

- <sup>1</sup> FINITURA (FINISH): 3 - 5µm TIN OVER 1.27µm NICKEL
- <sup>2</sup> FINITURA (FINISH): DORATO 0.4µm NELL'AREA DI CONTATTO E STAGNATO 2.5µm NELLA ZONA A SALDARE, SU 1.3µm DI NI. (DUPLIX PLATED 0.4µm GOLD IN CONTACT AREA AND 2.5µm TIN IN SOLDER AREA, OVER 1.3µm NICKEL).
- <sup>3</sup> FINITURA (FINISH): DORATO 0.8µm NELL'AREA DI CONTATTO E STAGNATO 2.5µm NELLA ZONA A SALDARE, SU 1.3µm DI NI. (DUPLIX PLATED 0.8µm GOLD IN CONTACT AREA AND 2.5µm TIN IN SOLDER AREA, OVER 1.3µm NICKEL).
- <sup>4</sup> MATERIALI (MATERIALS):  
-BLOCCHETTI: POLIESTERE AUTOESTINGUENTE UL94V-0, COLORE NERO.  
(HOUSINGS: FLAME RETARDANT THERMOPLASTIC, COLOR BLACK).  
- TIN AND GOLD PLATED CONTACTS: BRASS

<sup>5</sup> P/N OBSOLETO (OBSOLETE P/N)

<sup>6</sup> OBSOLETE

CUSTOMER DRAWING FOR REFERENCE ONLY  
DISEGNO PER CLIENTE SOLO PER RIFERIMENTO

THIS DRAWING IS UNPUBLISHED  
© COPYRIGHT 1998 BY TE INCORPORATED, HARRISBURG, PA. ALL INTERNATIONAL RIGHTS RESERVED. TE PRODUCTS MAY BE COVERED BY U.S. AND FOREIGN PATENT AND/OR PATENT PENDING

TOLLERANZE, SE NON DIVERSAMENTE SPECIFICATO  
(TOLERANCES, UNLESS OTHERWISE SPECIFIED)

MATERIALI (MATERIALS)  
VEDERE NOTA (SEE NOTE) <sup>4</sup>

SCALA (SCALE)  
5:1

|     |  |                       |          |                                |
|-----|--|-----------------------|----------|--------------------------------|
| M1  | NOTE 1 UPDATED TO ADD NICKEL UNDERLAYER        | KJK                   | PS       | ± 0.3                          |
| M   | STREAMLINING OF CONTACT BASE MATERIAL TO BRASS | SMT                   | RP       | ANGOLI (ANGLES) ± 2°           |
| L2  | ECR-10-022530                                  | KK                    | 10FEB11  | DIS. G. CAMPIA (DR.) 12 FEB 90 |
| L1  | MODIFIED PER ET00-0263-98                      | 10FEB11               | 28-9 '98 |                                |
| L   | OBSOLETE P/N 280503-3 (ET00-518-96)            | C.P.                  | 4-12 '96 | CONT. (CHK) -                  |
| K   | AGGIORNATO E RIDISEGNATO (REVISED & REDRAWN)   | G.C.                  | 2/90     | APP. (APP.) -                  |
| REV | REVISIONI (REVISION RECORD)                    | DIS. DATA (DR) (DATE) |          |                                |

TE Connectivity

DESCRIZIONE (DESCRIPTION)  
AMPMODU II HEADER  
ASS. IES, STRAIGHT, SINGLE ROW

LOC. SIZE NUMERO (CONG NO)  
IA3C-280370

REV. M1  
FOGLIO (SHEET) 1 DI (OF) 1

DISTRIBUZIONE (PRINT DIST.)

# Mouser Electronics

Authorized Distributor

Click to View Pricing, Inventory, Delivery & Lifecycle Information:

[TE Connectivity:](#)

[280508-1](#)