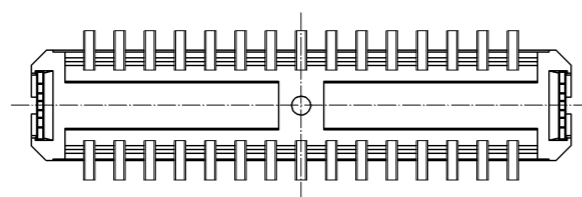
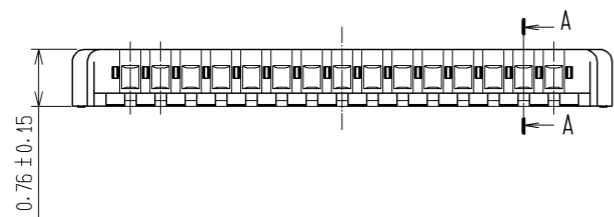
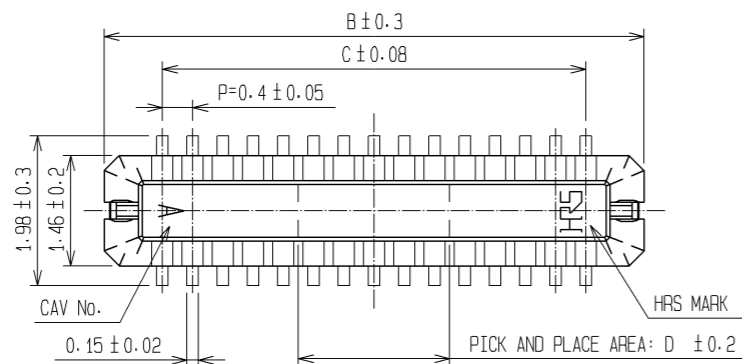
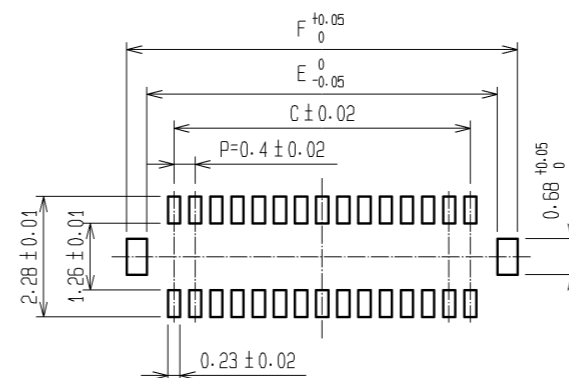


Aug.1.2020 Copyright 2020 HIROSE ELECTRIC CO., LTD. All Rights Reserved.
In case of consideration for using Automotive equipment / device which demand high reliability, kindly contact our sales window correspondents.



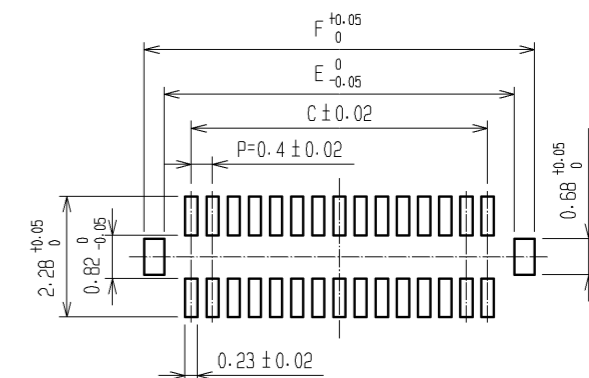
HRS DRAWING FOR REFERENCE

RECOMMENDED METAL MASK
OPENING PATTERN

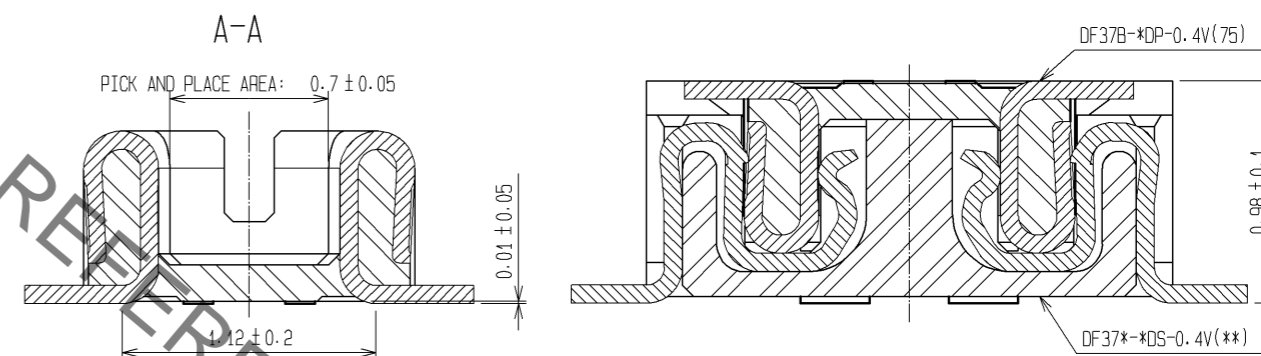


RECOMMENDED SOLDER PASTE THICKNESS: 120µm

RECOMMENDED PATTERN



ENGAGEMENT FIGURE



- NOTE 1. ALL LEADS CO-PLANARITY SHALL BE 0.1 MAX.
 2. PER REEL : 8000 CONNECTORS.
 3. AT THE BEGINNING OF THE REEL, 100 mm AT MIN SHALL BE EMPTY POCKETS.
 AT THE END OF THE REEL, 160 mm AT MIN SHALL BE EMPTY.

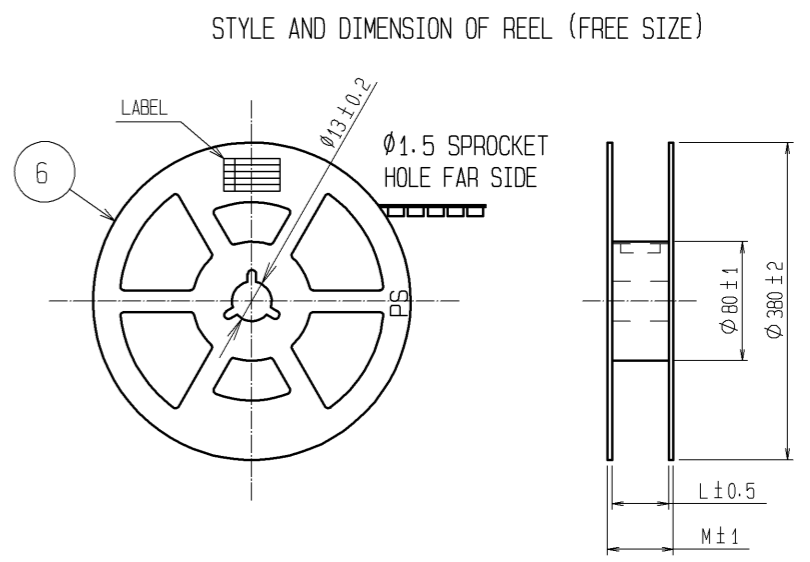
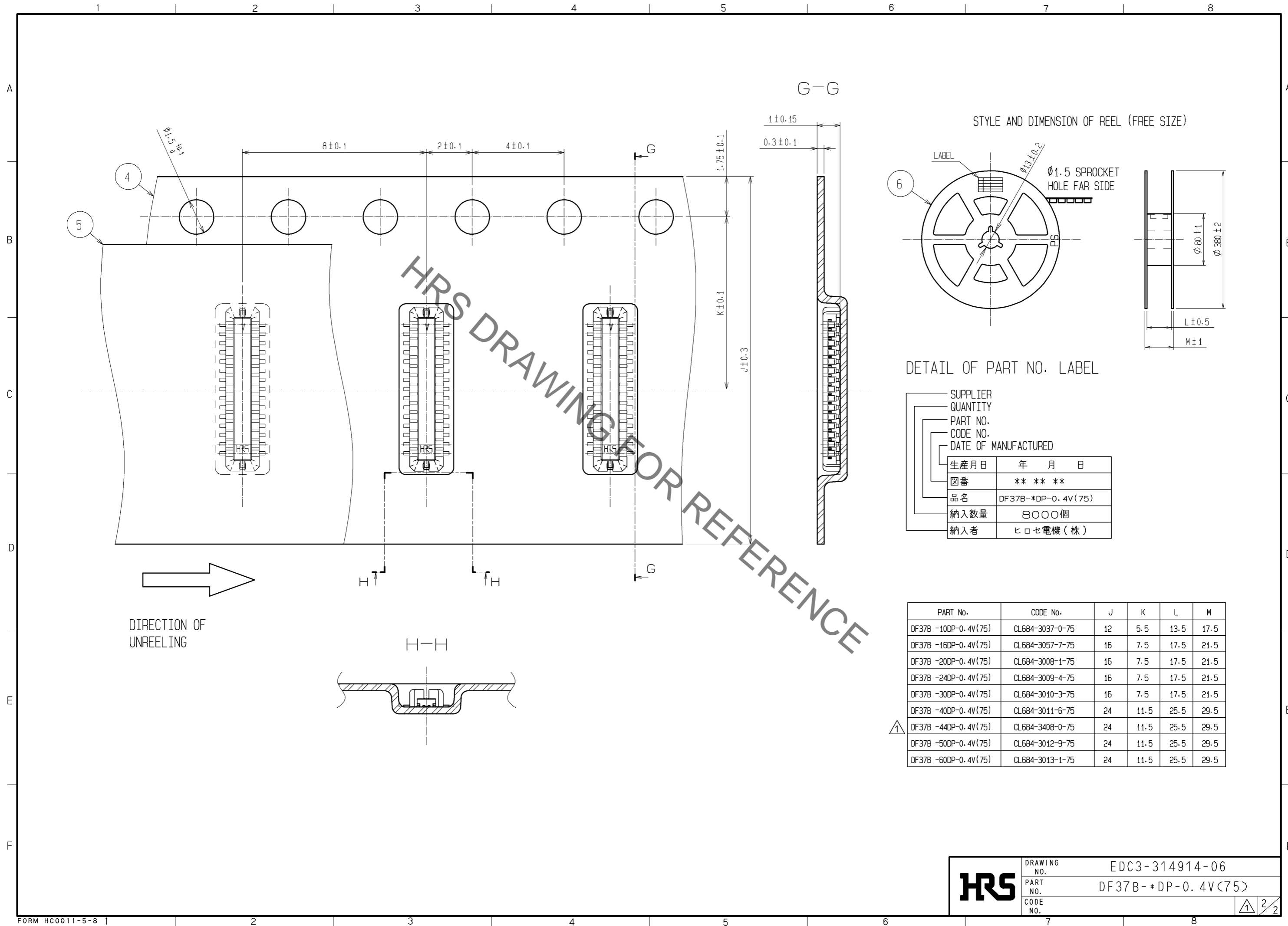
- 5 METAL HOLD DOWN PLATING SPECIFICATIONS.
 MOUNTING AREA: GOLD 0.05µm MIN.
 UNDERPLATING : NICKEL 1µm MIN.
 6. PEEL FORCE OF COVER TAPE REFERS TO JIS C 0806.

- 4 CONTACT PLATING SPECIFICATIONS.
 CONTACT AREA : GOLD 0.1µm MIN.
 SMT LEAD : GOLD 0.05µm MIN.
 UNDERPLATING : NICKEL 1µm MIN.
 (SURFACE : SEALING)

PART No.	CODE No.	B	C	D	E	F
DF37B -10DP-0.4V(75)	CL684-3037-0-75	3.14	1.6	0.8	2.62	3.38
DF37B -16DP-0.4V(75)	CL684-3057-7-75	4.34	2.8	1.2	3.82	4.58
DF37B -20DP-0.4V(75)	CL684-3008-1-75	5.14	3.6	1.6	4.62	5.38
DF37B -24DP-0.4V(75)	CL684-3009-4-75	5.94	4.4	2	5.42	6.18
DF37B -30DP-0.4V(75)	CL684-3010-3-75	7.14	5.6	2	6.62	7.38
DF37B -40DP-0.4V(75)	CL684-3011-6-75	9.14	7.6	2.4	8.62	9.38
DF37B -44DP-0.4V(75)	CL684-3408-0-75	9.94	8.4	2.8	9.42	10.18
DF37B -50DP-0.4V(75)	CL684-3012-9-75	11.14	9.6	2.8	10.62	11.38
DF37B -60DP-0.4V(75)	CL684-3013-1-75	13.14	11.6	3.2	12.62	13.38

3	PHOSPHOR BRONZE	5	6	PS	PLASTIC REEL (BLACK)		
2	PHOSPHOR BRONZE	4	5	POLYESTER	CLEAR(COVER TAPE)		
1	LCP	UL94V-0, BLACK	4	PS	CLEAR(EMBOSSED CARRIER TAPE)		
NO.	MATERIAL	FINISH, REMARKS	NO.	MATERIAL	FINISH, REMARKS		
UNITS	mm	SCALE	COUNT	DESCRIPTION OF REVISIONS	DESIGNED	CHECKED	DATE
		FREE	2	DIS-H-005494	KR. AJITO	TS. MIYAZAKI	11.02.04
APPROVED : MO. NAKAMURA		07.07.23	DRAWING NO.		EDC3-314914-06		
CHECKED : KH. IKEDA		07.07.23	PART NO.		DF37B-*DP-0.4V(75)		
DESIGNED : KY. MIDORIKAWA		07.07.23	CODE NO.				
DRAWN : KY. MIDORIKAWA		07.07.23					

Aug.1.2020 Copyright 2020 HIROSE ELECTRIC CO., LTD. All Rights Reserved.
 In case of consideration for using Automotive equipment / device which demand high reliability, kindly contact our sales window correspondents.



SUPPLIER
 QUANTITY
 PART NO.
 CODE NO.
 DATE OF MANUFACTURED

生産月日	年 月 日
図番	** ** *
品名	DF37B-*DP-0.4V(75)
納入数量	8000個
納入者	ヒロセ電機(株)

PART No.	CODE No.	J	K	L	M
DF37B -10DP-0.4V(75)	CL684-3037-0-75	12	5.5	13.5	17.5
DF37B -16DP-0.4V(75)	CL684-3057-7-75	16	7.5	17.5	21.5
DF37B -20DP-0.4V(75)	CL684-3008-1-75	16	7.5	17.5	21.5
DF37B -24DP-0.4V(75)	CL684-3009-4-75	16	7.5	17.5	21.5
DF37B -30DP-0.4V(75)	CL684-3010-3-75	16	7.5	17.5	21.5
DF37B -40DP-0.4V(75)	CL684-3011-6-75	24	11.5	25.5	29.5
DF37B -44DP-0.4V(75)	CL684-3408-0-75	24	11.5	25.5	29.5
DF37B -50DP-0.4V(75)	CL684-3012-9-75	24	11.5	25.5	29.5
DF37B -60DP-0.4V(75)	CL684-3013-1-75	24	11.5	25.5	29.5

HRS	DRAWING NO.	EDC3-314914-06
	PART NO.	DF37B-*DP-0.4V(75)
	CODE NO.	